

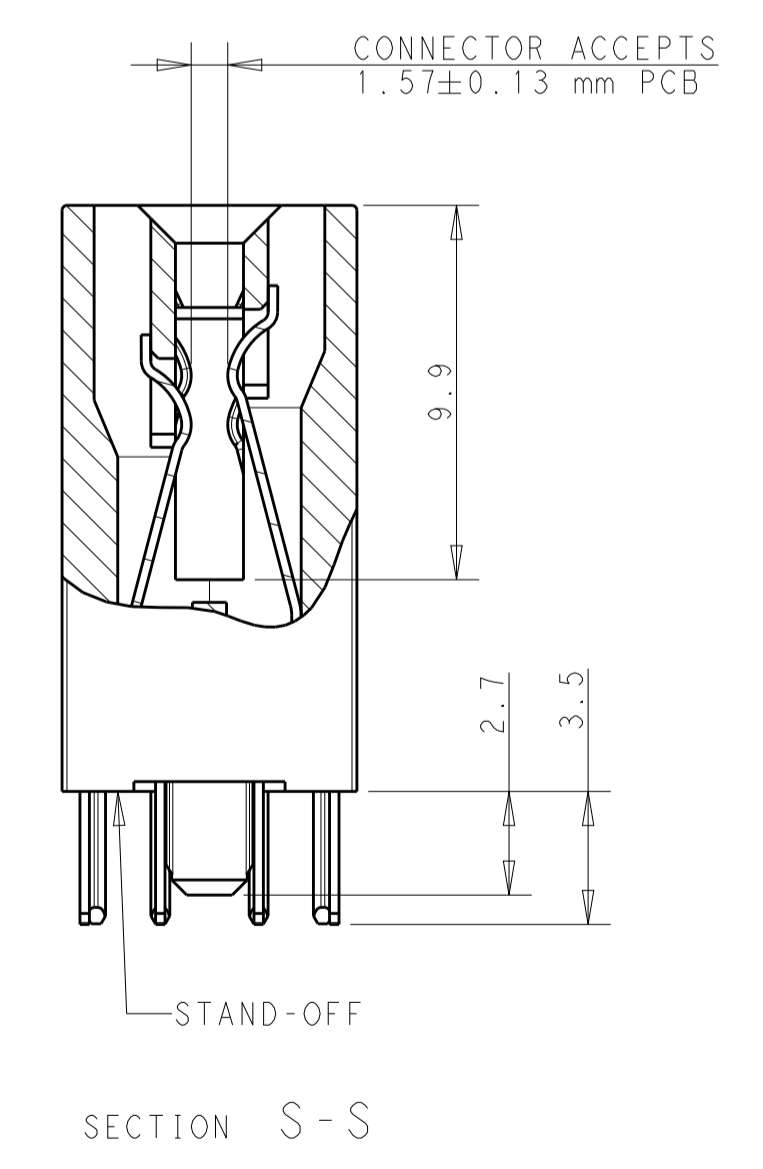
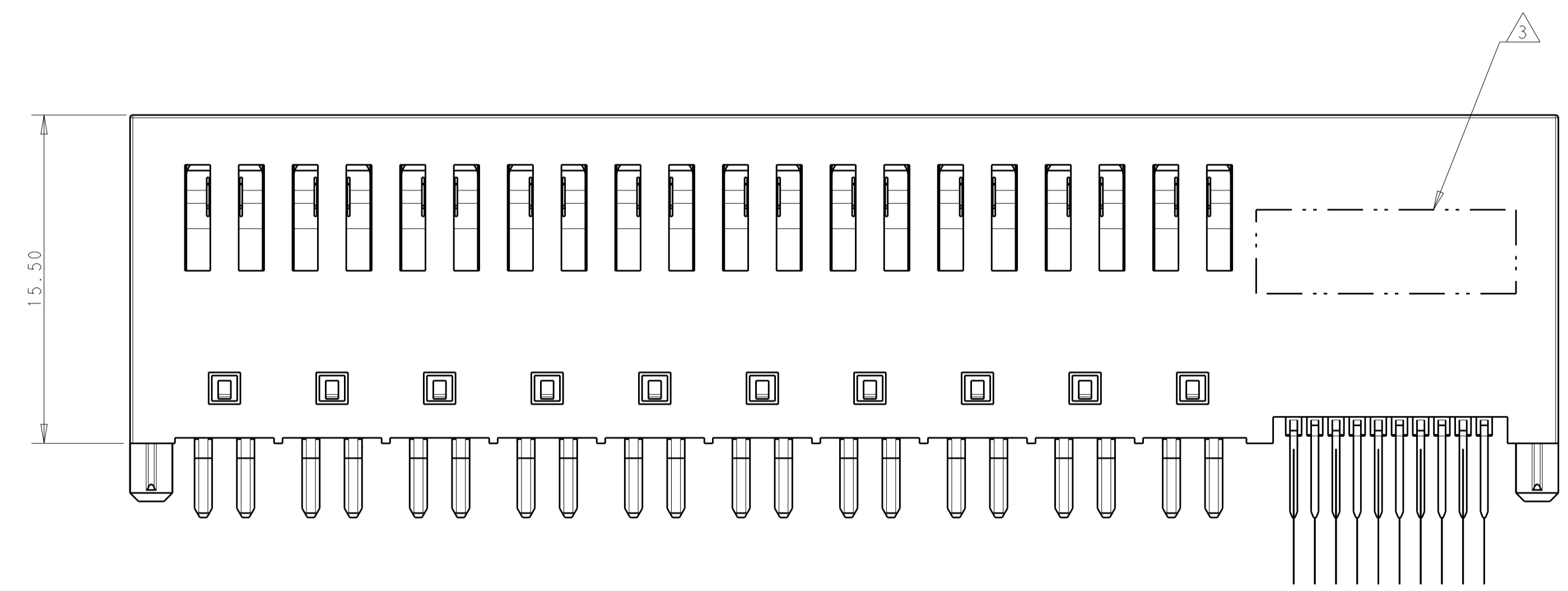
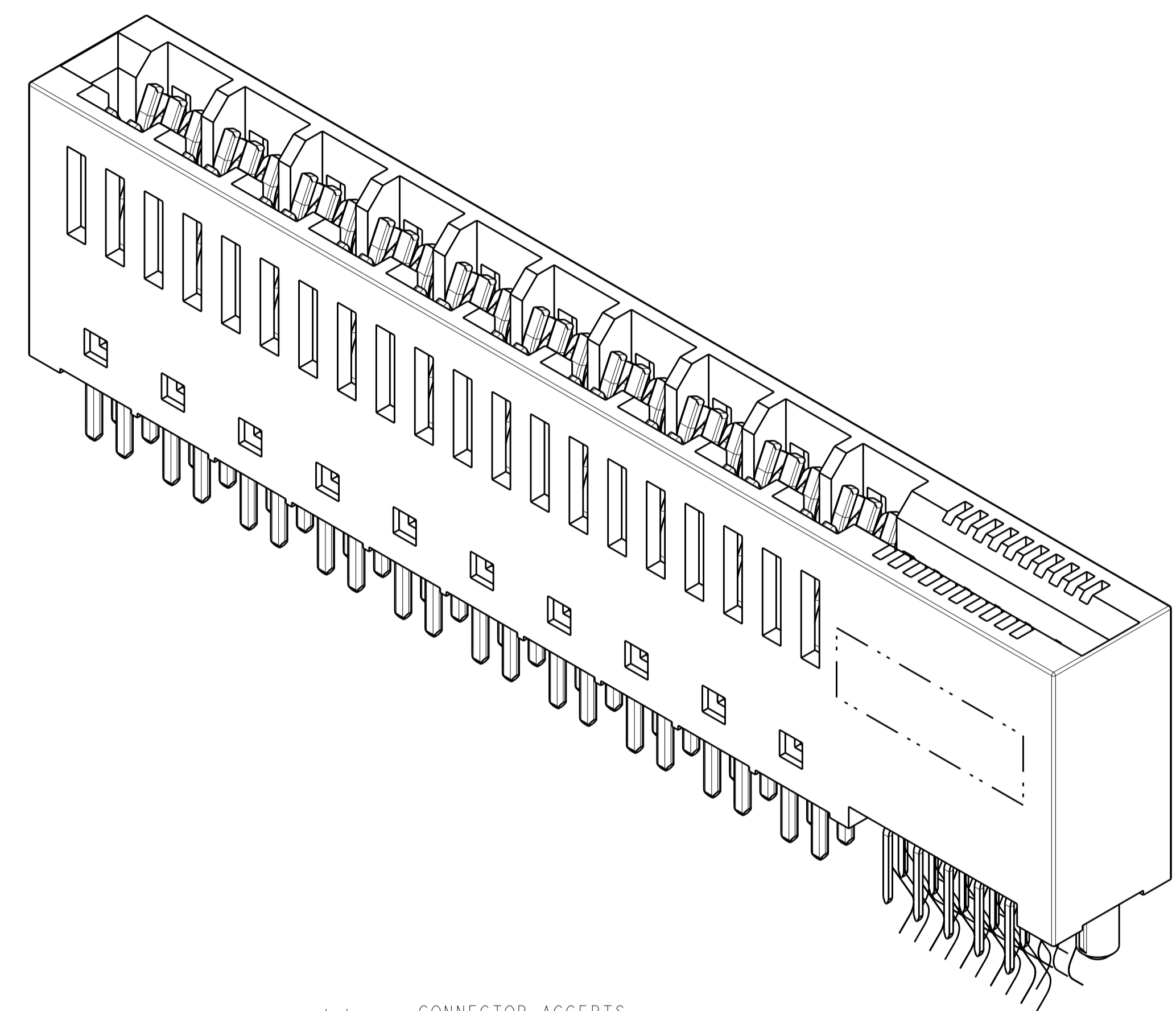
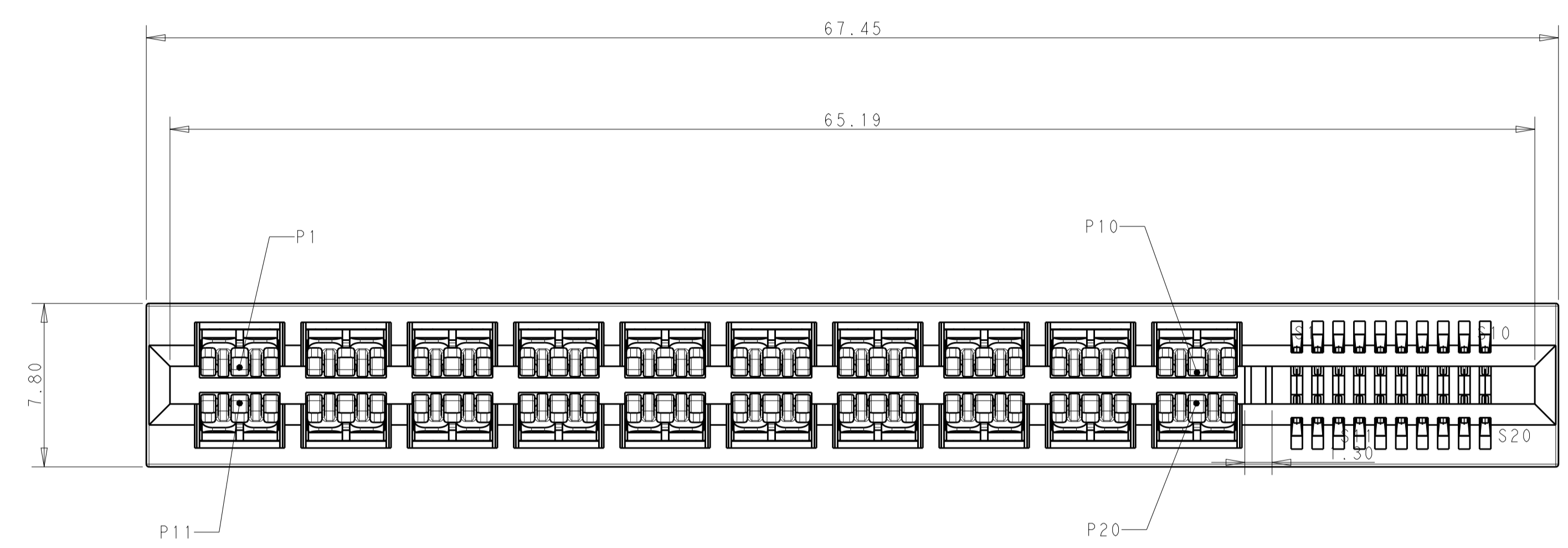
REVISIONS				
P.	LTN.	DESCRIPTION	DATE	APVD.
1		PROPOSAL	18OCT2018	SZ SZ

NOTES, UNLESS OTHERWISE SPECIFIED

1. MATERIAL:
 HOUSING - THERMOPLASTIC, GLASS PREINFORCED, COLOR, BLACK, UL 94V-0
 CONTACTS - COPPER ALLOY.

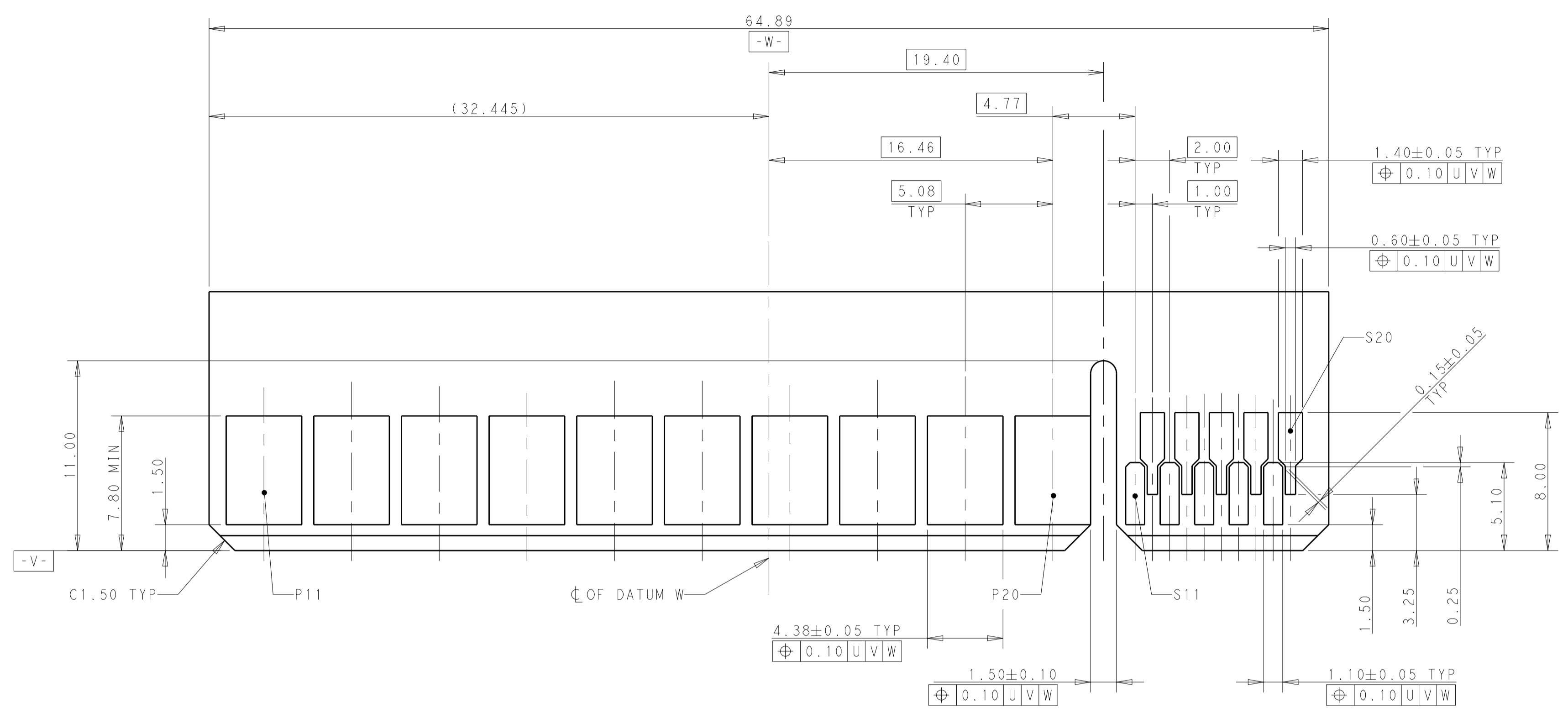
2. FINISH:
 MATING AREA - NOBLE METAL OVERALL NICKEL.
 SOLDER TAIL - MATTE TIN OVERALL NICKEL.

⚠️ MARK P/N AND DATA CODE IN APPROX. AREA AS SHOWN.

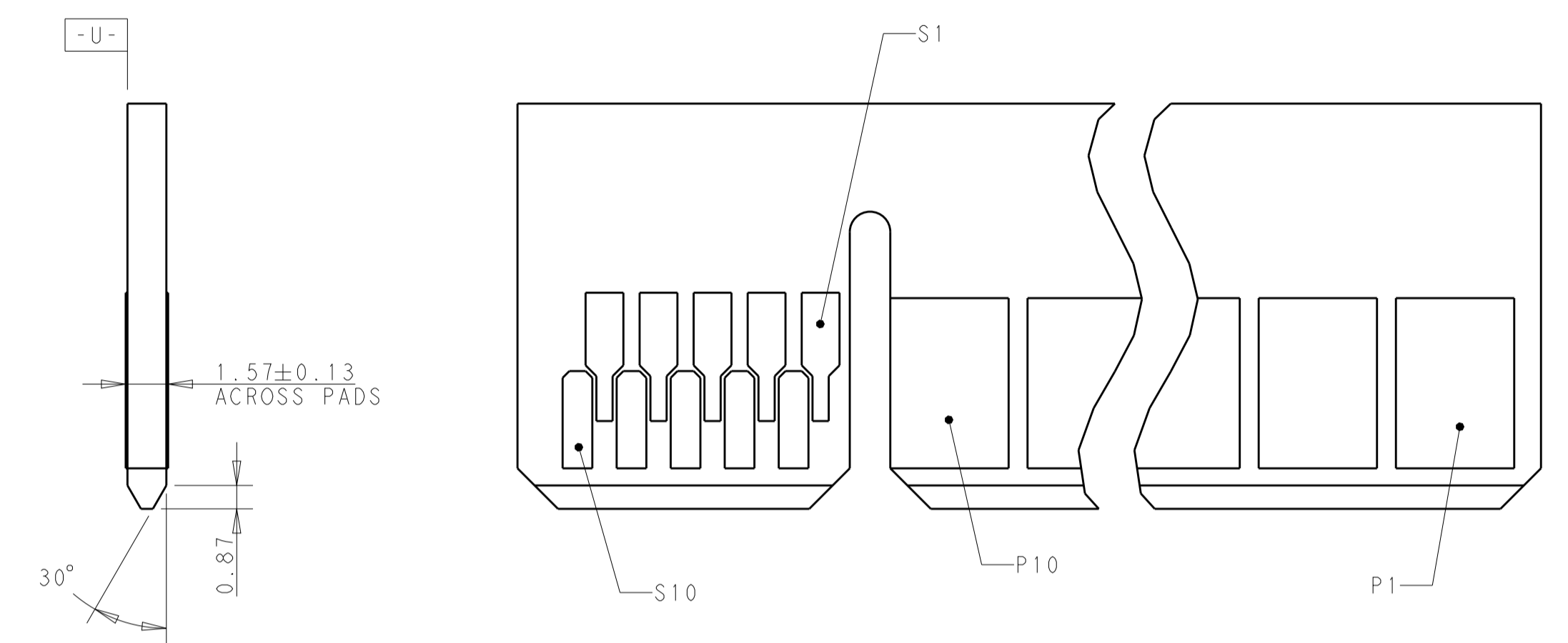


THIS DRAWING IS A CONTROLLED DOCUMENT.		DWN: SEAN_ZHANG	18OCT2018	PART NUMBER: 2345246-1	
DIMENSIONS: mm		CHK: SUNYI_ZHAO	18OCT2018	TE Connectivity	
TOLERANCES UNLESS OTHERWISE SPECIFIED:		APVD: SUNYI_ZHAO	18OCT2018	NAME: HD+ CARD EDGE VERTICAL, 2X10P-2X10S	
0 PLC	±0.50	PRODUCT SPEC		SIZE: A100779	
1 PLC	±0.25	APPLICATION SPEC		CAGE CODE: C=2345246	
2 PLC	±0.25			RESTRICTED TO: -	
3 PLC	±0.25			SCALE: 5:1	
4 PLC	±0.25			SHEET 1 OF 2	
ANGLES	±0.25			REV: A	
MATERIAL: SEE NOTE	FINISH: SEE NOTE	WEIGHT: -		CUSTOMER DRAWING	

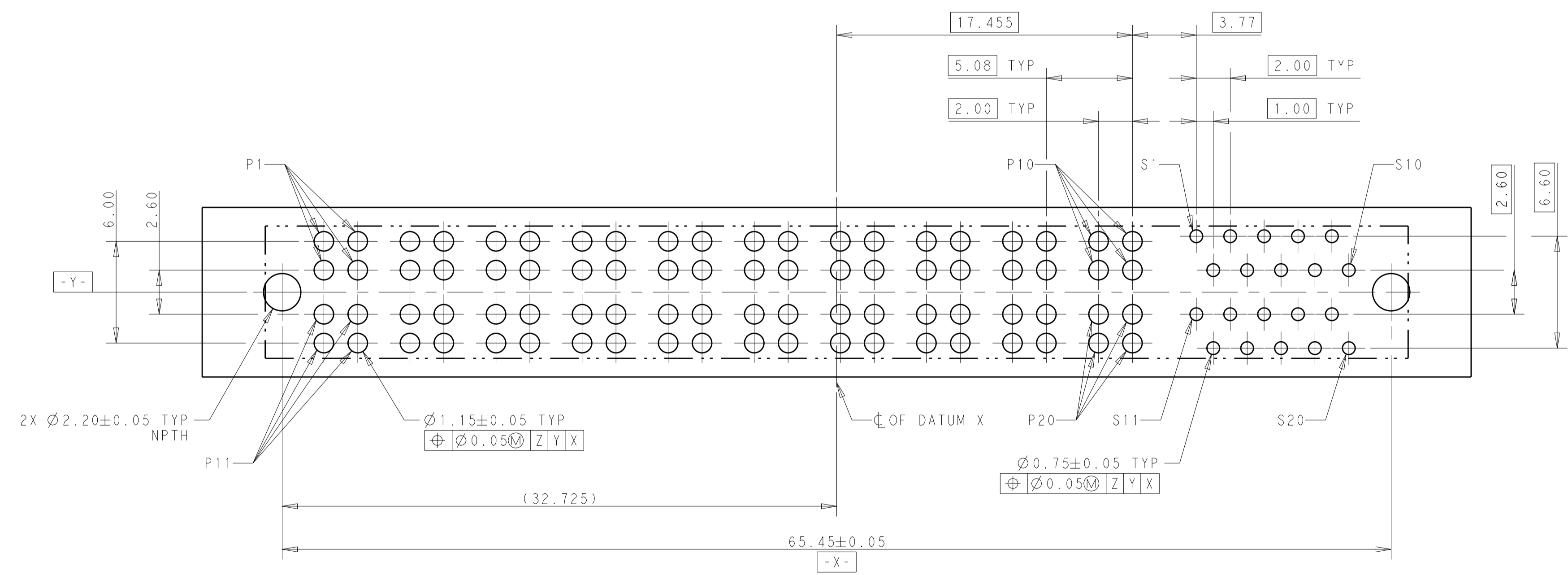
REVISIONS				
P.	LTN.	DESCRIPTION	DATE	APVD.
-	-	SEE SHEET 1	-	-



RECOMMENDED MATING BOARD EDGE CONFIGURATION (PRIMARY SIDE SHOWN)



RECOMMENDED MATING BOARD EDGE CONFIGURATION (SECONDARY SIDE SHOWN)



RECOMMENDED MOUNTING BOARD CONFIGURATION LAYOUT VIEW FROM COMPONENT SIDE

- NOTES FOR MOUNTING BOARD, UNLESS OTHERWISE SPECIFIED:
1. PLATED THROUGH HOLE, SIGNAL:
FINISHED HOLE SIZE: 0.75mm.
DRILL HOLE SIZE: 0.85±0.025mm.
 2. PLATED THROUGH HOLE, POWER:
FINISHED HOLE SIZE: 1.15mm.
DRILL HOLE SIZE: 1.25±0.025mm.
 3. COPPER PLATING THICKNESS: 0.025-0.05mm.
 4. SURFACE FINISH: OSP OR IMMERSION TIN PLATING IS RECOMMENDED.

THIS DRAWING IS A CONTROLLED DOCUMENT.		DWN: SEAN_ZHANG 18OCT2018	TE Connectivity
DIMENSIONS: mm		CHK: SUNY_ZHAO 18OCT2018	
0 PLC ±0.20 1 PLC ±0.10 2 PLC ±0.10 3 PLC ±0.10 4 PLC ±0.10 ANGLES ±0.10		TOLERANCES UNLESS OTHERWISE SPECIFIED:	NAME: HD+ CARD EDGE VERTICAL, 2X10P-2X10S
MATERIAL: SEE NOTE		FINISH: SEE NOTE	APVD: SUNY_ZHAO 18OCT2018
SEE NOTE		SEE NOTE	PRODUCT SPEC
SEE NOTE		SEE NOTE	APPLICATION SPEC
SEE NOTE		SEE NOTE	RESTRICTED TO
SEE NOTE		SEE NOTE	SIZE: A100779
SEE NOTE		SEE NOTE	CAGE CODE: 2345246
SEE NOTE		SEE NOTE	SCALE: 5:1
SEE NOTE		SEE NOTE	SHEET: 2 OF 2
SEE NOTE		SEE NOTE	REV: A