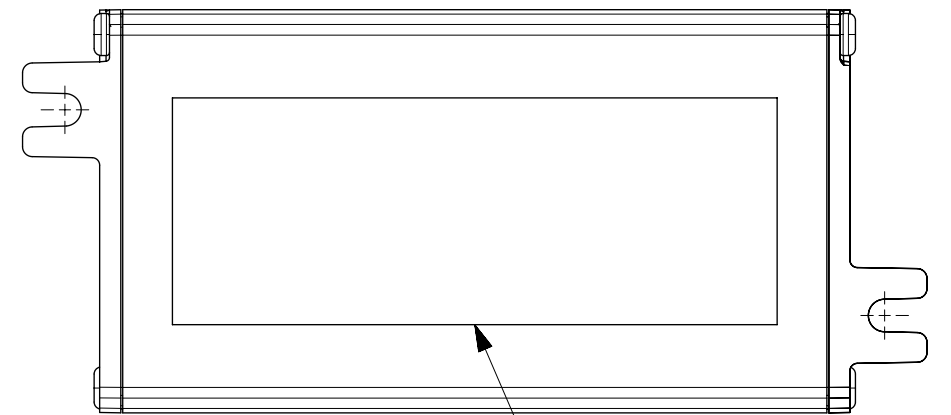
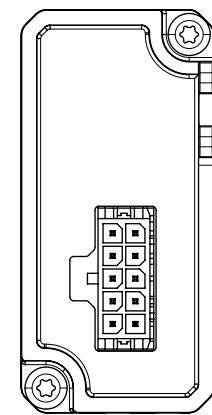
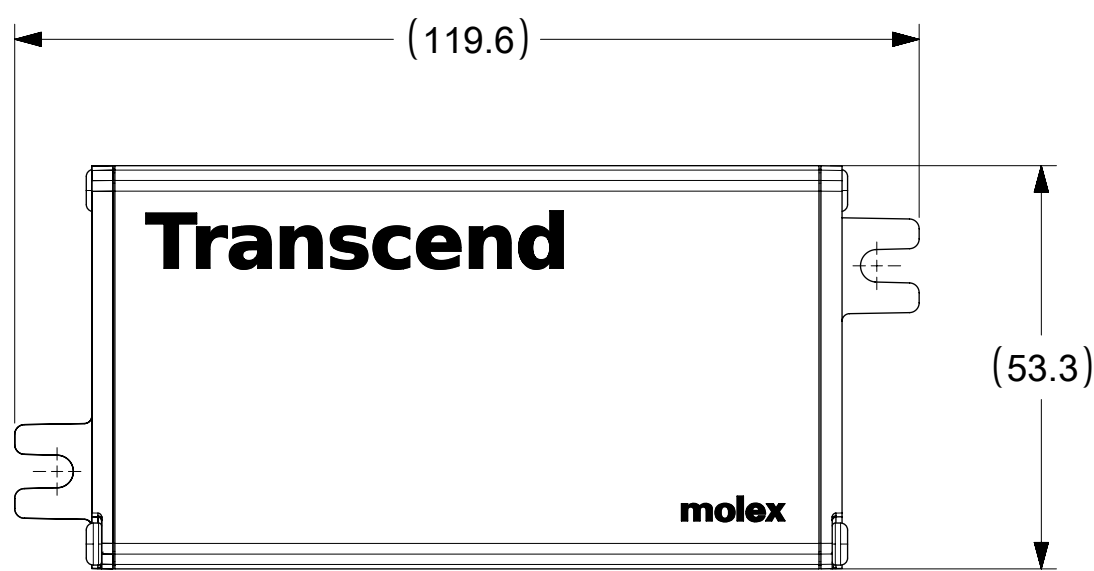
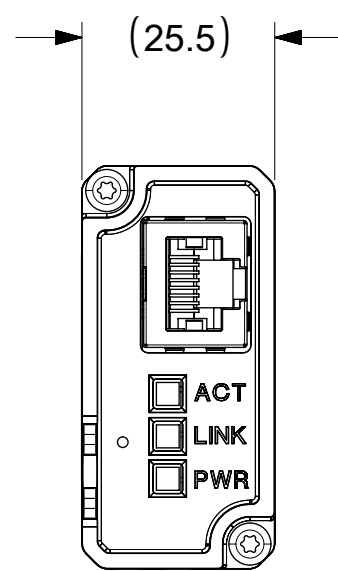


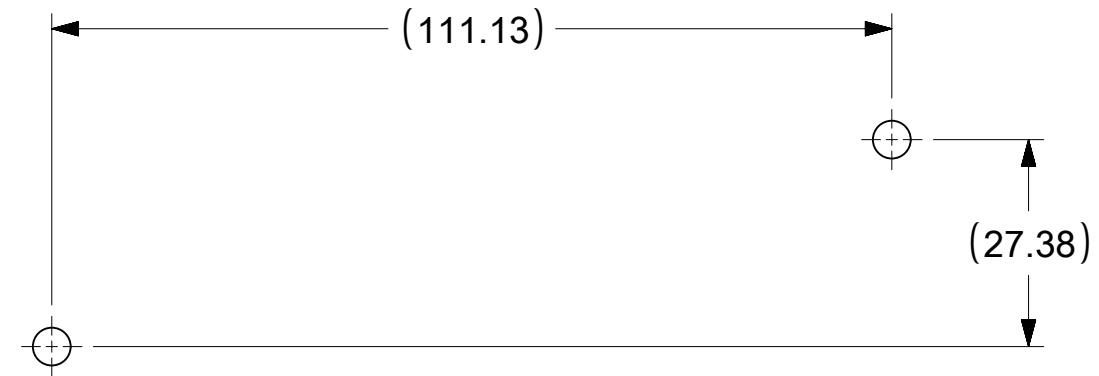
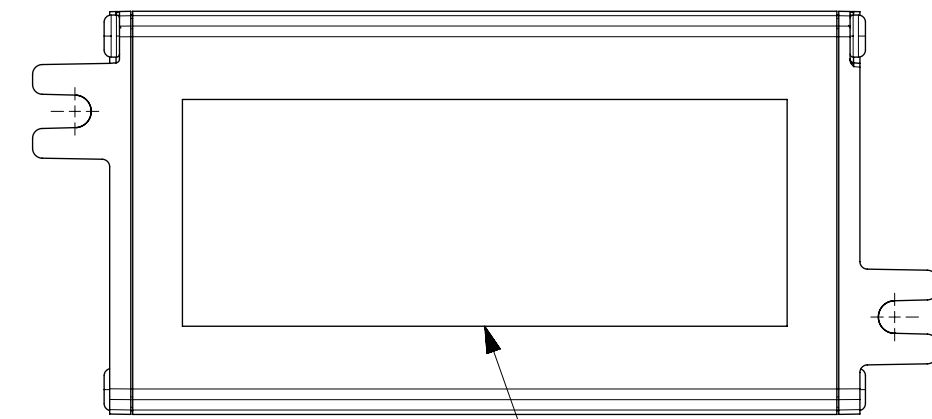
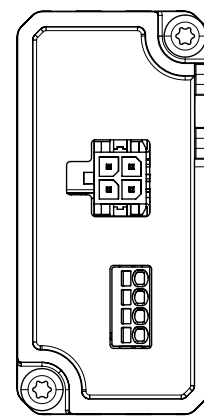
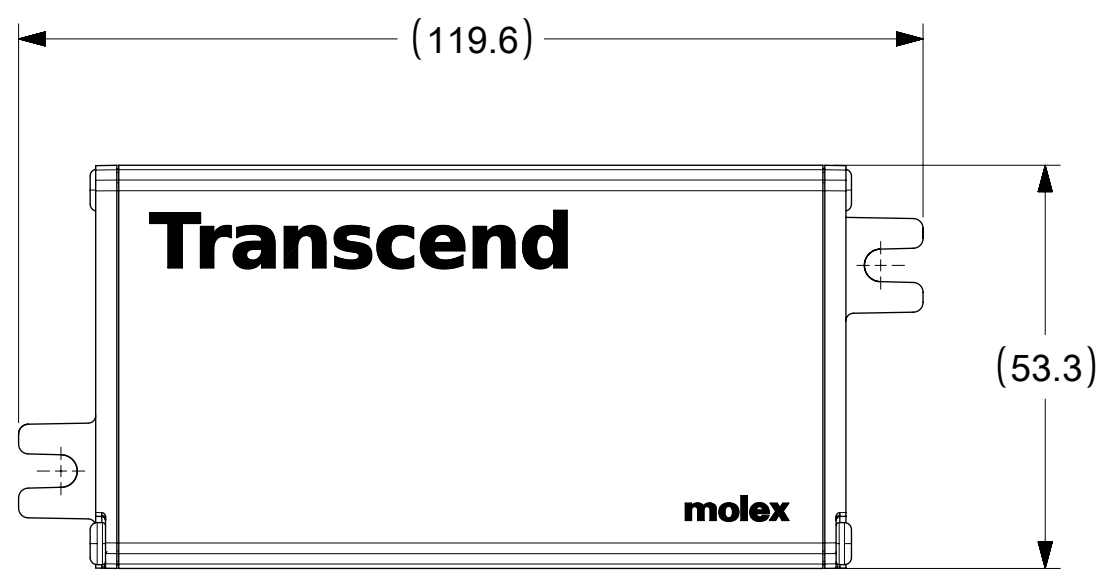
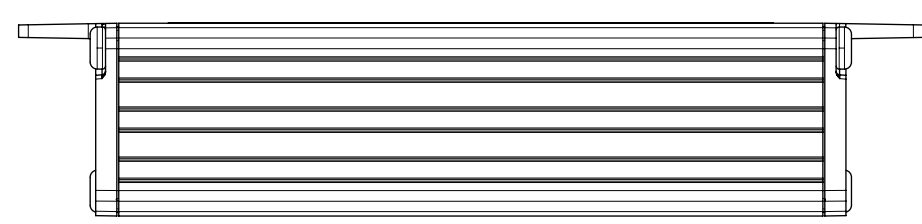
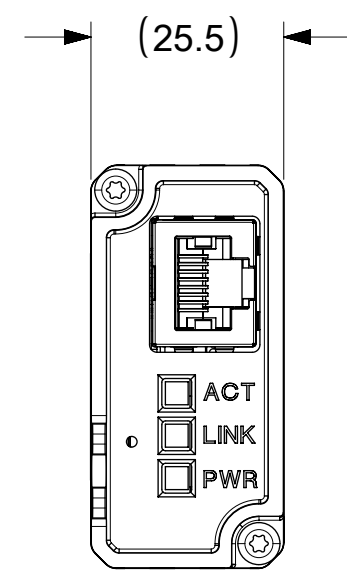
MOUNTING HOLE LOCATION
HOLES FOR A #8-32 SELF TAPPING SCREW



ETL LABEL

- NOTES:
 1. HOUSING EXTRUSION
 MATERIAL: ANODIZED ALUMINUM
 2. DIE CAST END CAP LEFT & RIGHT
 MATERIAL: ALUMINUM, A380
 FINISH: a. TEXTURED POWDER COAT, BLACK
 b. GREY WET PAINT

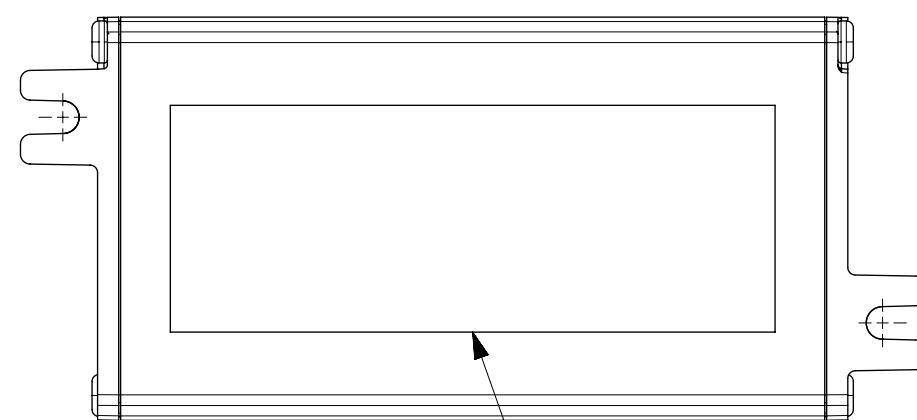
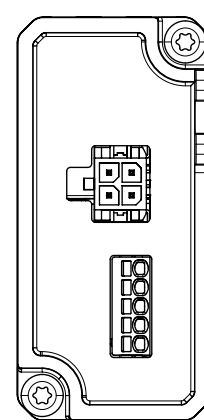
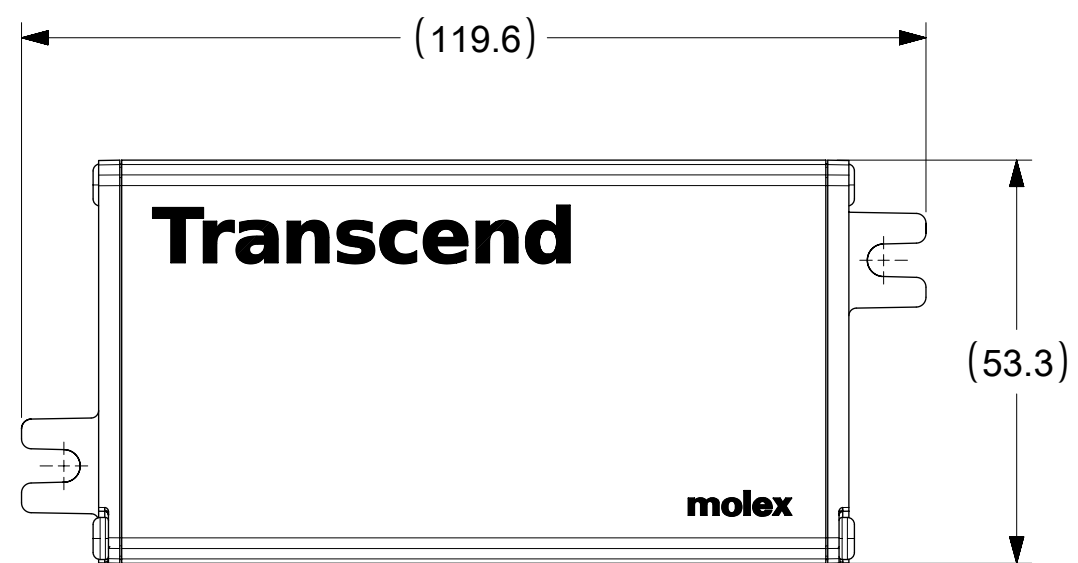
THIS DRAWING CONTAINS INFORMATION THAT IS PROPRIETARY TO MOLEX ELECTRONIC TECHNOLOGIES, LLC AND SHOULD NOT BE USED WITHOUT WRITTEN PERMISSION												
SYMBOLS	DIMENSION UNITS	SCALE	CURRENT REV DESC:			molex						
▽ = 0	mm	1:1	EC NO: 602526 DRWN: GALLEN02 2017/12/12 CHK'D: MDEVITO 2018/10/02 APPR: JAGRO 2018/10/03			POE GATEWAYS STAND ALONE ASSY						
▽ = 0	GENERAL TOLERANCES (UNLESS SPECIFIED)									INITIAL REVISION:		
▽ = 0	ANGULAR TOL ± °					DRWN: GALLEN02 2017/12/12			1809930001	PSD	000	A
▽ = 0	4 PLACES ±		APPR: JAGRO 2018/10/03			MATERIAL NUMBER	CUSTOMER	SHEET NUMBER	1 OF 4			
▽ = 0	3 PLACES ±		DRWN: GALLEN02 2017/12/12							1809930001	GENERAL MARKET	1 OF 4
▽ = 0	2 PLACES ± 0.25		APPR: JAGRO 2018/10/03			1809930001	GENERAL MARKET	1 OF 4	1 OF 4			
▽ = 0	1 PLACE ± 0.5		DRAFT WHERE APPLICABLE MUST REMAIN WITHIN DIMENSIONS			180993	GENERAL MARKET	1 OF 4	1 OF 4			
▽ = 0	0 PLACES ±		THIRD ANGLE PROJECTION			C-SIZE	180993	1809930001	GENERAL MARKET	1 OF 4		



MOUNTING HOLE LOCATION
HOLES FOR A #8-32 SELF TAPPING SCREW

ETL LABEL

180993-2011, -2012, -2021, -2022



ETL LABEL

180993-2041, -2042

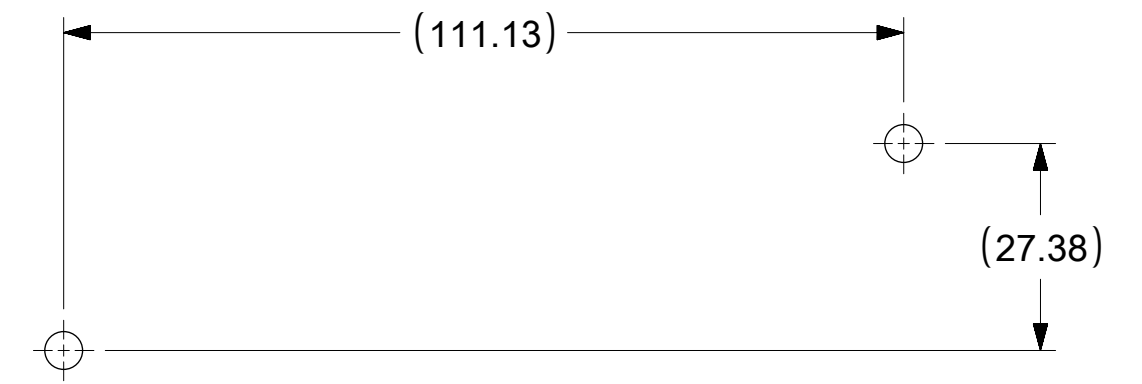
- NOTES:
- HOUSING EXTRUSION
MATERIAL: ANODIZED ALUMINUM
 - DIE CAST END CAP LEFT & RIGHT
MATERIAL: ALUMINUM, A380
FINISH: a. TEXTURED POWDER COAT, BLACK
b. GREY WET PAINT

THIS DRAWING CONTAINS INFORMATION THAT IS PROPRIETARY TO MOLEX ELECTRONIC TECHNOLOGIES, LLC AND SHOULD NOT BE USED WITHOUT WRITTEN PERMISSION										
SYMBOLS	DIMENSION UNITS	SCALE	CURRENT REV DESC:			molex				
▽ = 0	mm	1:1	EC NO: 602526 DRWN: GALLEN02 2017/12/12 CHK'D: MDEVITO 2018/10/02 APPR: JAGRO 2018/10/03			POE Gateways STAND ALONE ASSY				
▽ = 0	GENERAL TOLERANCES (UNLESS SPECIFIED)									PRODUCT CUSTOMER DRAWING
▽ = 0	ANGULAR TOL ± °					DOCUMENT NUMBER				
▽ = 0	4 PLACES	±	INITIAL REVISION:			1809930001		PSD	000	A
▽ = 0	3 PLACES	±	DRWN: GALLEN02 2017/12/12			MATERIAL NUMBER		CUSTOMER		SHEET NUMBER
▽ = 0	2 PLACES	± 0.25	APPR: JAGRO 2018/10/03			180993		GENERAL MARKET		2 OF 4
▽ = 0	1 PLACE	± 0.5	THIRD ANGLE PROJECTION			DRAWING		SERIES		
▽ = 0	0 PLACES	±	DRAFT WHERE APPLICABLE MUST REMAIN WITHIN DIMENSIONS			C-SIZE				

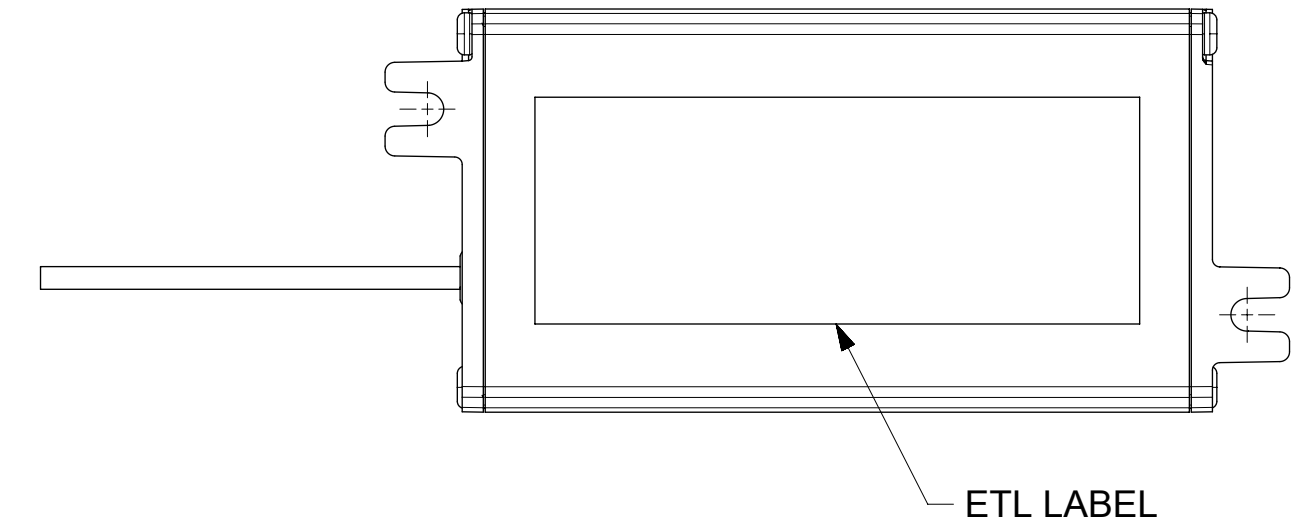
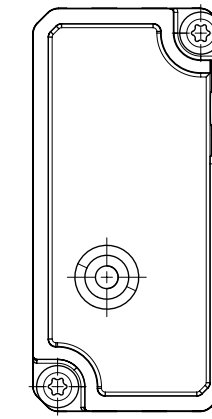
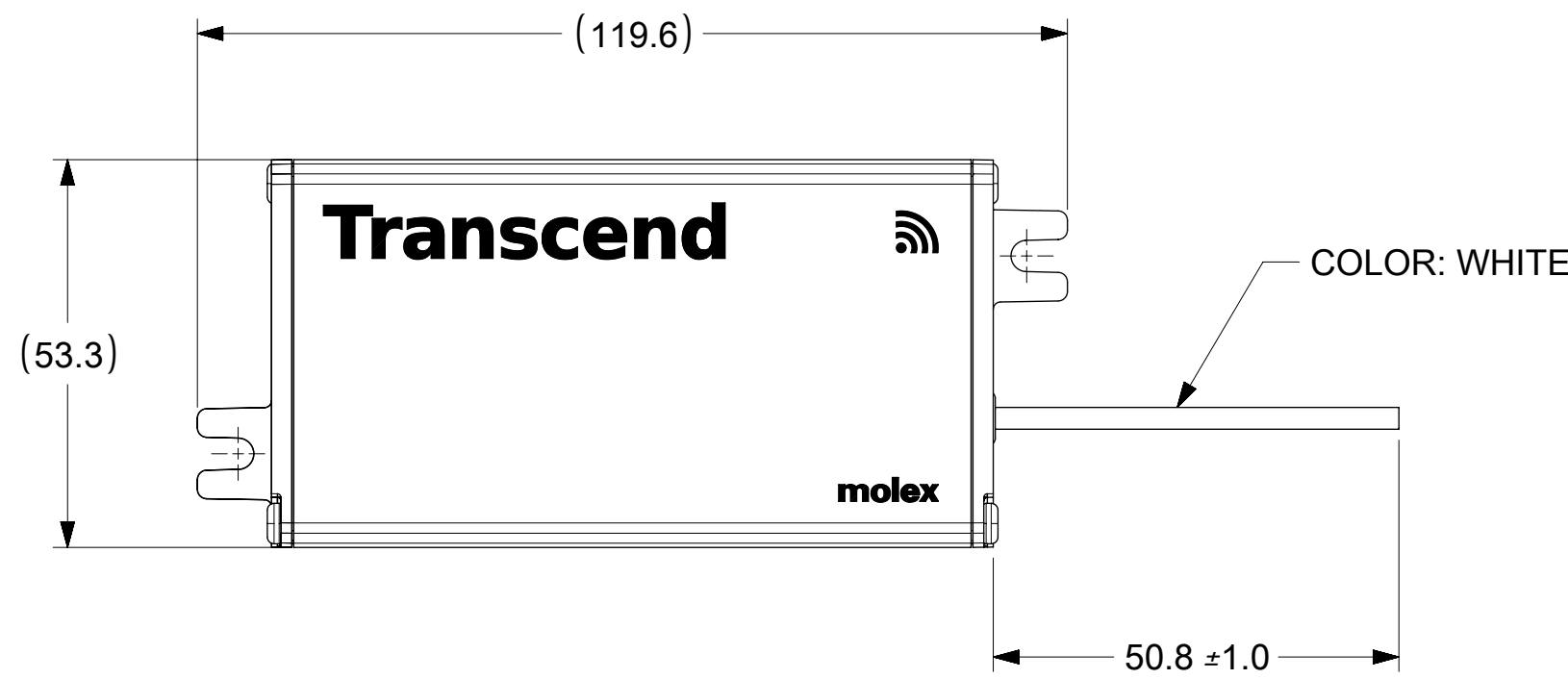
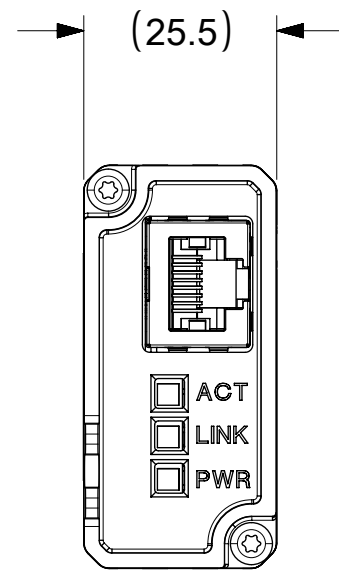
DOCUMENT STATUS	P1	RELEASE DATE	2018/10/03	14:00:48
-----------------	----	--------------	------------	----------



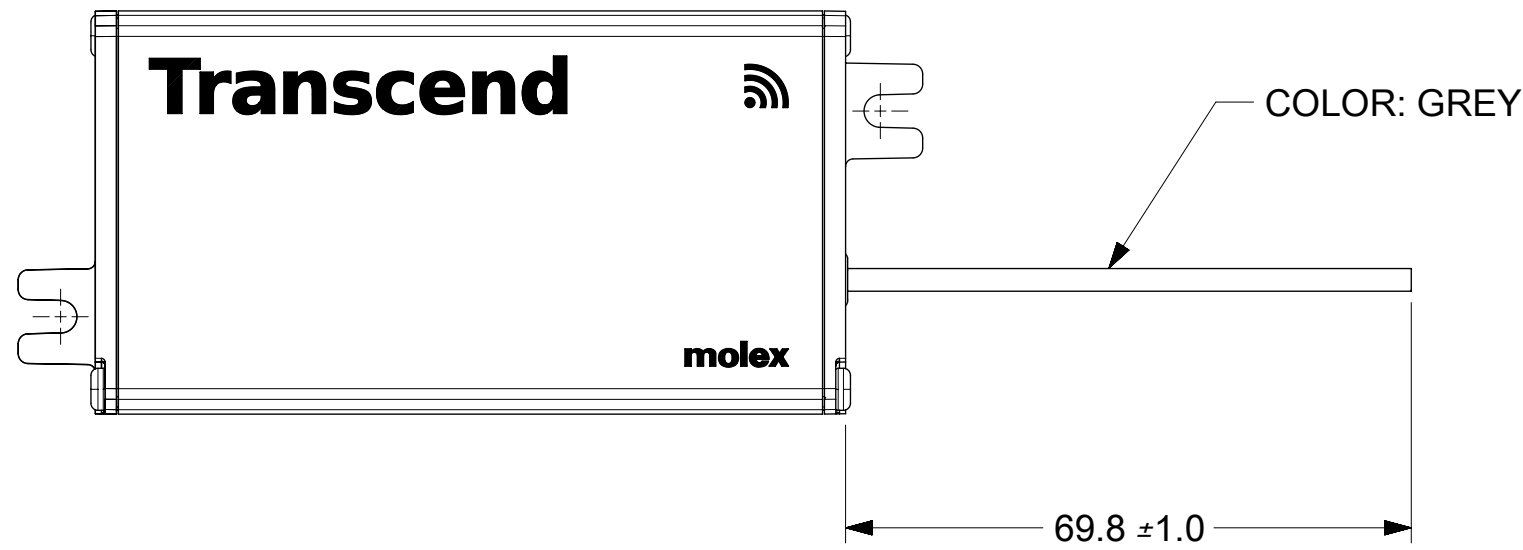
180993-3001



MOUNTING HOLE LOCATION
HOLES FOR A #8-32 SELF TAPPING SCREW



ETL LABEL



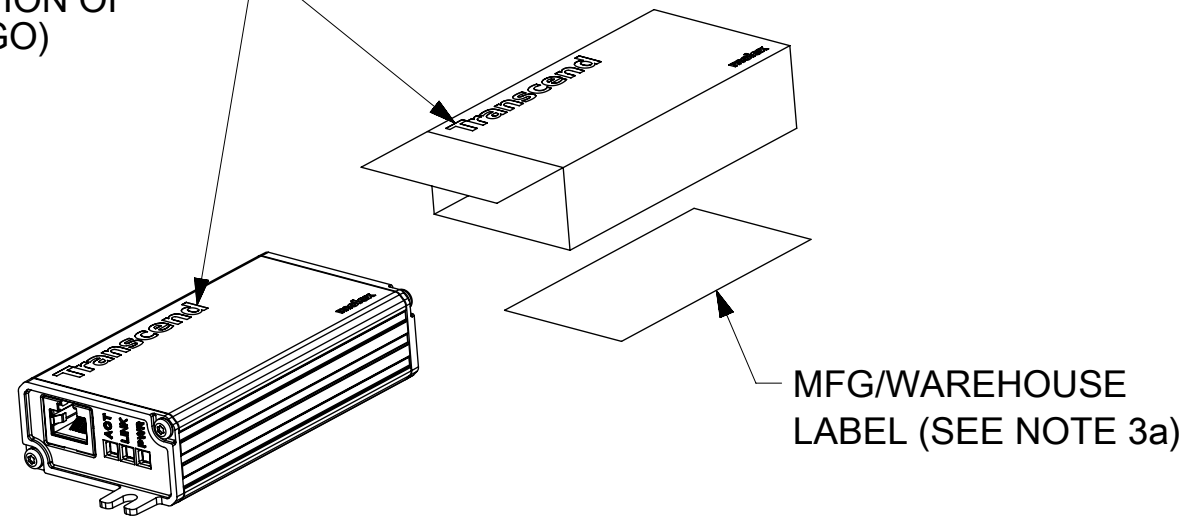
180993-3002

- NOTES:
 1. HOUSING EXTRUSION
 MATERIAL: ANODIZED ALUMINUM
 2. DIE CAST END CAP LEFT & RIGHT
 MATERIAL: ALUMINUM, A380
 FINISH: a. TEXTURED POWDER COAT, BLACK
 b. GREY WET PAINT

THIS DRAWING CONTAINS INFORMATION THAT IS PROPRIETARY TO MOLEX ELECTRONIC TECHNOLOGIES, LLC AND SHOULD NOT BE USED WITHOUT WRITTEN PERMISSION									
SYMBOLS	DIMENSION UNITS	SCALE	CURRENT REV DESC:						
▽ = 0	mm	1:1							
▽ = 0	GENERAL TOLERANCES (UNLESS SPECIFIED)					INITIAL REVISION: DRWN: GALLEN02 2017/12/12 APPR: JAGRO 2018/10/03			
▽ = 0	ANGULAR TOL ± °								
▽ = 0	4 PLACES ±					MATERIAL NUMBER: 180993 CUSTOMER: GENERAL MARKET SHEET NUMBER: 3 OF 4			
▽ = 0	3 PLACES ±								
▽ = 0	2 PLACES ± 0.25					THIRD ANGLE PROJECTION DRAWING: C-SIZE SERIES: 180993			
▽ = 0	1 PLACE ± 0.5								
▽ = 0	0 PLACES ±					THIRD ANGLE PROJECTION DRAWING: C-SIZE SERIES: 180993			
▽ = 0	DRAFT WHERE APPLICABLE MUST REMAIN WITHIN DIMENSIONS								
▽ = 0						THIRD ANGLE PROJECTION DRAWING: C-SIZE SERIES: 180993			

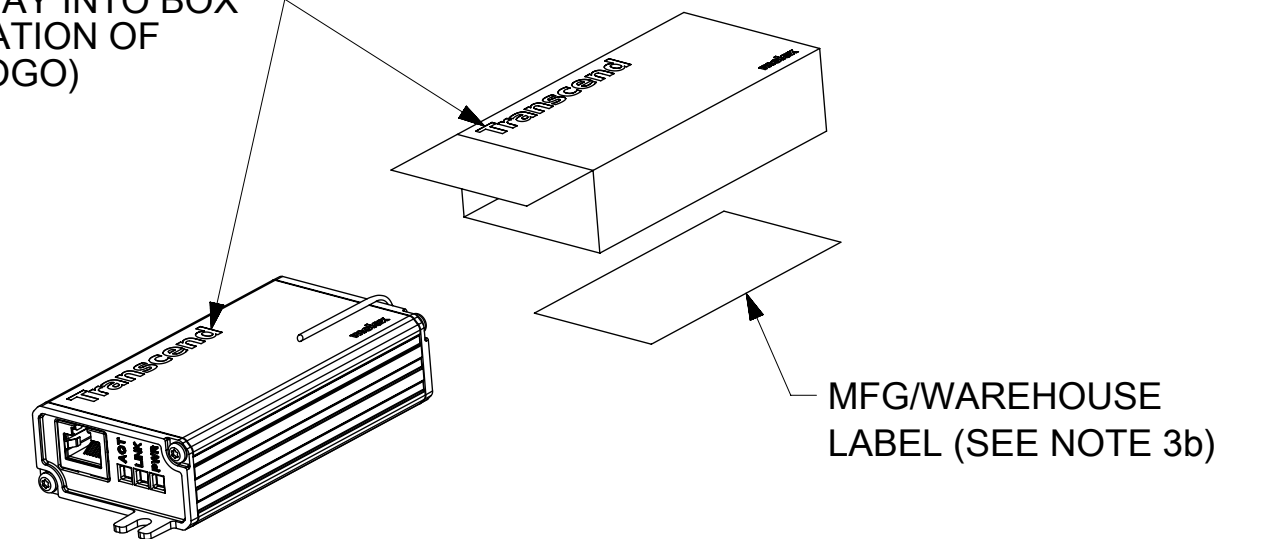
DOCUMENT STATUS	P1	RELEASE DATE	2018/10/03	14:00:48
-----------------	----	--------------	------------	----------

INSERT GATEWAY INTO BOX
(NOTE ORIENTATION OF
TRANSCEND LOGO)

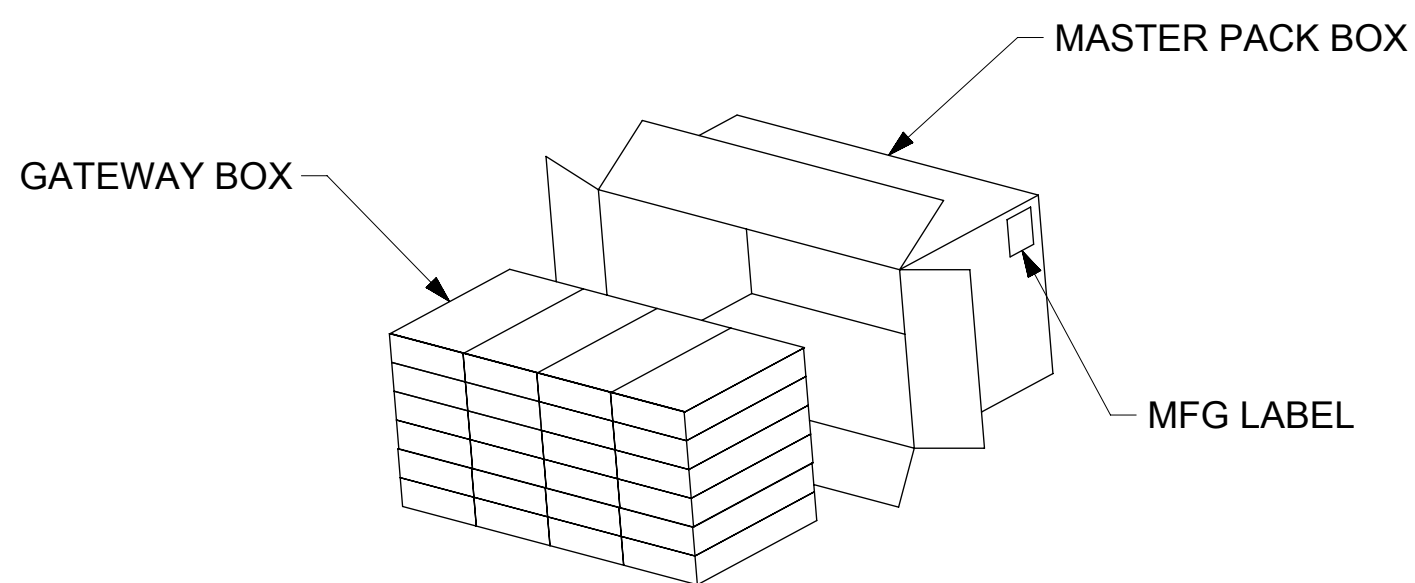


180993-0001, -2011, -2012, -2021, -2022,
-2041, -2042

INSERT GATEWAY INTO BOX
(NOTE ORIENTATION OF
TRANSCEND LOGO)



180993-3001, 180993-3002



NOTES:

1. PLACE GATEWAY ASSEMBLY INTO BOX AS SHOWN.
2. PLACE 24 GATEWAY BOXES INTO MASTERPACK.
3. INSTRUCTION SHEETS CAN BE FOUND AT DIRECTORIES BELOW:

- a. http://www.literature.molex.com/SQLImages/kelmscott/Molex/PDF_Images/987651-5631.pdf
- b. http://www.literature.molex.com/SQLImages/kelmscott/Molex/PDF_Images/987651-6392.pdf

THIS DRAWING CONTAINS INFORMATION THAT IS PROPRIETARY TO MOLEX ELECTRONIC TECHNOLOGIES, LLC AND SHOULD NOT BE USED WITHOUT WRITTEN PERMISSION										
SYMBOLS	DIMENSION UNITS	SCALE	CURRENT REV DESC:			molex				
▽ = 0	mm	1:1	EC NO: 602526 DRWN: GALLEN02 2017/12/12 CHK'D: MDEVITO 2018/10/02 APPR: JAGRO 2018/10/03			POE GATEWAYS STAND ALONE ASSY				
▽ = 0	GENERAL TOLERANCES (UNLESS SPECIFIED)									PRODUCT CUSTOMER DRAWING
▽ = 0	ANGULAR TOL ± °					DOCUMENT NUMBER			DOC TYPE	DOC PART
▽ = 0	4 PLACES	±	INITIAL REVISION:			1809930001		PSD	000	A
▽ = 0	3 PLACES	±	DRWN: GALLEN02 2017/12/12			MATERIAL NUMBER		CUSTOMER	SHEET NUMBER	
▽ = 0	2 PLACES	± 0.25	APPR: JAGRO 2018/10/03			180993		GENERAL MARKET	4 OF 4	
▽ = 0	1 PLACE	± 0.5	DRAFT WHERE APPLICABLE MUST REMAIN WITHIN DIMENSIONS			THIRD ANGLE PROJECTION		DRAWING	SERIES	
▽ = 0	0 PLACES	±	C-SIZE							

DOCUMENT STATUS	P1	RELEASE DATE	2018/10/03	14:00:48
-----------------	----	--------------	------------	----------