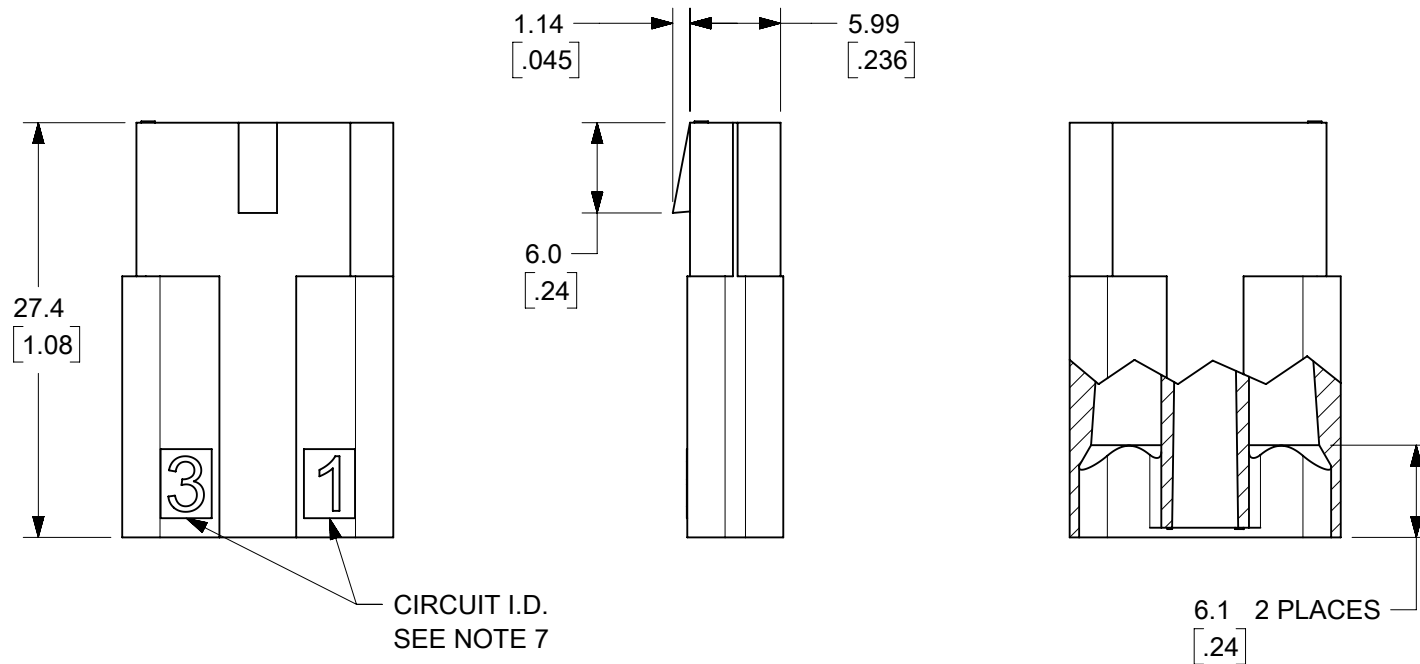


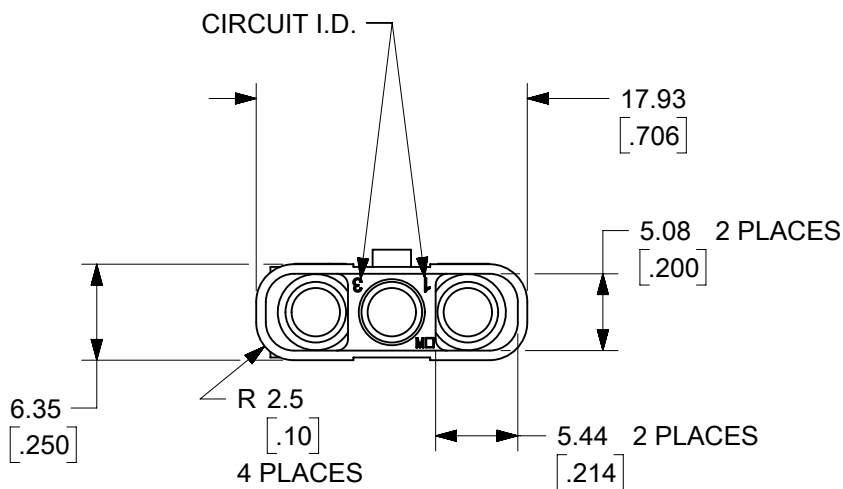
RECEPTACLE
POSITIVE LOCK RAMP VERSION

SCALE 3:1



NOTES:

1. MATERIAL: NYLON 66, UL94V-2, COLOR: NATURAL.
2. FINISH: NONE
3. PRODUCT SPECIFICATION: NONE
4. PACKAGING SPECIFICATION: PK-6496-001.
5. THIS HOUSING IS FOR USE WITH MOLEX .093/(2.36) DIA. SERIES TERMINALS AND MATES WITH THE 1396-P* AND 42191-P* HOUSINGS.
6. THIS HOUSING IS PRIMARILY INTENDED FOR USE WITH APPLICATIONS USING 18 AWG, SPT-3 POWER CORDS. WHEN USING SPT-3 WIRE, TERMINALS CRIMPED TO THE OUTER CONDUCTORS (HAVING THE D-SHAPED INSULATION) ARE TO BE INSERTED IN CIRCUITS 1 & 3.
7. CIRCUIT I.D. ON THIS SURFACE MAY OR MAY NOT BE PRESENT, DEPENDING ON AGE OF TOOL.
8. PARTS CONFORM TO CLASS B REQUIREMENTS OF COSMETIC SPECIFICATION PS-45499-002.



RECEPTACLE	
PART NO.	ENG. NO.
03-09-1030	6496-3RB

THIS DRAWING CONTAINS INFORMATION THAT IS PROPRIETARY TO MOLEX ELECTRONIC TECHNOLOGIES, LLC AND SHOULD NOT BE USED WITHOUT WRITTEN PERMISSION																			
SYMBOLS	DIMENSION UNITS	SCALE	CURRENT REV DESC: RELEASED																
▽ = 0	MM/IN	2:1	<div style="text-align: right; font-weight: bold; font-size: 1.2em;">molex</div>																
▽ = 0	GENERAL TOLERANCES (UNLESS SPECIFIED)																		
▽ = 0			EC NO: 173695 DRWN: MKIPPER 2018/02/16 CHK'D: JBELL 2018/04/04 APPR: FSMITH 2018/04/05																
▽ = 0	4 PLACES ±		INITIAL REVISION: DRWN: MKIPPER 2018/02/16 APPR: FSMITH 2018/04/05																
▽ = 0	3 PLACES ±	± 0.01																	
▽ = 0	2 PLACES ±	± 0.25 ± 0.014	<table border="1" style="width: 100%; border-collapse: collapse;"> <tr> <td colspan="2">DOCUMENT NUMBER</td> <td>DOC TYPE</td> <td>DOC PART</td> <td>REVISION</td> </tr> <tr> <td colspan="2" style="text-align: center;">64960000-SD</td> <td>PSD</td> <td>000</td> <td style="text-align: center;">A</td> </tr> </table>							DOCUMENT NUMBER		DOC TYPE	DOC PART	REVISION	64960000-SD		PSD	000	A
DOCUMENT NUMBER		DOC TYPE								DOC PART	REVISION								
64960000-SD		PSD	000	A															
▽ = 0	1 PLACE ±	± 0.36 ±																	
▽ = 0	0 PLACES ±		<table border="1" style="width: 100%; border-collapse: collapse;"> <tr> <td>MATERIAL NUMBER</td> <td>CUSTOMER</td> <td>SHEET NUMBER</td> </tr> <tr> <td>SEE CHART</td> <td>GENERAL MARKET</td> <td style="text-align: center;">1 OF 1</td> </tr> </table>							MATERIAL NUMBER	CUSTOMER	SHEET NUMBER	SEE CHART	GENERAL MARKET	1 OF 1				
MATERIAL NUMBER	CUSTOMER	SHEET NUMBER																	
SEE CHART	GENERAL MARKET	1 OF 1																	
▽ = 0	ANGULAR TOL ± °																		
▽ = 0	DRAFT WHERE APPLICABLE MUST REMAIN WITHIN DIMENSIONS	THIRD ANGLE PROJECTION	DRAWING	SERIES															
▽ = 0			B-SIZE	6496															