

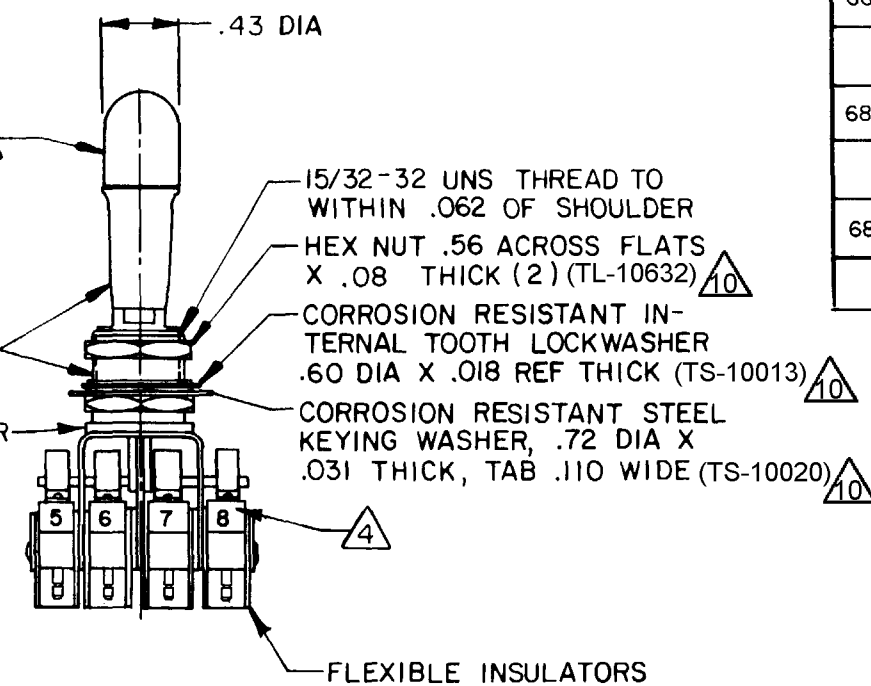
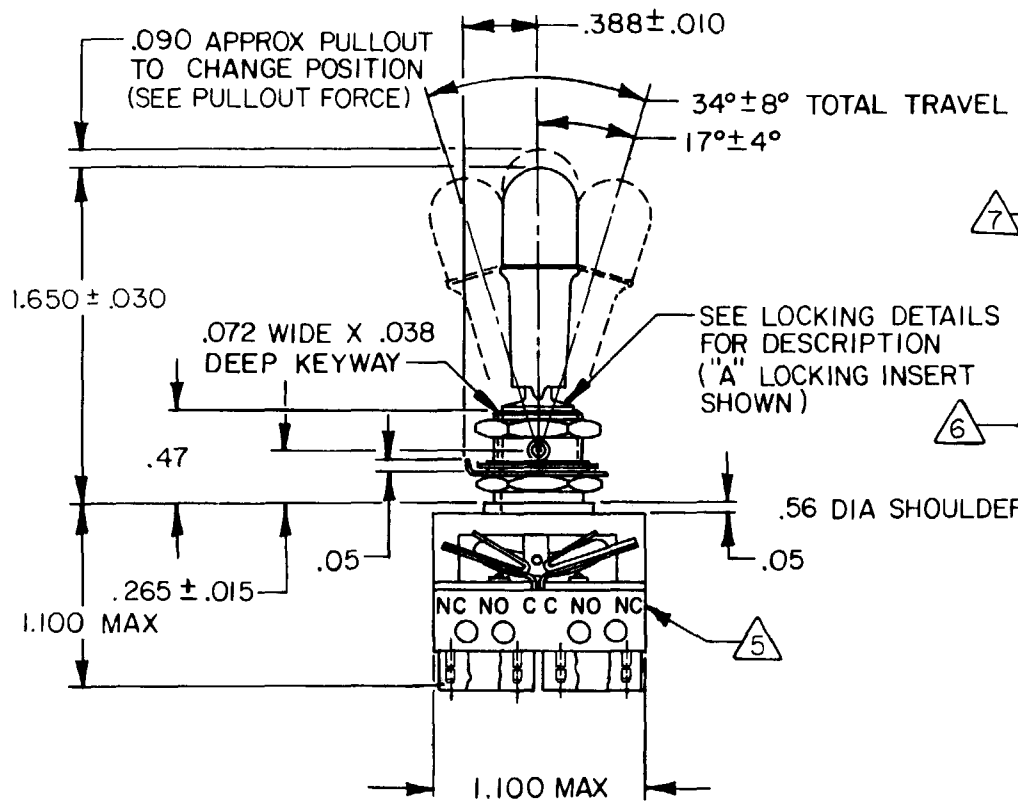
MICRO SWITCH
 FREEPORT, ILLINOIS, U.S.A.
 A DIVISION OF HONEYWELL
 FED. MFG. CODE 91929

**ASSEMBLY -
 TOGGLE SWITCH**

CATALOG LISTING
68AT22 SERIES
CHART 2

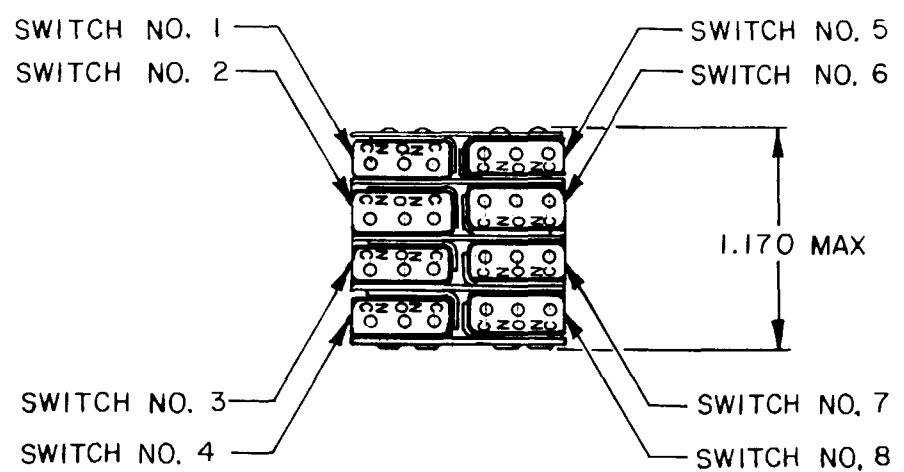
CATALOG LISTING	KEYWAY POSITION		CENTER POSITION		OPPOSITE KEYWAY POSITION		RECOMMENDED LOCKING COMBINATIONS
	C-NO	C-NC	C-NO	C-NC	C-NO	C-NC	
68AT22-1	5,6,7,8	1,2,3,4	NONE	ALL	1,2,3,4	5,6,7,8	A,B,D,E,F,G,H,J,K,L,M,N,P
68AT22-3	5,6,7,8	1,2,3,4	NONE	NONE	1,2,3,4	5,6,7,8	D,F,G
68AT22-5	5,6,7,8*	1,2,3,4*	NONE	ALL	1,2,3,4	5,6,7,8	E,F,K,L,M,N
68AT22-7	5,6,7,8*	1,2,3,4*	NONE	ALL	1,2,3,4*	5,6,7,8*	E,L,N

* ASTERISK DENOTES MOMENTARY POSITION



"A" LOCKED IN THREE POSITIONS	"B" LOCKED IN CENTER AND EXTREME POSITION (KEYWAY SIDE)	"D" LOCKED OUT OF CENTER POSITION	"E" LOCKED IN CENTER POSITION
"F" LOCKED IN EXTREME POSITION (OPPOSITE KEYWAY)	"G" LOCKED IN EXTREME POSITION (KEYWAY SIDE)	"H" LOCKED OUT OF CENTER AND EXTREME POSITION (KEYWAY SIDE)	"J" LOCKED OUT OF CENTER AND EXTREME POSITION (OPPOSITE KEYWAY)
"K" LOCKED IN CENTER AND EXTREME POSITION (OPPOSITE KEYWAY)	"L" LOCKED OUT OF EXTREME POSITION (KEYWAY SIDE)	"M" LOCKED OUT OF AND INTO EXTREME POSITION (OPPOSITE KEYWAY)	"N" LOCKED OUT OF EXTREME POSITION (OPPOSITE KEYWAY)
			"P" LOCKED OUT OF AND INTO EXTREME POSITION (KEYWAY SIDE)

- NOTES**
- UNIT INCLUDES "SX" TYPE BASIC SWITCH (8) (MEETS REQUIREMENTS OF MIL-PRF-8805/4)
 - SWITCHES DO NOT NECESSARILY OPERATE SIMULTANEOUSLY
 - PLATED TERMINALS WILL ACCEPT "AMP INC." .058 DIA PIN RECEPTACLES
 - SWITCH NUMBERS MARKED ON END OF BASIC SWITCHES
 - TERMINAL DESIGNATION STAMPED ON BOTH SIDES OF UNIT
 - DULL FINISH ON LEVER AND BUSHING
 - FLAT WHITE RESILIENT SILICONE (50 DUROMETER APPROX)
 - SUFFIX LETTER MUST BE ADDED FOR DESIRED TYPE TOGGLE LOCKING (SEE CHART FOR RECOMMENDED LOCKING COMBINATIONS)
 - FOR REPLACEMENT BUTTON SEE MICRO SWITCH CATALOG LISTING 15PA90-6W
 - HARDWARE FURNISHED ASSEMBLED WITH SWITCH OR IN PACKET 15PA313-AT PER MIL-PRF-8805
 - REPLACEMENT MOUNTING HARDWARE PACKET 15PA313-AT
 - SWITCH MEETS THE REQUIREMENTS OF MIL-PRF-8805/98 EXCEPT INITIAL CONTACT RESISTANCE IS 50 MILLIOHMS MAX AND FINAL CONTACT RESISTANCE AFTER MECHANICAL ENDURANCE IS 600 MILLIOHMS MAX.



THIS DRAWING COVERS A PROPRIETARY ITEM AND IS THE PROPERTY OF MICRO SWITCH, A DIVISION OF HONEYWELL. THIS DRAWING IS NOT TO BE COPIED OR USED WITHOUT THE APPROVAL OF MICRO SWITCH.

CHARACTERISTICS
PULLOUT FORCE----- 3 LB MIN-5 LB MAX

ELECTRICAL DATA
CONTACT ARRANGEMENT S P D T (8)

SCALE FULL	
DO NOT SCALE PRINT	
TOLERANCES	
APPLY TO DESIGN UNITS. CONVERSIONS ARE ONLY FOR REFERENCE. UNLESS NOTED, TOLERANCES ARE ±	
DIM. mm	TOL. mm/in
NO PLACES	X 1/64
ONE PLACE	X.X 0.01/0.18
TWO PLACES	X.XX 0.15/0.008
THREE PLACES	X.XXX 0.13/0.005
DESIGN UNITS <input type="checkbox"/> SI METRIC <input checked="" type="checkbox"/> US CUSTOMARY	
THIRD ANGLE PROJECTION	
WEIGHT .11 LB APPROX	

LOAD	ELECTRICAL RATINGS		
	SEA LEVEL	50,000 FT	
RESISTIVE	28 Vdc	115 Vac, 60 Hz	28 Vdc
	(AMPERES)	(AMPERES)	(AMPERES)
INDUCTIVE	7	7	4
	4	7	2.5

CATALOG LISTING 68AT22 SERIES CHART 2
 PAGE 1 OF 1
 RELEASE NO. PR-11029
 11 FEB 04
 MDM
 CHECK
 REVISIONS
 A CO-515968 KAG 12 OCT 83
 B CO72702 L J F 9 JUN 92
 C CO81168 JALA 12 OCT 95
 D CO95233 J J A 6 JULY 99
 E 203961 CSL 20 SEP 01
 F 204763 G J W 28 JAN 02
 G 0003376 AS 11 FEB 04
 82 CHECK
 15 MARCH 82
 RASTER DRAWN
 T S K