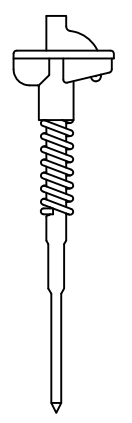
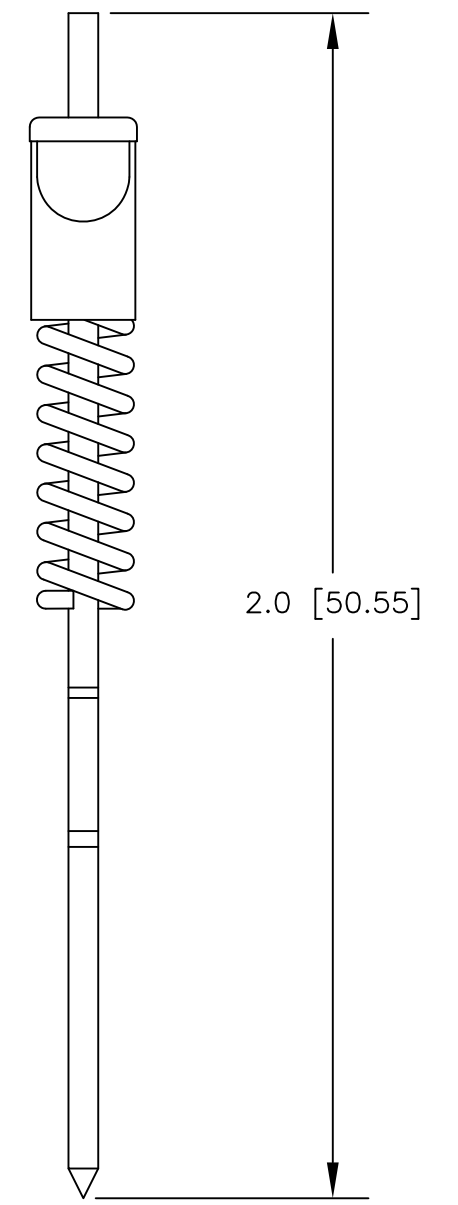
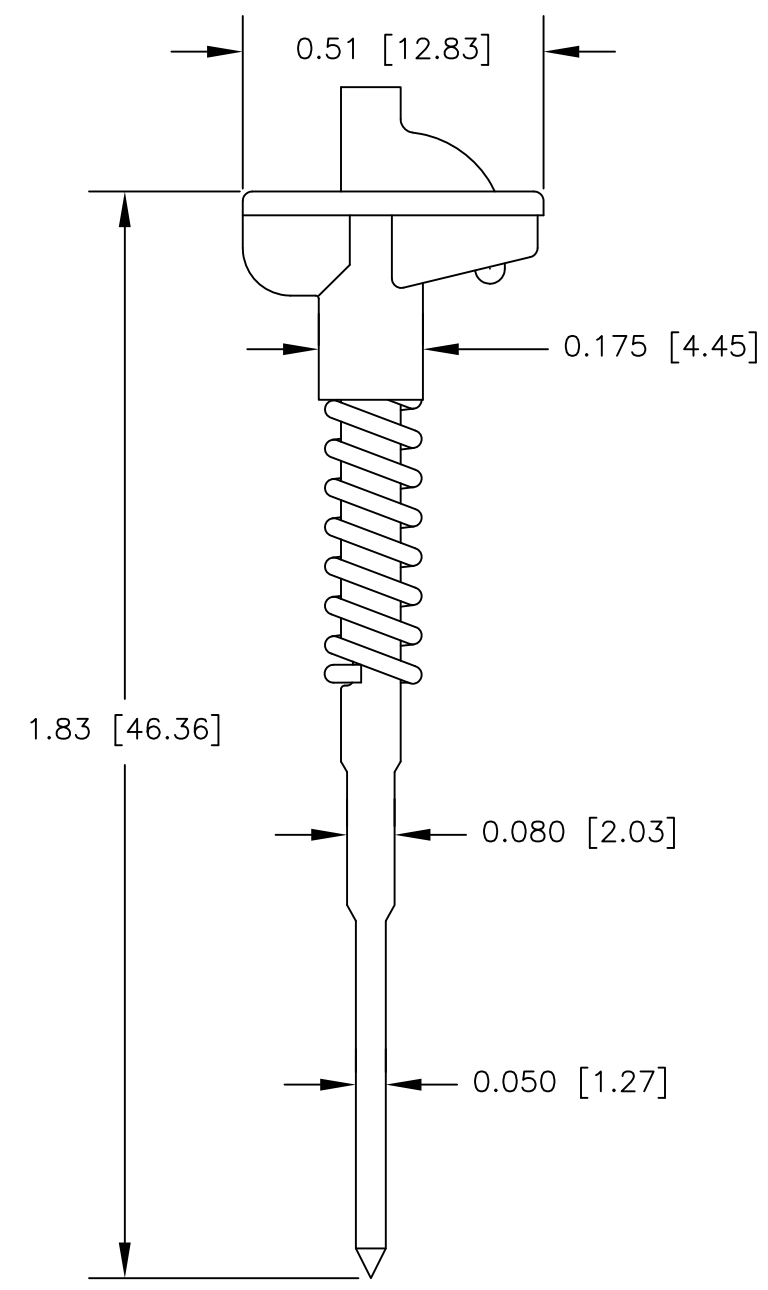
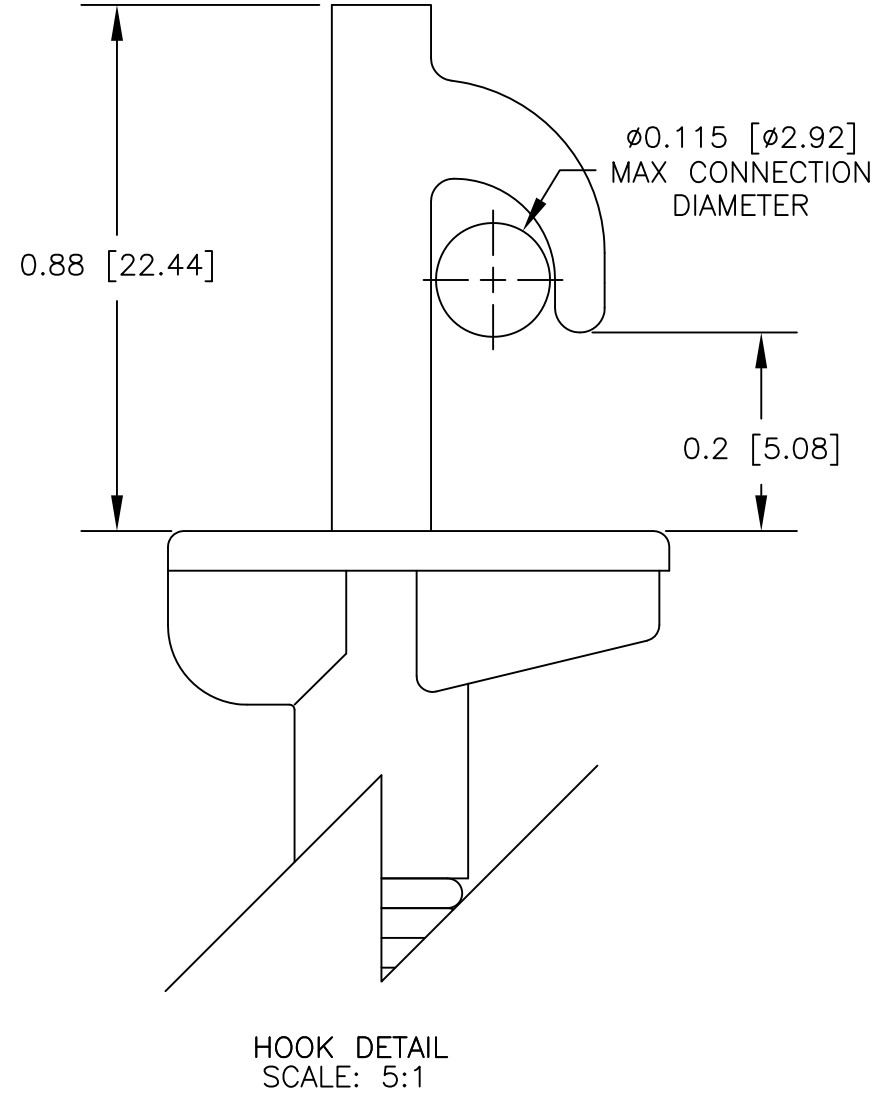


NOTES: UNLESS OTHERWISE SPECIFIED

- CONSTRUCTION:
SLIDE: MOLDED NYLON. AVAILABLE IN TEN COLORS.
CONTACT: COPPER, NICKEL & TIN PLATED STEEL
SPRING: STAINLESS STEEL
- PERFORMANCE:
MAXIMUM CURRENT: 3 AMPS
MAXIMUM VOLTAGE: 0 V
MAXIMUM TEMPERATURE: 200°F (93°C)

		REVISIONS	
LTR	DESCRIPTION	DATE	APPROVED



ACTUAL SIZE

		UNLESS OTHERWISE SPECIFIED DIMENSIONS ARE IN INCHES TOLERANCES ARE: FRACTIONS DECIMALS ANGLES ± .XX ± ± .XXX ±	CONTRACT NO.		E-Z-HOOK DIVISION OF TEKTEST INC. ARCADIA, CA 91006 U.S.A.			
			APPROVALS	DATE				
		MATERIAL SEE NOTE.	DRAWN	R.L.	3/11	DESCRIPTION HEAVY DUTY TEST TERMINAL		
			APPROVED BY					
		FINISH SEE NOTE.			SIZE	CODE IDENT NO.	DRAWING NO.	REV.
NEXT ASSY	USED ON				B	08505	86-1	
APPLICATION		DO NOT SCALE DRAWING		SCALE		SHEET 1 OF 1		
				3:1				