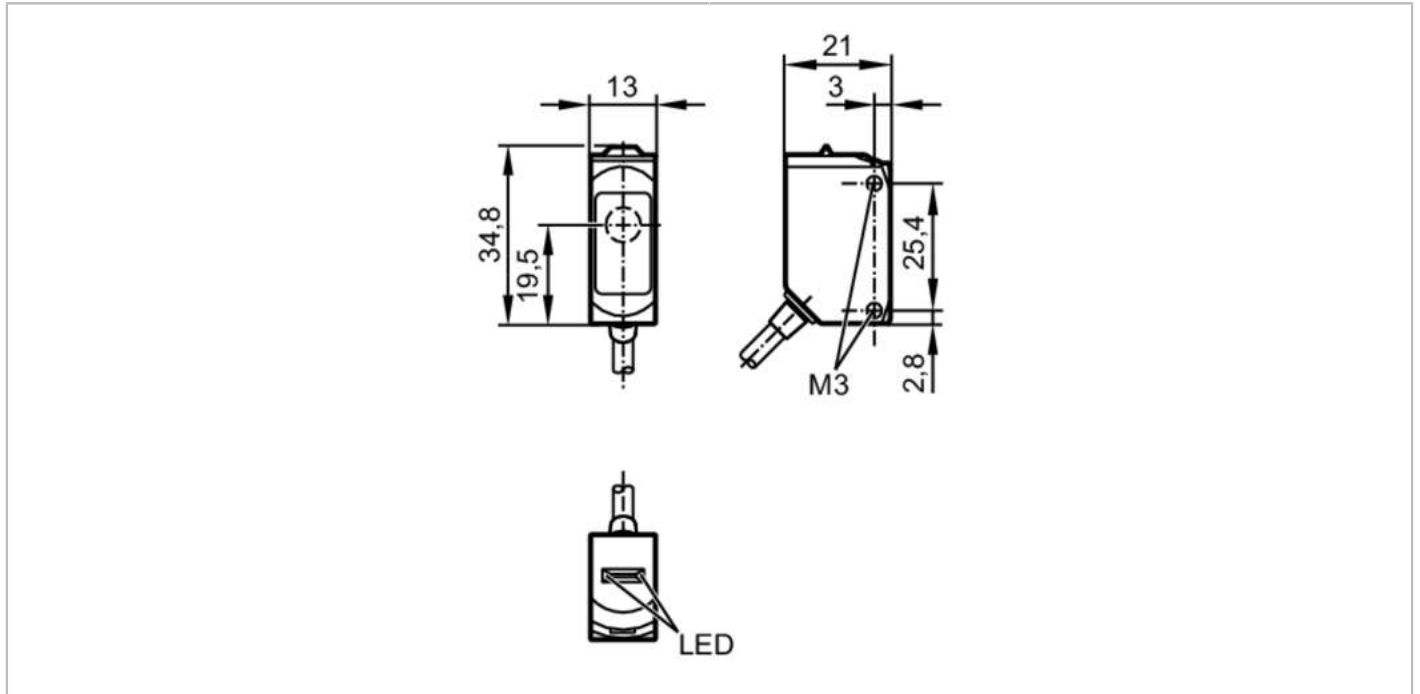


O6S301



Through-beam sensor transmitter

O6S-OOKG/0,30m/US



Product characteristics

Type of light	red light
Housing	rectangular

Application

Function principle	Through-beam sensor
--------------------	---------------------

Electrical data

Operating voltage	[V]	10...30 DC
Current consumption	[mA]	11; ((24 V))
Protection class		III
Type of light		red light
Wave length	[nm]	633

Detection zone

Transmitter / receiver		transmitter
Range	[m]	< 10
Max. light spot diameter	[mm]	300
Light spot dimensions refer to		at maximum range

Operating conditions

Ambient temperature	[°C]	-25...80
Protection		IP 65; IP 67; IP 68; IP 69K

Tests / approvals

EMC		EN 60947-5-2
MTTF	[years]	2600
UL approval		UL Approval no. E005

O6S301



Through-beam sensor transmitter

O6S-OOKG/0,30m/US

Mechanical data

Weight	[g]	50.5
Housing		rectangular
Materials		housing: stainless steel (1.4404 / 316L); plastics: PPSU; Sealing: EPDM
Lens material		PMMA
Lens alignment		side lens
Tightening torque	[Nm]	1; (screws)

Displays / operating elements

Display	operation	1 x LED, green
---------	-----------	----------------

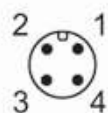
Remarks

Remarks	operating voltage "supply class 2" according to cULus	
Pack quantity	1 pcs.	

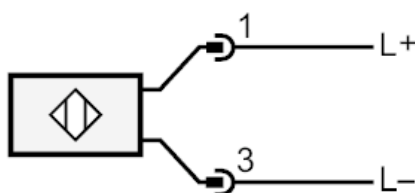
Electrical connection

Cable: 0.3 m, PVC; 2 x 0.25 mm²

Connector: 1 x M12; coding: A



Connection



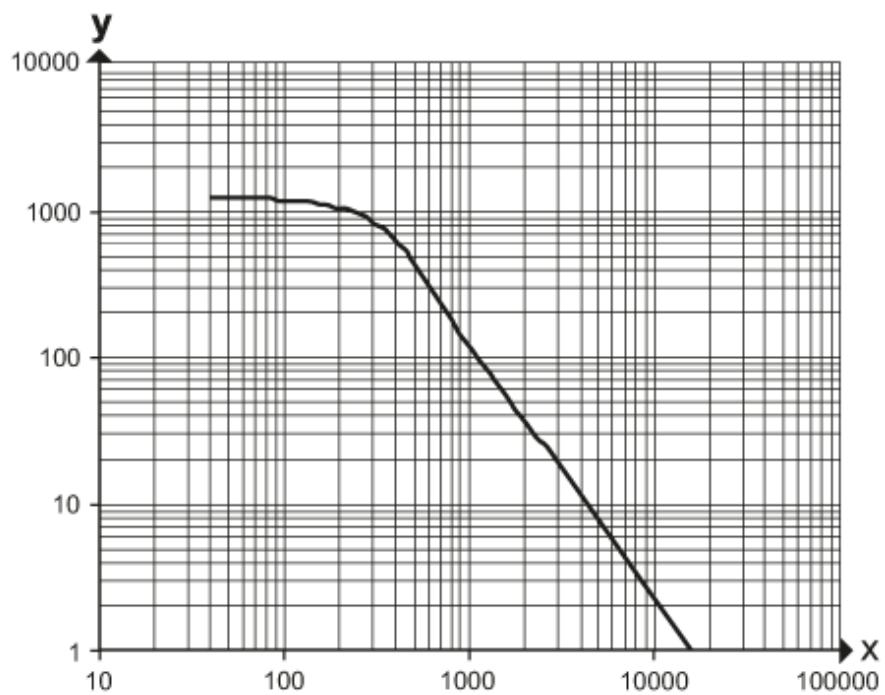


Through-beam sensor transmitter

O6S-OOKG/0,30m/US

Diagrams and graphs

excess gain graph



x: distance [mm]

y: excess gain factor