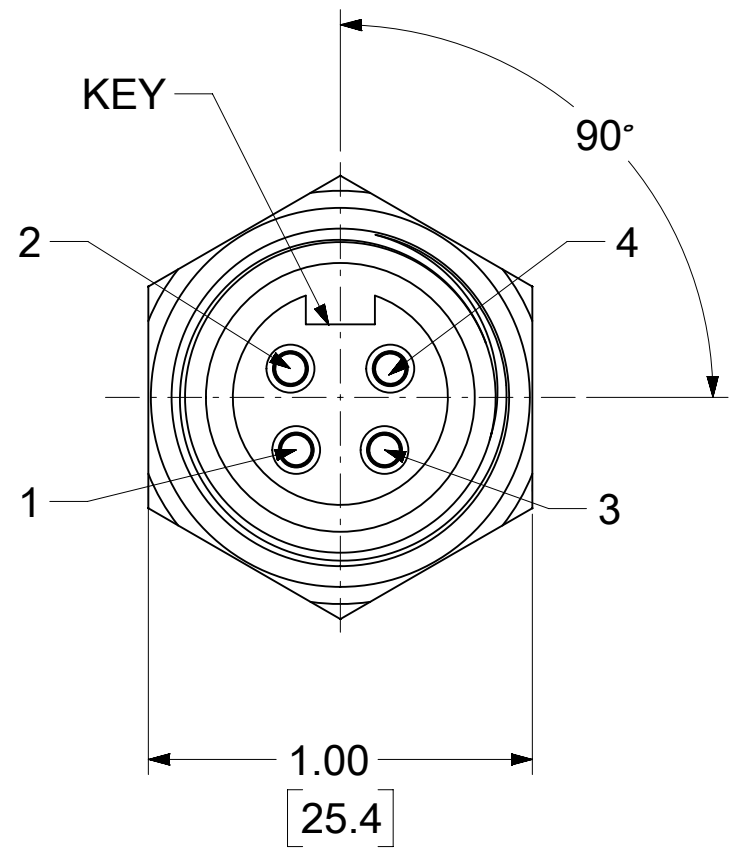
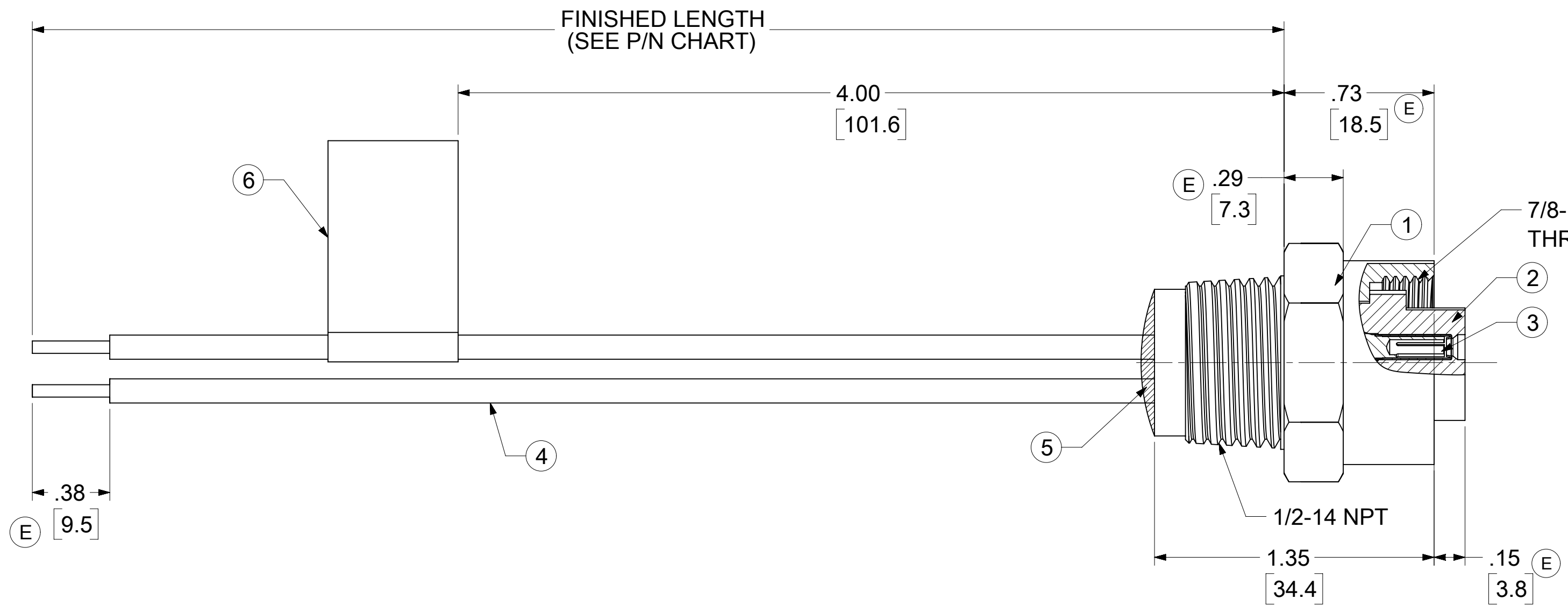
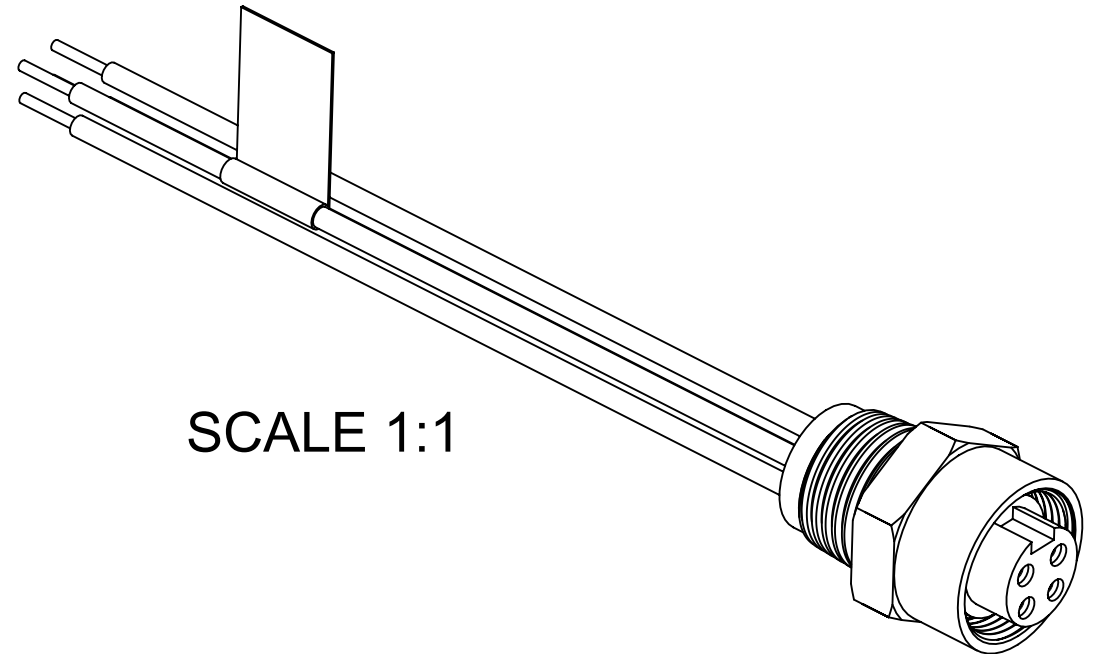
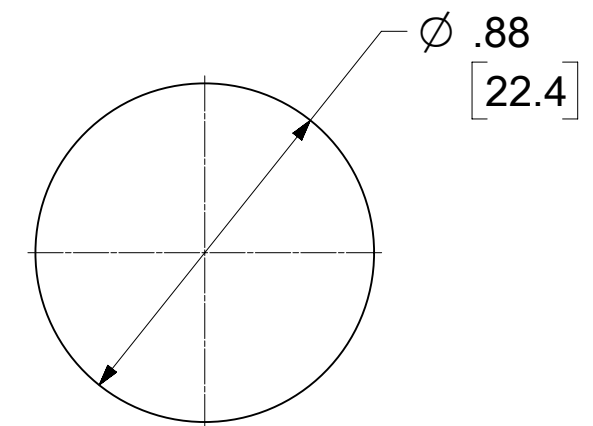


MATERIAL NO.	ENGINEERING NO.	FINISHED LENGTH
1300130299	1R4000A39M005	1 FT 7.7 IN (0.5M)
1300130302	1R4000A39M030	9 FT 10.1 IN (3.0M)
1300130305	1R4000A39M060	19 FT 8.2 IN (6.0M)

TOLERANCE CHART					
FINISH LENGTH [FT]			FINISH LENGTH [M]		
OVER	UNDER	TOLERANCE [IN]	OVER	UNDER	TOLERANCE [mm]
0.00	.167	N/A	0.0	0.05	NA
.167	.500	+ .63 -0	0.05	0.15	+16 -0
.500	1.00	+ .75 -0	0.15	0.3	+19 -0
1.00	3.00	+1.75 -0	0.3	0.9	+44.5 -0
3.00	6.00	+2.19 -0	0.9	1.8	+55.6 -0
6.00	12.00	+3.50 -0	1.8	3.7	+88.8 -0
12.00	24.00	+6.50 -0	3.7	7.3	+165.1 -0
24.00	48.00	+12.50 -0	7.3	21.9	+317.5 -0
48.00	96.00	+24.50 -0	21.9	29.3	+622.3 -0
96.00	~	+2.00% -0	29.3	~	+2% OF FIN LGTH



- NOTES:
1. MATERIAL: AS NOTED
 2. FINISH: AS NOTED
 3. ELECTRICAL:
VOLTAGE: 483V PER IEC60664
600V PER UL2238
CURRENT: 8A (E)
 4. TEMP RATING: -20°C TO +105°C
 5. PROTECTION: IP67 (WHEN MATED)
 6. UL RECOGNIZED FILE: E152210
CSA CERTIFIED FILE: LR6837 (E)
 7. ALL DIMS ARE FOR REFERENCE UNLESS TOLERANCED OR NOTED OTHERWISE



PART NO. MATRIX
1R4000A39M005

FINISHED LENGTH
M005 = 0.5 METER
M010 = 1.0 METER
M100 = 10.0 METERS

WIRING DIAGRAM

BROWN	1
WHITE	2
BLUE	3
BLACK	4

PIN-OUT PER CENELEC COLOR CODE

ITEM	DESCRIPTION	MATERIAL	FINISH
6	FLAG LABEL	VINYL	BLACK/YELLOW
5	POTTING MATERIAL	EPOXY	
4	WIRE #16 (UL 1015)	PVC INSULATION	SEE FACE VIEW
3	CONTACT SOCKET & SLEEVE ASSY.	Cu ALLOY	GOLD PLATED
2	INSERT	TPE	YELLOW
1	RECEPTACLE SHELL	ZINC (DIE-CAST)	NICKEL PLATED
ITEM	DESCRIPTION	MATERIAL	FINISH

FUNCTIONAL SYMBOLS FA = 0 EA = 0 EP = 0	THIS DRAWING CONTAINS INFORMATION THAT IS PROPRIETARY TO MOLEX ELECTRONIC TECHNOLOGIES, LLC AND SHOULD NOT BE USED WITHOUT WRITTEN PERMISSION		CURRENT REV DESC: ITEM 2 WAS PVC, CURRENT, MATERIAL TAB & TOLERANCE CHART MODIFIED, CSA & DIMS ADDED.		
	DIMENSION UNITS	SCALE	EC NO: 641453		
	INCH/MM	2:1	DRWN: PDODDAMANEMY	2020/04/03	
	GENERAL TOLERANCES (UNLESS SPECIFIED)		CHK'D: RSTONE	2020/07/20	
ANGULAR TOL ± 0.5°		APPR: BWOODMAN	2020/07/27		
4 PLACES ±		INITIAL REVISION:			
3 PLACES ±		DRWN: RSTONE	2009/08/26		
2 PLACES ±		APPR: JFMURPHY	2009/08/27		
1 PLACE ± 0.3		DOCUMENT NUMBER			
0 PLACES ±		SD-130013-086			
DRAFT WHERE APPLICABLE MUST REMAIN WITHIN DIMENSIONS		THIRD ANGLE PROJECTION	DRAWING	SERIES	
			C-SIZE	130013	
		MATERIAL NUMBER		CUSTOMER	
		SEE TABLE		GENERAL MARKET	
		DOC TYPE		DOC PART	
		PSD		001	
		REVISION		E	
		SHEET NUMBER		1 OF 1	