

RoHS COMPLIANT BY EXEMPTION

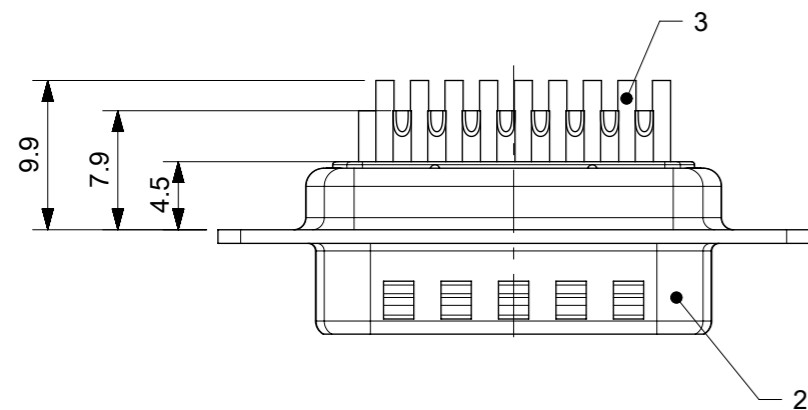


TABLE FOR PART NUMBERS

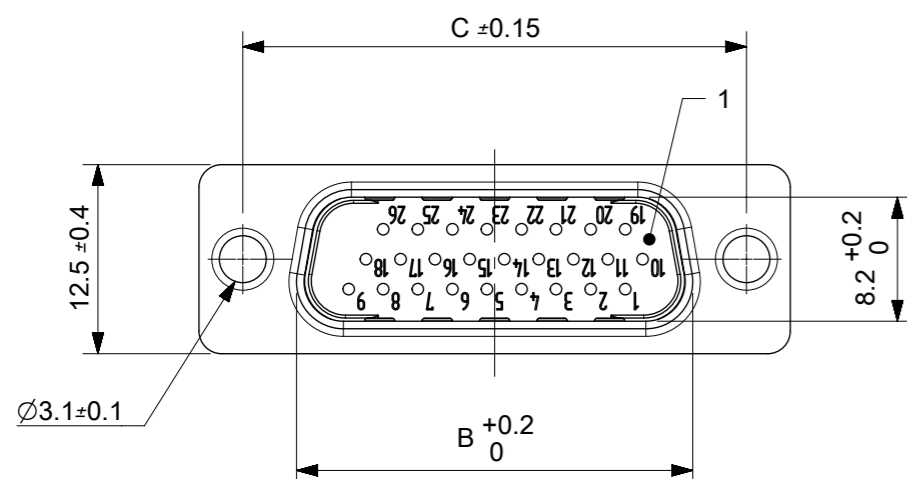
MOLEX PART#	FCT PART#	X-X	A [mm]	B [mm]	C [mm]	NO. OF CONTACTS 1./2./3. ROW	FORMERLY PART NO
1731130147	F09-15P0G0-0008	09-15	30.8	16.9	25	5/5/5	CT09-15P-2045
1731130148	F15-26P0G0-0008	15-26	39.1	25.2	33.3	9/9/8	CT15-26P-2045
1731130149	F25-44P0G0-0008	25-44	53	38.9	47.04	15/15/14	CT25-44P-2045

TABLE FOR GENERAL TOLERANCES

PERMISSIBLE DEVIATIONS FOR BASIC SIZE RANGE				
0.5 UPTO	OVER 3 UPTO	OVER 6 UPTO	OVER 30 UPTO	OVER 120 UPTO
3	6	30	120	400
±0.1	±0.1	±0.2	±0.3	±0.5

X-X NO. OF CONTACTS 09-15, 15-26, 25-44

3	X-X	SIGNAL CONTACT, MACHINED	HP0 / BRASS	AWG 22 / 0.8µm Au
2	1	SHELL	STEEL	TIN PLATED
1	1	INSULATOR	PBT (-55°C+130°C)	BLACK
NO.	St.	PART	TYPE DESCRIPTION/MATERIAL	SURFACE PLATING/COLOUR/CLASS



THIS DRAWING CONTAINS INFORMATION THAT IS PROPRIETARY TO MOLEX ELECTRONIC TECHNOLOGIES, LLC AND SHOULD NOT BE USED WITHOUT WRITTEN PERMISSION

QUALITY SYMBOLS	EC NO.	DRWN:	CHK'D:	APPR:	GENERAL TOLERANCES (UNLESS SPECIFIED)	DIMENSION UNITS	SCALE	molex®			
▽A = 0	2017/04/13	RLALSANGI	ISHWARG	ISHWARG	ANGULAR TOL ± °	MM	2:1	HPD HIGH DENSITY D-SUB, SOLDER CUP, WITH MACHINED MALE CONTACTS			
▽E = 0	2017/06/07				4 PLACES ±	DRWN BY	DATE				
▽F = 0					3 PLACES ±	RLALSANGI	2017/04/13				
▽ = 0					2 PLACES ±	CHK'D BY	DATE				
▽ = 0					1 PLACE ±	ISHWARG	2017/06/07	PRODUCT CUSTOMER DRAWING			
▽ = 0					0 PLACES ±	APP'R BY	DATE	SERIES	MATERIAL NUMBER	CUSTOMER	
▽ = 0					DRAFT WHERE APPLICABLE MUST REMAIN WITHIN DIMENSIONS	ISHWARG	2017/06/07	173113	SEE TABLE	GENERAL MARKET	
▽ = 0						DRAWING SIZE	THIRD ANGLE PROJECTION	DOCUMENT NUMBER	DOC TYPE	DOC PART	SHEET NUMBER
						A3		1731130147	PSD	000	1 OF 1