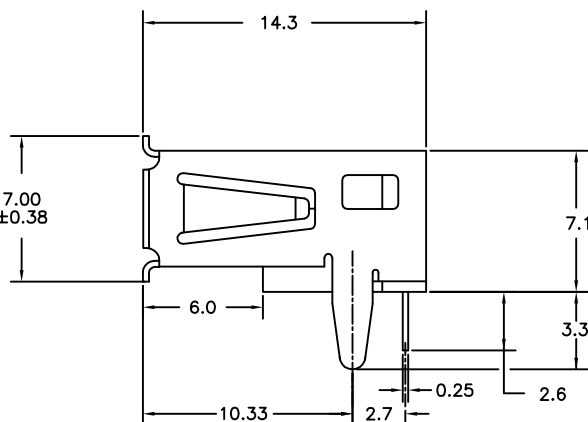
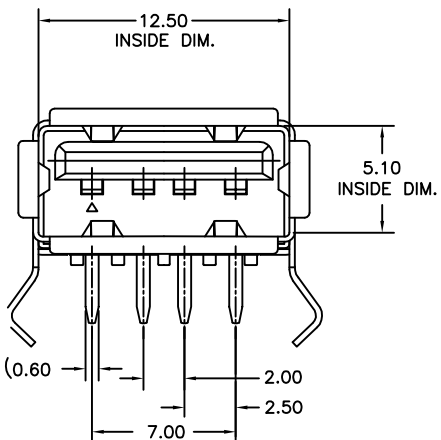


**SPECIFICATIONS:**

RECOMMENDED PCB THICKNESS: 1.20  
 MATING FORCE: 35N MAX  
 UNMATING FORCE: 10N MIN  
 PRODUCT SPECIFICATIONS REFER TO  
 690-004-X21-013 SPECS  
 TEST SUMMARY: REFER TO 690-004-X21-013 SPECS  
 PACKAGING: TRAY



THIS IS A C.A.D. GENERATED DRAWING  
 DO NOT MAKE MANUAL REVISIONS TO MASTER.

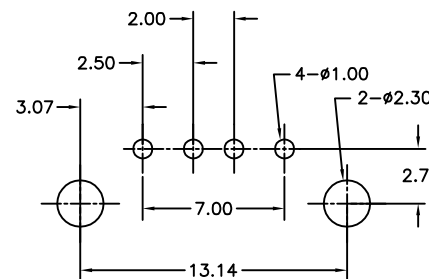


PART NUMBER: 690-004-221-013

CONTACT CODE \_\_\_\_\_

**MATERIALS:**

SHELL: COPPER ALLOY, NICKEL PLATED  
 CONTACTS: C15191 COPPER ALLOY GOLD PLATING ON  
 CONTACT AREA AND BRIGHT TIN PLATING (120u" MAX) ON  
 TAIL END ALL OVER NICKEL UNDER PLATING (50u" MAX)  
 GOLD PLATING CONTACT CODE  
 GOLD FLASH 221 CONTACT CODE  
 15 MICROINCHES OF GOLD 321 CONTACT CODE  
 30 MICROINCHES OF GOLD 621 CONTACT CODE  
 INSULATOR: THERMOPLASTIC, UL 94V-0



PC BOARD MOUNTING DIMENSIONS  
 TOP VIEW  
 TOLERANCE: ±0.05mm  
 PCB THICKNESS: 1.2±0.05mm

DIMENSIONS IN MM

ISSUE NUMBER	
PCB LAYOUT ADDED F.BRIONES JAN. 06/07	(4)
.037(0.95) HOLES WAS .027(.095) F.BRIONES MAY 029/09	(5)
NEW SHELL CLOSED FLANGE R.STA.MONICA SEPT.21/2011	(6)
UPDATE MATERIALS & SPECS R.STA.MONICA JAN.18/2016	(7)
ADD PACKAGING SPECS R.STA.MONICA FEB.04/2016	(8)
DRAWING UPDATED N.SONDH FEB.26/2016	(9)



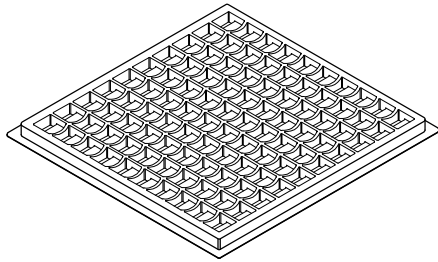
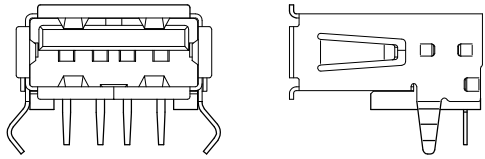
THIS SERIES FULLY CONFORMS TO THE  
 EUROPEAN UNION DIRECTIVES  
 2011/65/EU FOR RoHS COMPLIANCY.

USB CONNECTOR A TYPE, RIGHT ANGLE, SINGLE DECK

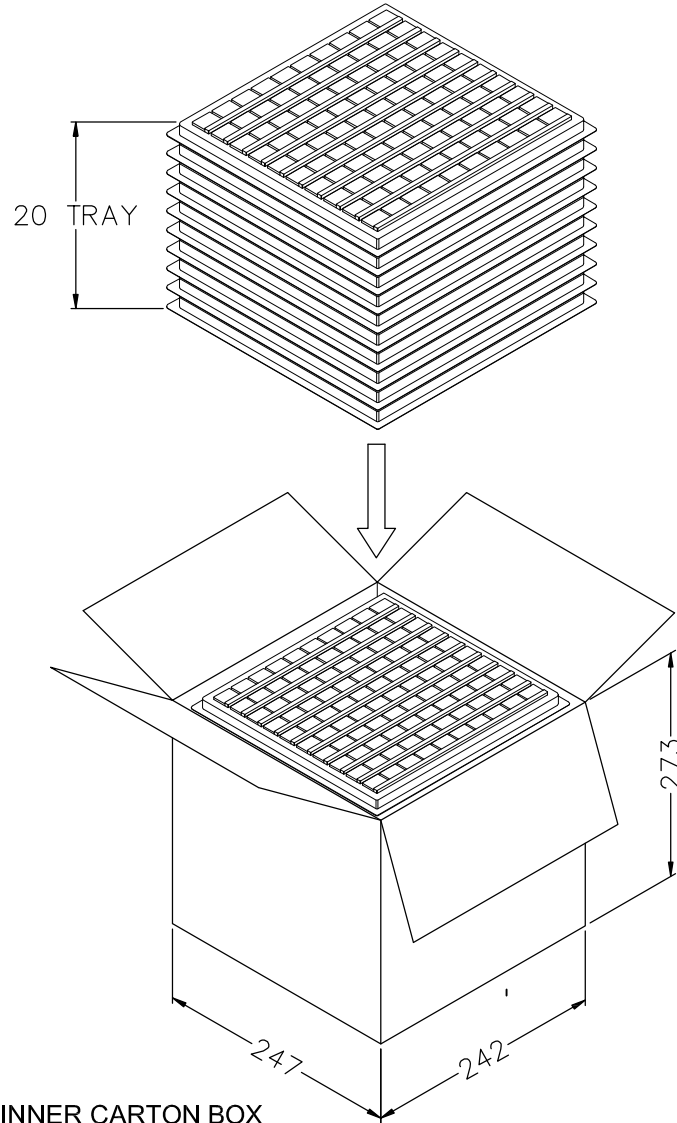
**EDAC** EDAC INC  
 TORONTO, ONTARIO  
 CANADA  
 YOUR CONNECTION TO QUALITY & SERVICE

THESE DRAWINGS AND SPECIFICATIONS  
 ARE THE PROPERTY OF EDAC INC., AND  
 SHALL NOT BE REPRODUCED, OR COPIED  
 OR USED AS THE BASIS FOR THE  
 MANUFACTURE OR SALE OF APPARATUS  
 WITHOUT WRITTEN PERMISSION.

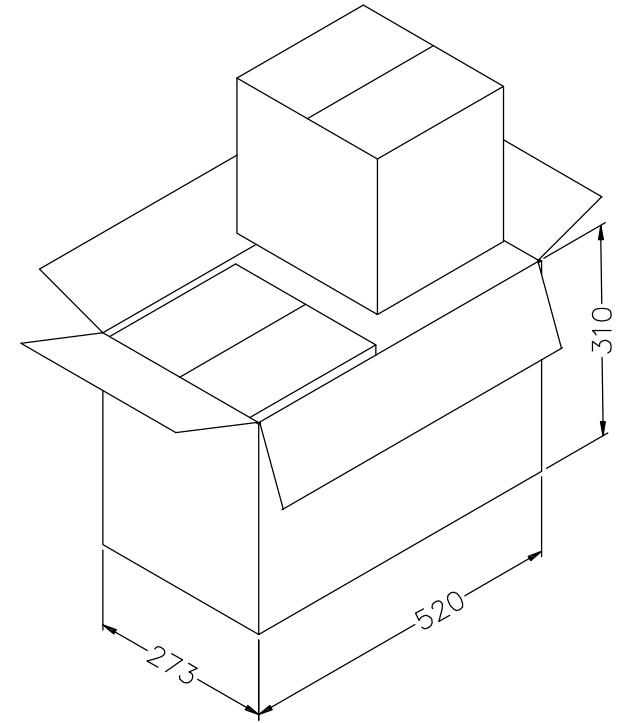
ACAD REFERENCE NO.	690-004-221-013	
DRAWN: F.BRIONES	DATE: FEB.16/98	
CHECKED:	DATE:	
SCALE: (IN C.A.D. 1:1)	SHEET 1 OF 2	
DRAWING NUMBER	690-004-221-013	ISSUE 9



PVC TRAY  
QTY: 100PCS PER TRAY



INNER CARTON BOX  
20 PVC TRAYS PER CARTON  
QTY: 20 X 100 = 2000PCS  
DIMENSION IN MM



OUTER CARTON BOX  
2 INNER CARTON BOXES PER CARTON  
QTY: 2 X 2000 = 4000PCS  
DIMENSION IN MM



THIS SERIES FULLY CONFORMS TO THE  
EUROPEAN UNION DIRECTIVES  
2011/65/EU FOR RoHS COMPLIANCY.

USB CONNECTOR A TYPE, RIGHT ANGLE, SINGLE DECK  
PACKAGING SPECIFICATIONS



EDAC INC  
TORONTO, ONTARIO  
CANADA

THESE DRAWINGS AND SPECIFICATIONS  
ARE THE PROPERTY OF EDAC INC., AND  
SHALL NOT BE REPRODUCED, OR COPIED  
OR USED AS THE BASIS FOR THE  
MANUFACTURE OR SALE OF APPARATUS  
WITHOUT WRITTEN PERMISSION.

ACAD REFERENCE NO. 690-004-221-013

DRAWN: F.BRIONES | DATE: FEB.16/98

CHECKED: | DATE:

SCALE: (IN C.A.D. 1:1) | SHEET 2 OF 2

DRAWING NUMBER | ISSUE

690-004-221-013 | 9