

10

9

8

7

6

5

4

3

2

1

F

F

E

E

D

D

C

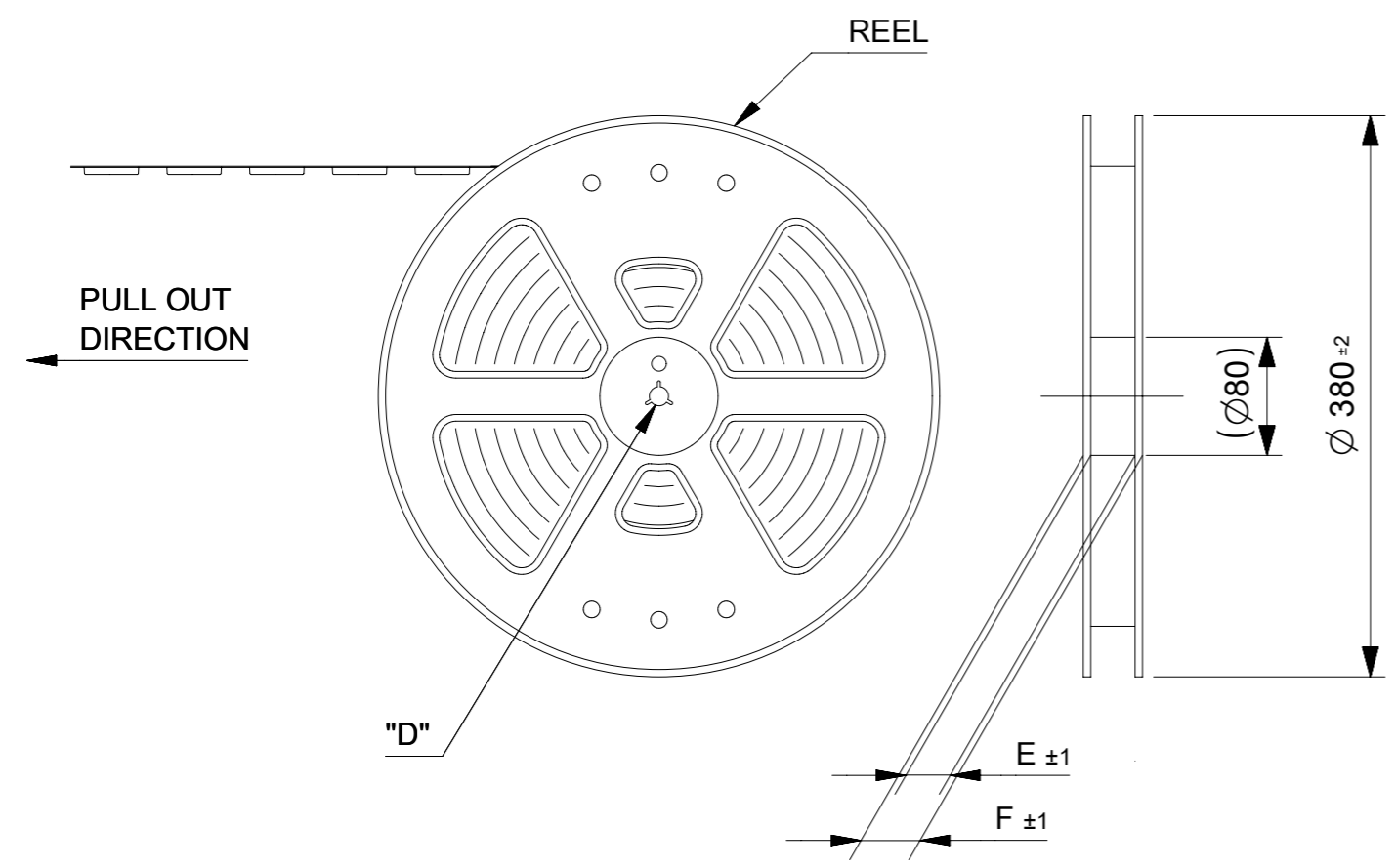
C

B

B

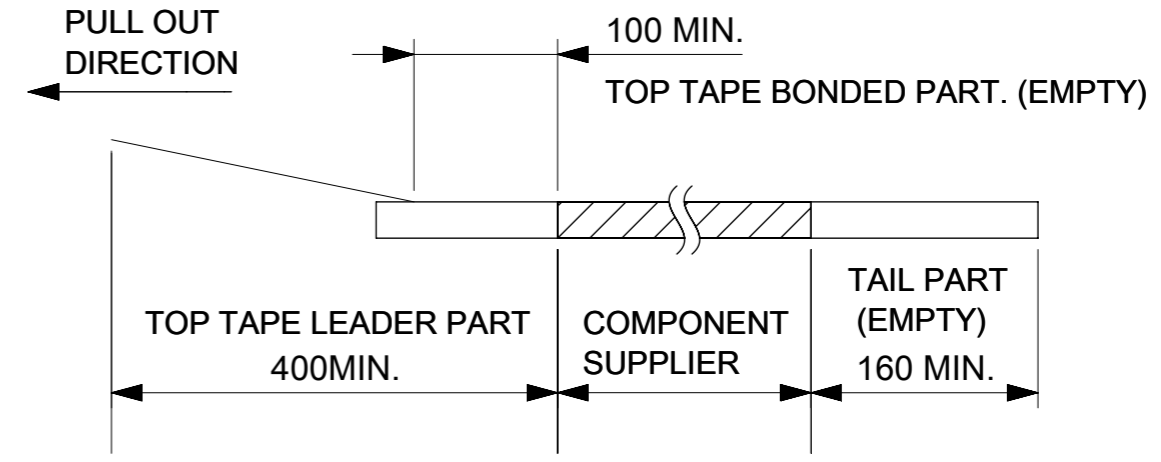
A

A

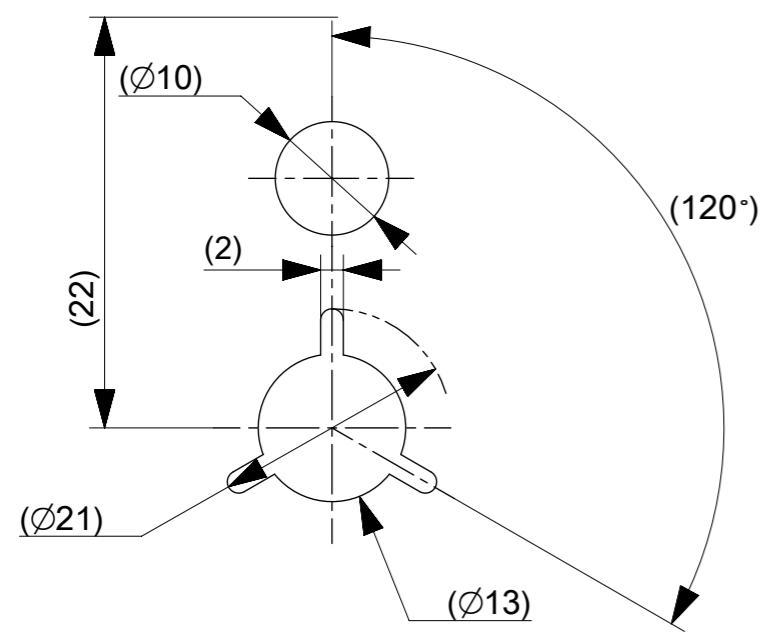


NOTES

1. RE DETAILED DIMENSION, SEE PRODUCT DRAWING.
2. NUMBER OF CONNECTORS : 20000PCS/REEL
3. LEAD TAPE LENGTH.



4. PEELING OFF FORCE OF THE TOP TAPE IS DEFINED BY IEC60286-3.
5. MATERIAL
 CARRIER TAPE : POLYSTYRENE OR PET
 TOP TAPE : PET , OTHER
 REEL : POLYSTYRENE (PS) < RECYCLE MATERIAL CONTAINED >



DETAIL "D"

THIS DRAWING CONTAINS INFORMATION THAT IS PROPRIETARY TO MOLEX ELECTRONIC TECHNOLOGIES, LLC AND SHOULD NOT BE USED WITHOUT WRITTEN PERMISSION									
DIMENSION UNITS		SCALE		CURRENT REV DESC:				molex	
mm		1:1							
GENERAL TOLERANCES (UNLESS SPECIFIED)				EC NO: 668673				5G15 (6+4P RF) REC EMOSS PACKAGE	
ANGULAR TOL ± °				DRWN: RMIYAMOTO 2021/06/30				PRODUCT CUSTOMER DRAWING	
4 PLACES ±				CHK'D: KSASAKI 2021/06/30				DOCUMENT NUMBER	
3 PLACES ±				APPR: YKOBAYASHI02 2021/06/30				2153600000-SD	
2 PLACES ±				INITIAL REVISION:				DOC TYPE	
1 PLACE ±				DRWN: RMIYAMOTO 2021/06/25				PSD	
0 PLACES ±				APPR: YKOBAYASHI02 2021/06/30				DOC PART	
DRAFT WHERE APPLICABLE MUST REMAIN WITHIN DIMENSIONS				THIRD ANGLE PROJECTION		DRAWING		REVISION	
		A3-SIZE		SERIES		MATERIAL NUMBER		SHEET NUMBER	
		215360		215360		SEE CHART		1 OF 2	
				CUSTOMER		GENERAL			

9

8

7

6

5

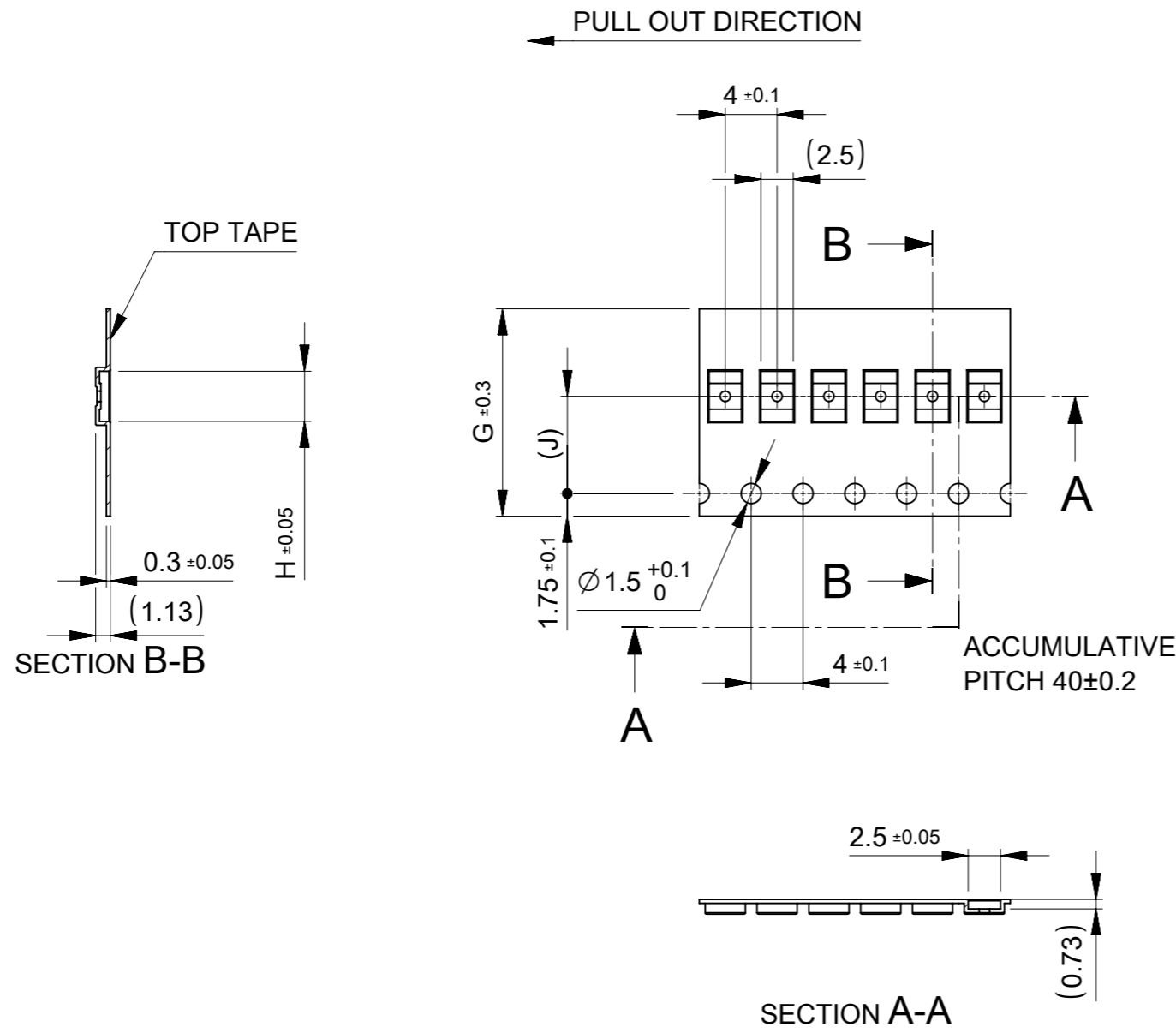
4

3

2

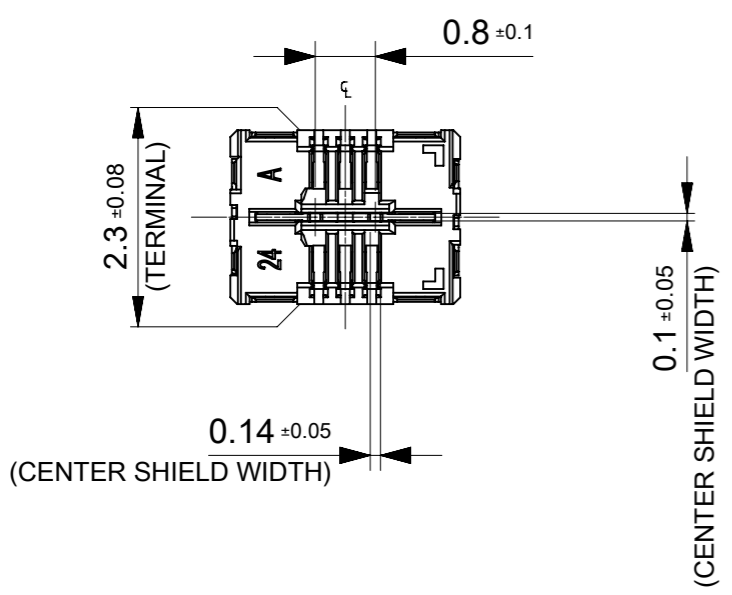
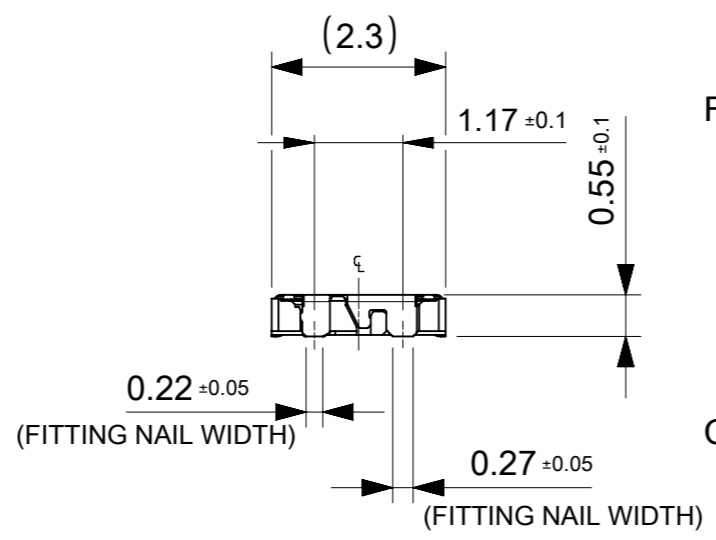
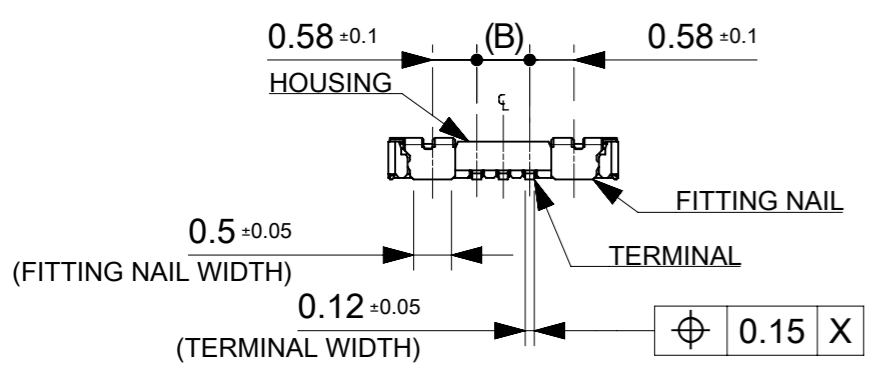
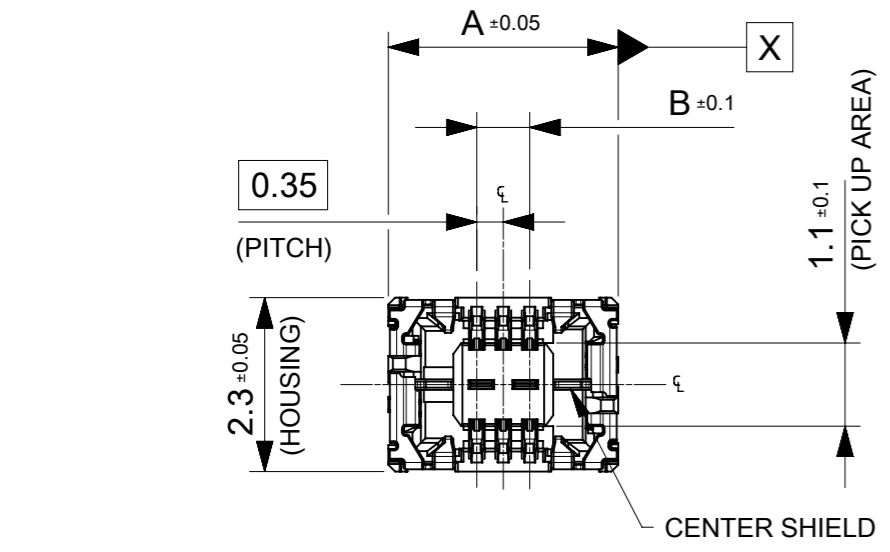
1

FORMAT: master-ib-prod-A3
 REVISION: J
 DATE: 2020/01/14



2153600064	7.5	3.17	16	21.4	17.4	○	---	6
ORDER NO.	J	H	G	F	E	HIGH VOL. TOOL	LOW VOL. TOOL	Ckt.
						SAMPLE PREPARATION ○ : TOOLED △ : WORK IN PROCESS --- : TOOLING TO BE CONFIRMED		
CONNECTOR SERIES No.						215360****		

THIS DRAWING CONTAINS INFORMATION THAT IS PROPRIETARY TO MOLEX ELECTRONIC TECHNOLOGIES, LLC AND SHOULD NOT BE USED WITHOUT WRITTEN PERMISSION		SCALE 2:1		CURRENT REV DESC:		molex	
DIMENSION UNITS mm		GENERAL TOLERANCES (UNLESS SPECIFIED)		EC NO: 668673			
ANGULAR TOL ± °		4 PLACES ±		DRWN: RMIYAMOTO 2021/06/30		PRODUCT CUSTOMER DRAWING	
3 PLACES ±		2 PLACES ±		CHK'D: KSASAKI 2021/06/30		DOCUMENT NUMBER	
2 PLACES ±		1 PLACE ±		APPR: YKOBAYASHI02 2021/06/30		2153600000-SD	
1 PLACE ±		0 PLACES ±		INITIAL REVISION: DRWN: RMIYAMOTO 2021/06/25 APPR: YKOBAYASHI02 2021/06/30		DOC TYPE DOC PART REVISION PSD 000 A	
DRAFT WHERE APPLICABLE MUST REMAIN WITHIN DIMENSIONS		THIRD ANGLE PROJECTION		DRAWING A3-SIZE		SERIES 215360	
				MATERIAL NUMBER SEE CHART		CUSTOMER GENERAL	
						SHEET NUMBER 2 OF 2	



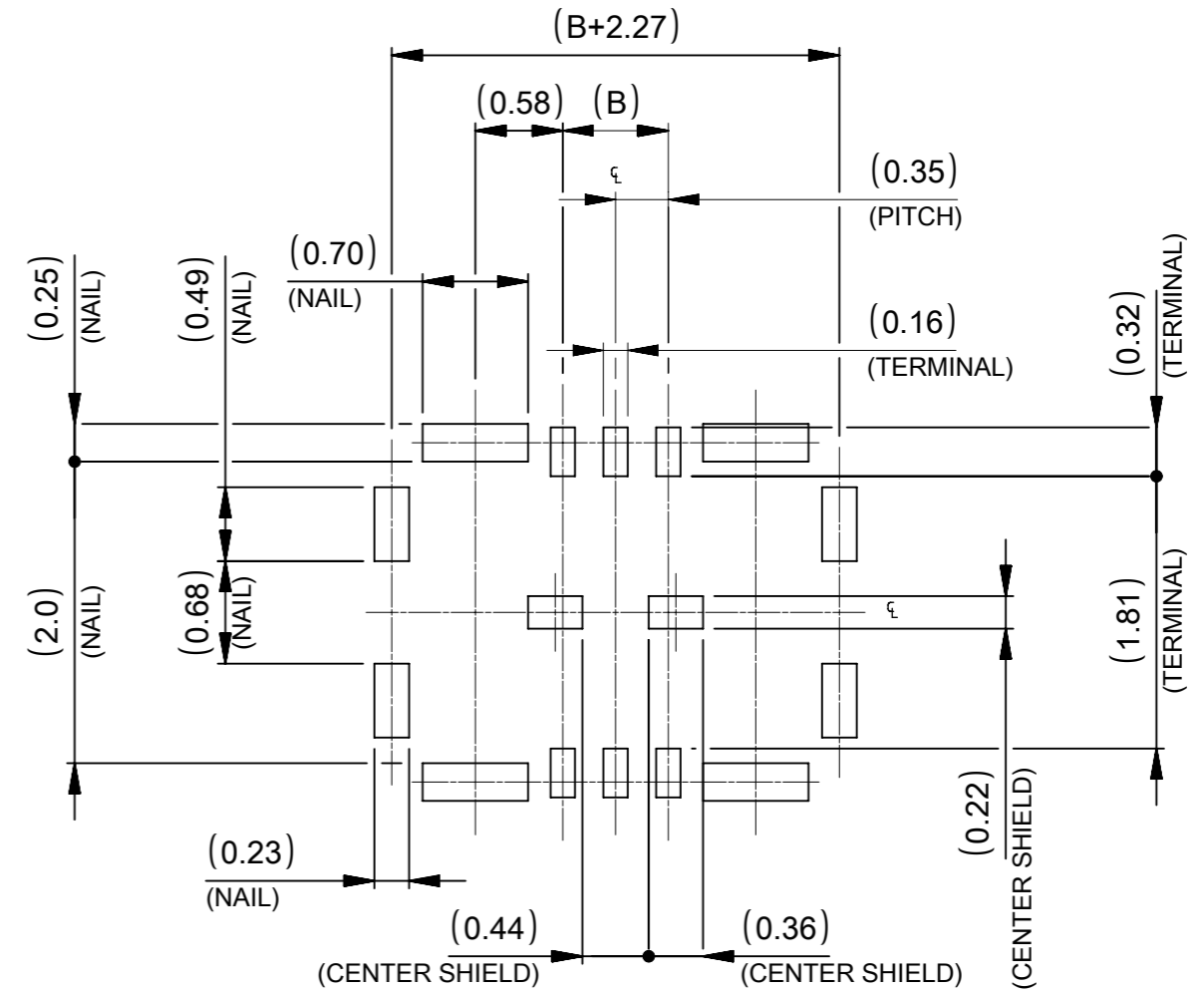
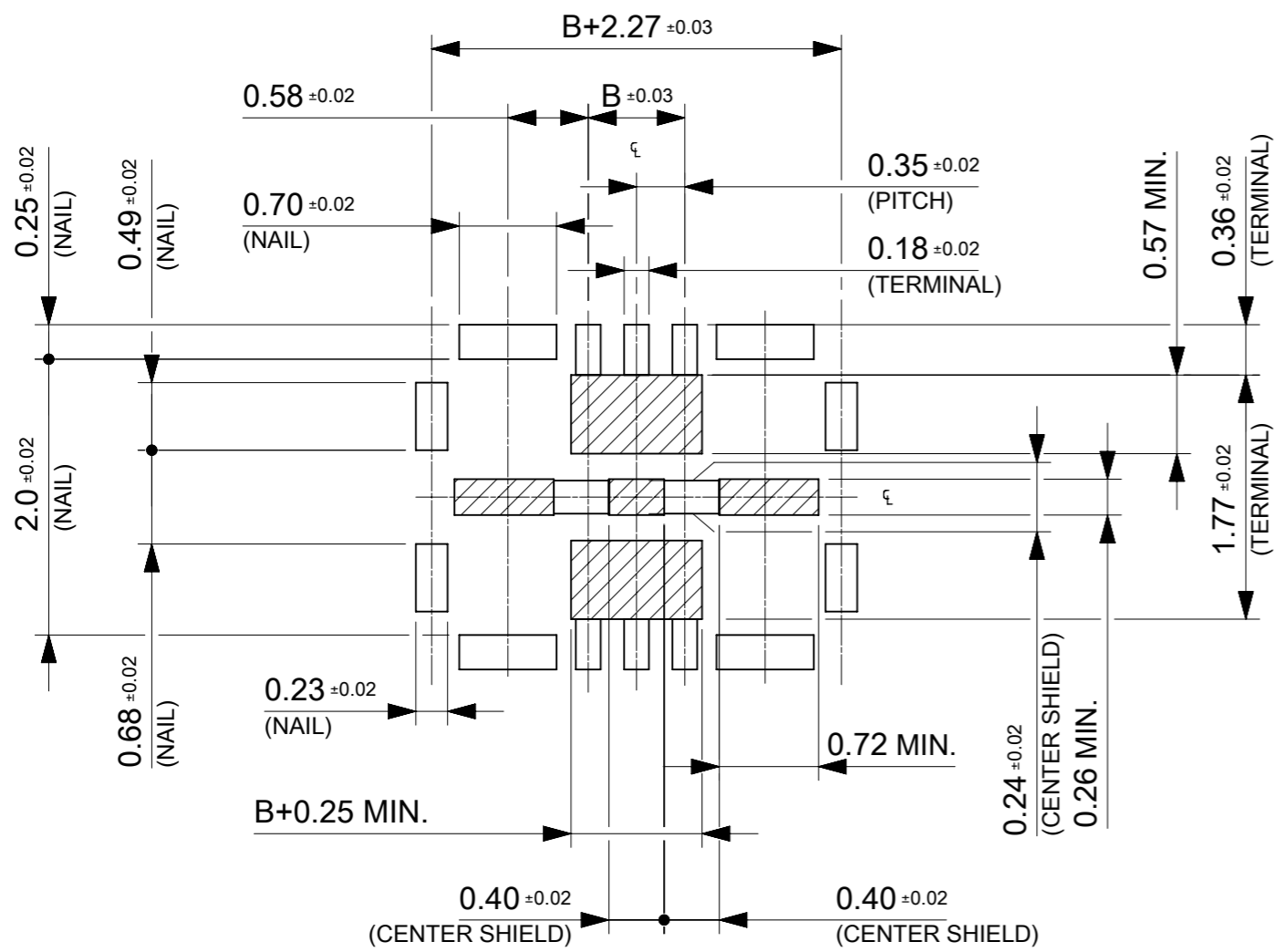
NOTES

- 1 MATERIAL
 HOUSING : LIQUID CRYSTAL POLYMER UL94V-0(COLOR : BLACK)
 TERMINAL : COPPER ALLOY
 FITTING NAIL : COPPER ALLOY
 CENTER SHIELD : COPPER ALLOY
- 2 PLATING
 TERMINAL:
 CONTACT AREA : GOLD 0.1 μm MIN.
 TAIL AREA : GOLD 0.05 μm MIN.
 UNDER PLATING : NICKEL 1.0 μm MIN.
 *DIVIDE INTO PARTS THE GOLD PLATING OF THE CONTACT AND THE TAIL PART BY THE NICKEL PLATING.
 FITTING NAIL:
 CONTACT AREA : GOLD 0.1 μm MIN.
 TAIL AREA : GOLD 0.05 μm MIN.
 UNDER PLATING : NICKEL 1.0 μm MIN.
 *DIVIDE INTO PARTS THE GOLD PLATING OF THE CONTACT AND THE TAIL PART BY THE NICKEL PLATING.
 *EVEN THOUGH GOLD PLATING ON THE TOP SURFACE OF NAIL MIGHT BE THIN, NO FUNCTIONAL PROBLEM.
 CENTER SHIELD:
 CONTACT AREA : GOLD 0.1 μm MIN.
 TAIL AREA : GOLD 0.05 μm MIN.
 UNDER PLATING : NICKEL 1.0 μm MIN.
 *DIVIDE INTO PARTS THE GOLD PLATING OF THE CONTACT AND THE TAIL PART BY THE NICKEL PLATING.
- 3 MATE WITH :2153610064
- 4 TERMINAL, FITTING NAIL AND CENTER SHIELD COPLANARITY TO BE 0.08MAXIMUM.

0.70	3.04	2153600064	○	---	6
B	A	EMBOSSED TAPE PACKAGE	HIGH VOL. TOOL	LOW VOL. TOOL	SIGNAL CIRCUIT
		ORDER No.	SAMPLE PREPARATION ○:TOOLED △:WORK IN PROCESS ---:TOOLING TO BE CONFIRMED		

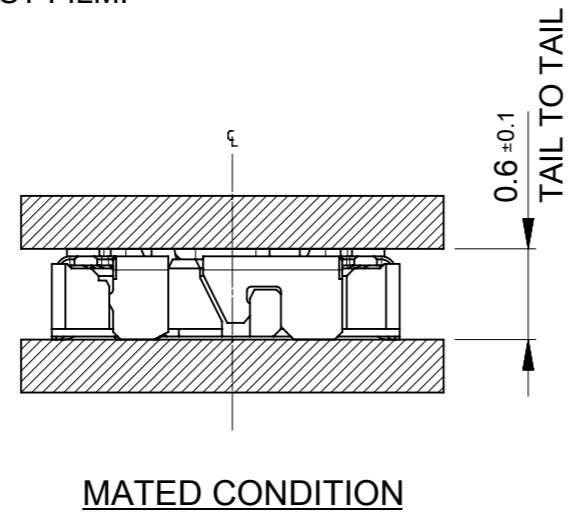
THIS DRAWING CONTAINS INFORMATION THAT IS PROPRIETARY TO MOLEX ELECTRONIC TECHNOLOGIES, LLC AND SHOULD NOT BE USED WITHOUT WRITTEN PERMISSION

DIMENSION UNITS mm	SCALE 10:1	CURRENT REV DESC:		molex		
GENERAL TOLERANCES (UNLESS SPECIFIED)		EC NO: 668673				
ANGULAR TOL	± 3.0 °	DRWN: RMIYAMOTO 2021/06/30		PRODUCT CUSTOMER DRAWING		
4 PLACES	± 0.03	CHK'D: KSASAKI 2021/06/30		DOCUMENT NUMBER		
3 PLACES	± 0.03	APPR: YKOBAYASHI02 2021/06/30		2153601000-SD		
2 PLACES	± 0.05	INITIAL REVISION:		DOC TYPE	DOC PART	REVISION
1 PLACE	± 0.1	DRWN: RMIYAMOTO 2021/06/25		PSD	000	A
0 PLACES	± 0.2	APPR: YKOBAYASHI02 2021/06/30		SHEET NUMBER		
DRAFT WHERE APPLICABLE MUST REMAIN WITHIN DIMENSIONS		THIRD ANGLE PROJECTION	DRAWING	SERIES	MATERIAL NUMBER	CUSTOMER
			A3-SIZE	215360	SEE CHART	GENERAL



RECOMMENDED P.W. BOARD PATTERN LAYOUT (REFERENCE)
 SOLDERING PROHIBITED AREA
 WHEN WIRING IS LOCATED, THE WIRING MUST BE MASKED BY COVER LAY OR RESIST FILM.

RECOMMENDED METAL MASK LAYOUT (REFERENCE)
 RECOMMENDED THICKNESS OF METAL MASK : t=0.08mm



THIS DRAWING CONTAINS INFORMATION THAT IS PROPRIETARY TO MOLEX ELECTRONIC TECHNOLOGIES, LLC AND SHOULD NOT BE USED WITHOUT WRITTEN PERMISSION		CURRENT REV DESC:		molex	
DIMENSION UNITS	SCALE				
mm	20:1			0.35BB CONN. H=0.6 5G15 (6+4P RF) REC	
GENERAL TOLERANCES (UNLESS SPECIFIED)				PRODUCT CUSTOMER DRAWING	
ANGULAR TOL	± 3.0 °			DOCUMENT NUMBER	
4 PLACES	± 0.03	EC NO: 668673	2021/06/30	2153601000-SD	
3 PLACES	± 0.03	DRWN: RMIYAMOTO	2021/06/30	DOC TYPE	DOC PART
2 PLACES	± 0.05	CHK'D: KSASAKI	2021/06/30	PSD	000
1 PLACE	± 0.1	APPR: YKOBAYASHI02	2021/06/30	REVISION	
0 PLACES	± 0.2	INITIAL REVISION:		A	
DRAFT WHERE APPLICABLE MUST REMAIN WITHIN DIMENSIONS		DRWN: RMIYAMOTO	2021/06/25	MATERIAL NUMBER	
		APPR: YKOBAYASHI02	2021/06/30	CUSTOMER	
		THIRD ANGLE PROJECTION	DRAWING	SERIES	SHEET NUMBER
			A3-SIZE	215360	2 OF 2
				SEE CHART	GENERAL