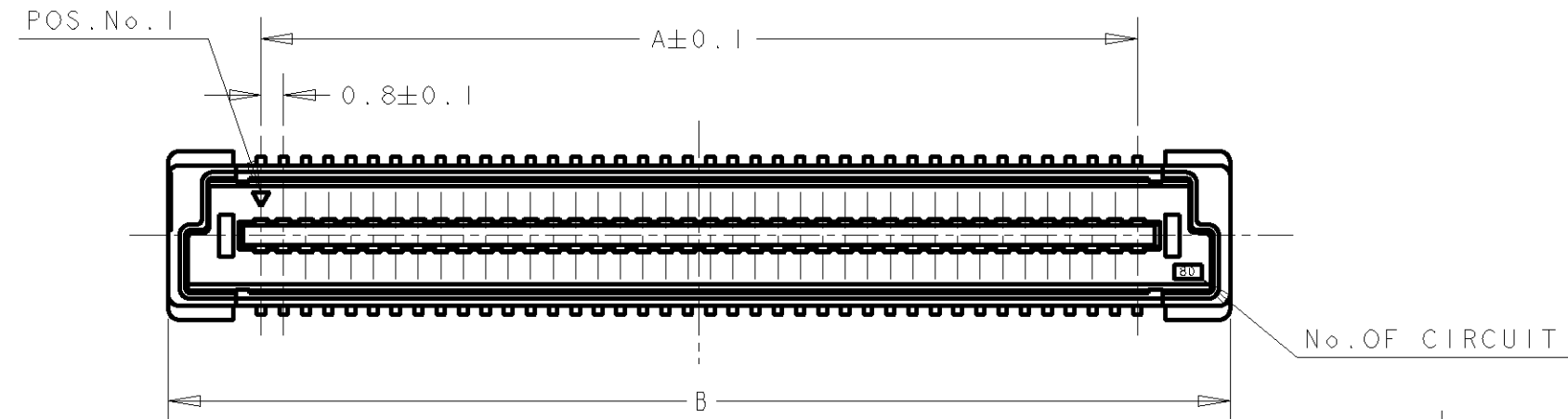
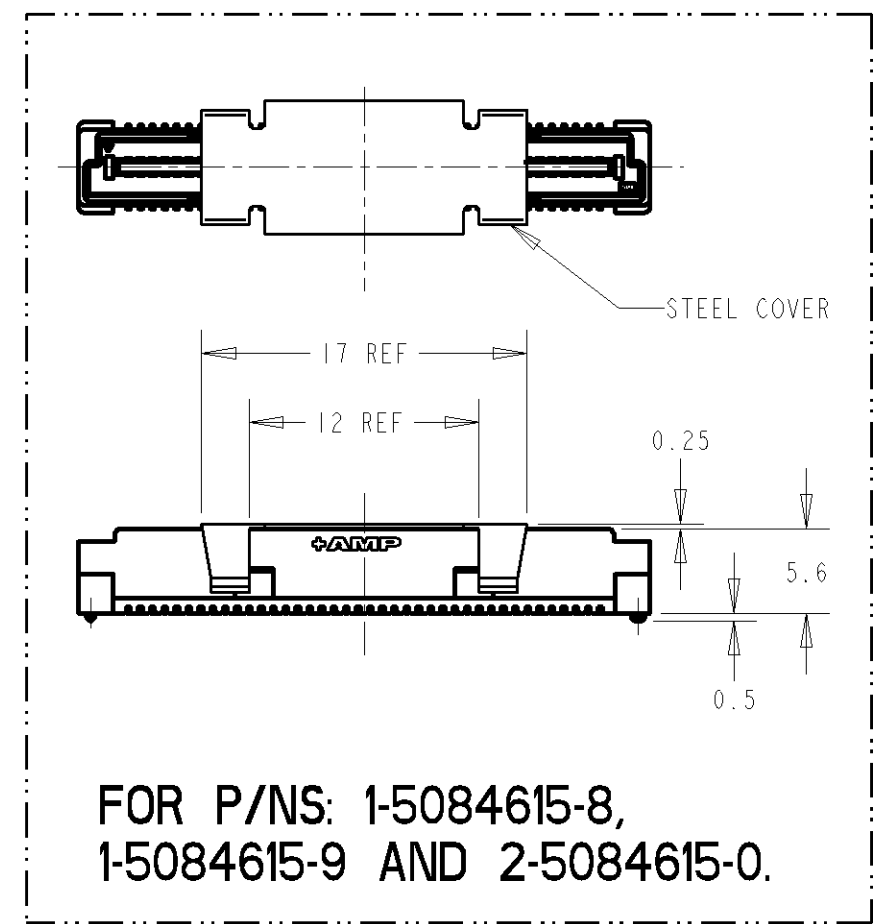
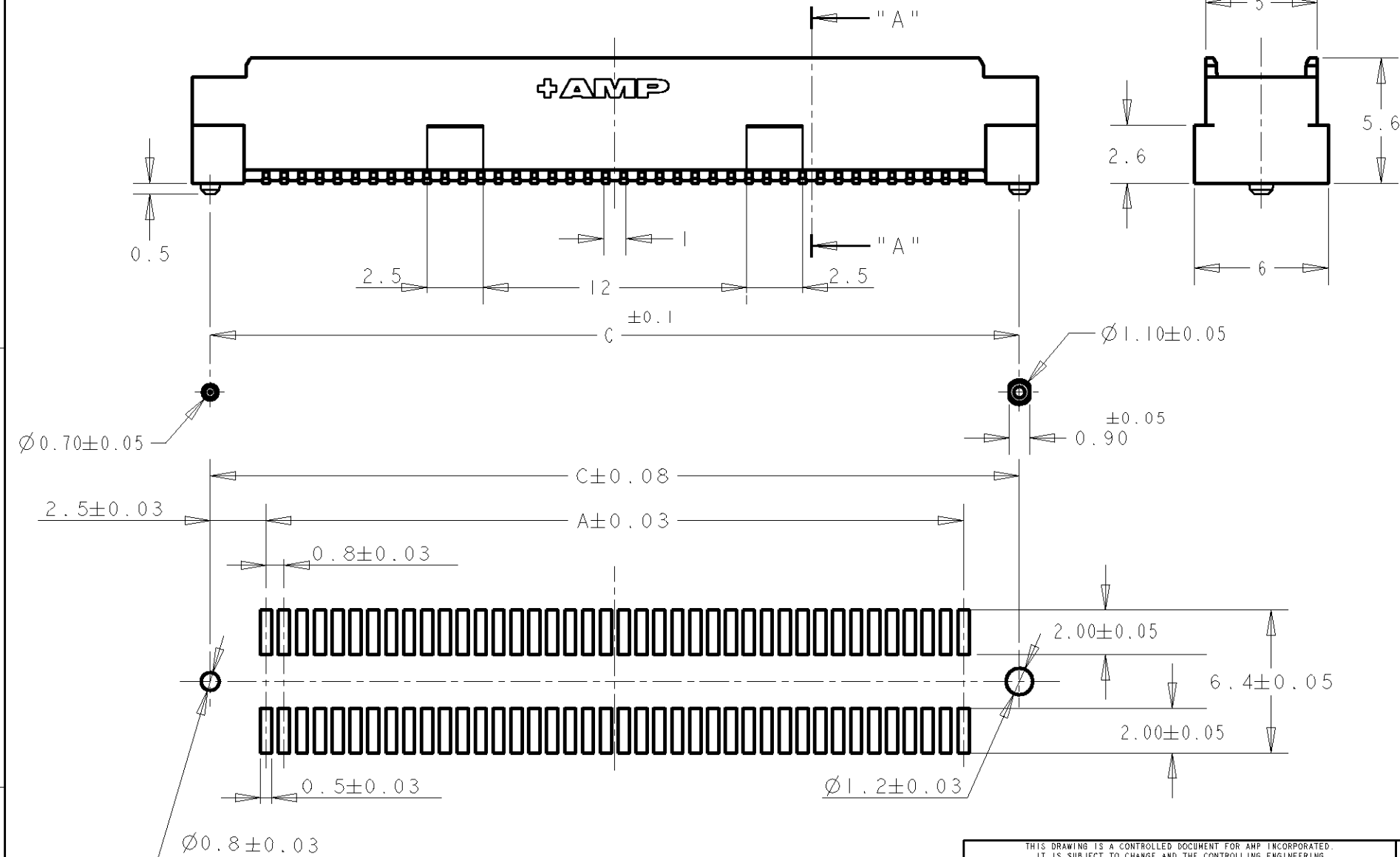


THIS DRAWING IS UNPUBLISHED. RELEASED FOR PUBLICATION .19 .
 © COPYRIGHT 19 BY AMP INCORPORATED. ALL RIGHTS RESERVED.

LOC	DIST	REVISIONS			
P	LTR	DESCRIPTION	DATE	DWN	APVD
DY	-	AI	REVISED PER ECR-06-029208	14DEC06	SYJ LSF



- NOTES:
- 1. MATERIAL: HOUSING: L.C.P. (HIGH TEMP THERMO PLASTIC) UL 94V-0, NATURAL. CONTACT: BRASS.
 - 2. FINISH: CONTACT AREA: 0.00076 MIN GOLD ON 0.0013 MIN ALL OVER NICKEL. SOLDERING AREA: 0.002 MIN MATTE TIN.
 - 3. POSITION SERIES; SEE TABLE. (SHEET 2)
 - 4. CONN STACK HEIGHT COMBINE OF PLUG "Y" H VS REC "X" H. STACK HEIGHT = Y + X - 5
 - 5. FOR STEEL COVER PICK AND PLACE VERSION, DESCRIPTION PRINTING ON TUBE IS: "PLUG ASS'Y (H=6mm), W/ STEEL COVER, 0.8mm BTB STACKING CONN"



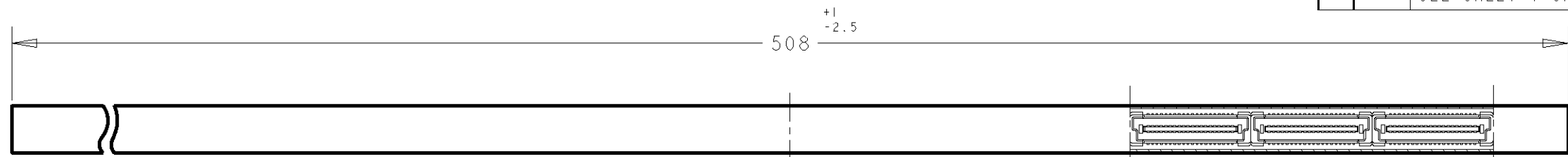
RECOMMENDED P.C. BOARD LAYOUT

P/N SEE SHEET 2 OF 2.

<small>THIS DRAWING IS A CONTROLLED DOCUMENT FOR AMP INCORPORATED. IT IS SUBJECT TO CHANGE AND THE CONTROLLING ENGINEERING ORGANIZATION SHOULD BE CONTACTED FOR THE LATEST REVISION.</small>		DWN 23AUG04 FLORENCE TAN CHK ERIC TNG APVD SF L FONG	TYCO ELECTRONICS (SINGAPORE) PTE. LTD.
DIMENSIONS: mm 	TOLERANCES UNLESS OTHERWISE SPECIFIED: 0 PLC ± 1 PLC ±0.30 2 PLC ±0.25 3 PLC ±0.20 4 PLC ± ANGLES ±3°	PRODUCT SPEC 108-5390 APPLICATION SPEC 114-5254 WEIGHT -	NAME PLUG ASSEMBLY 6H TYPE 30Au (0.5 BOSS LENGTH) FOR FH 0.8mm PITCH B-T-B CONNECTOR
MATERIAL 1	FINISH 2	CUSTOMER DRAWING	SIZE A3 CAGE CODE 00779 DRAWING NO. C-5084615 SCALE 4:1 SHEET 1 OF 2 REV A1

THIS DRAWING IS UNPUBLISHED. RELEASED FOR PUBLICATION .19
 © COPYRIGHT 19 BY AMP INCORPORATED. ALL RIGHTS RESERVED.

LOC	DIST	REVISIONS					
DY	-	P	LTR	DESCRIPTION	DATE	DWN	APVD
				- SEE SHEET 1 OF 2			

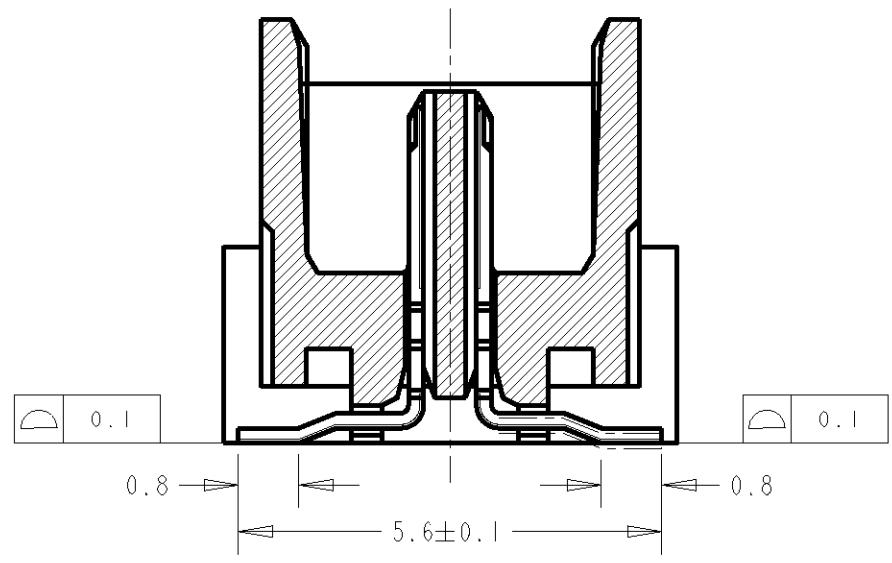
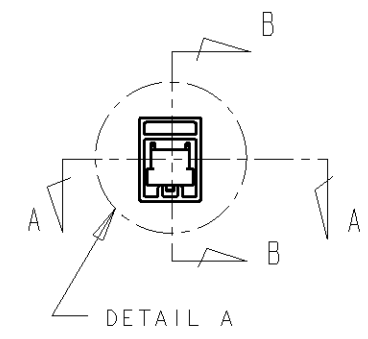


REFERENCE PICTURE OF TUBE PACK (WITHOUT STEEL COVER VERSION)

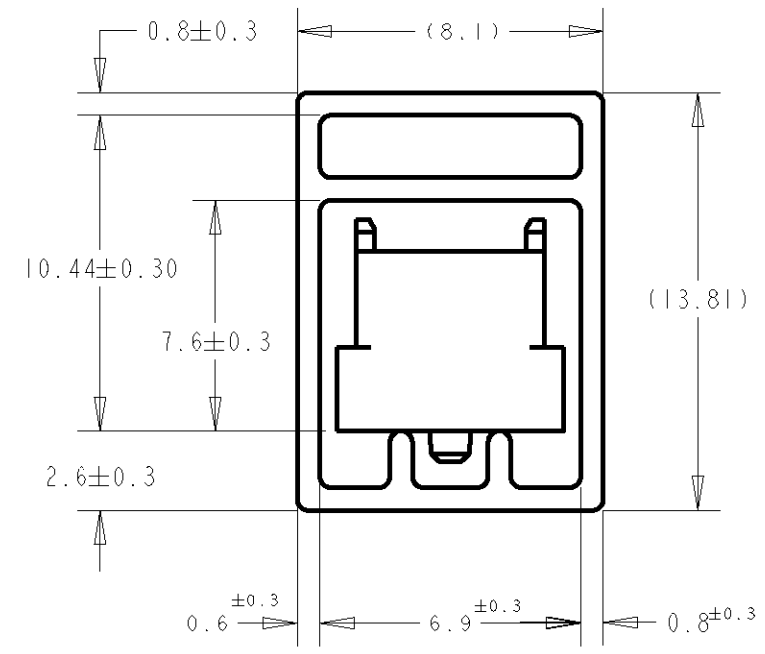


REFERENCE PICTURE OF TUBE PACK

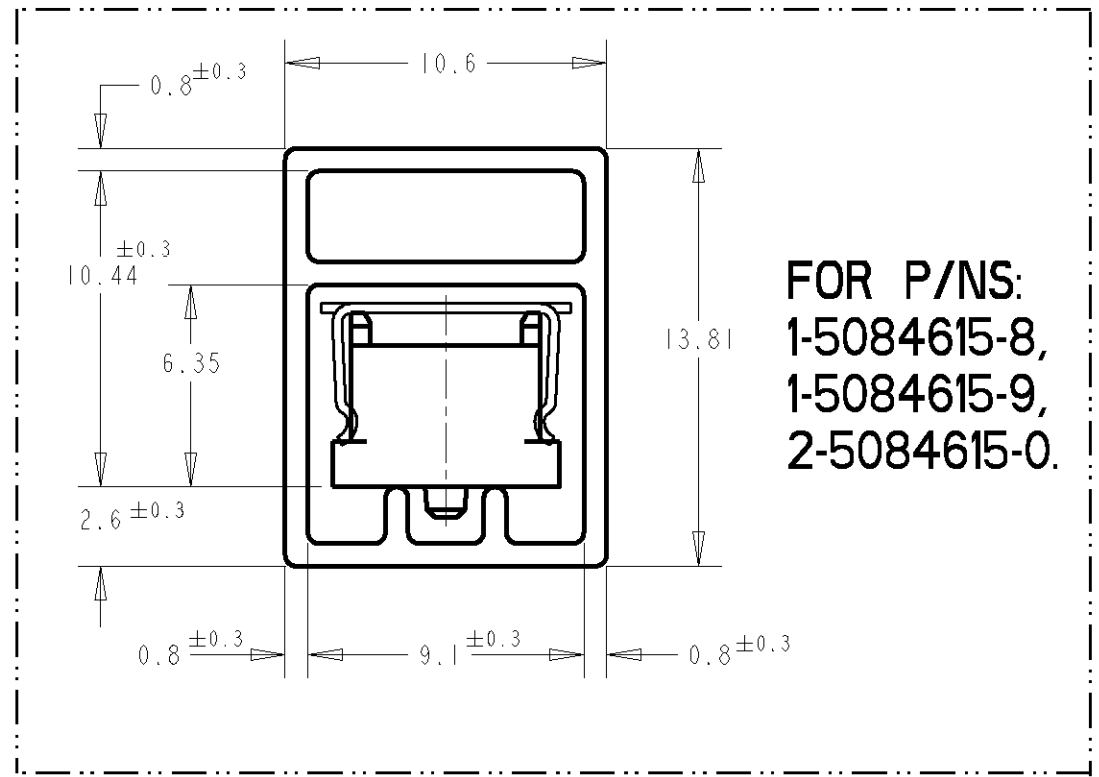
PLUG ASS'Y (H=6mm), 0.8mm BTB STACKING CONN



SECT. "A" - "A"



DETAIL "B" (SCALE 5-1)



FOR P/NS:
 1-5084615-8,
 1-5084615-9,
 2-5084615-0.

WITH STEEL COVER	AVAILABLE	5	84.2	85.8	79.2	200	2-	-0
		6	76.2	77.8	71.2	180	1-	-9
		6	68.2	69.8	63.2	160	1-	-8
		5	84.2	85.8	79.2	200	1-	-0
		6	76.2	77.8	71.2	180		-9
		6	68.2	69.8	63.2	160		-8
		7	60.2	61.8	55.2	140		-6
		9	52.2	53.8	47.2	120		-5
		10	44.2	45.8	39.2	100		-4
		12	36.2	37.8	31.2	80		-3
16	28.2	29.8	23.2	60		-2		
22	20.2	21.8	15.2	40	5084615-1			
REMARKS	STATUS	QTY/TUBE	C	B	A	POS.	CONN P/N	

THIS DRAWING IS A CONTROLLED DOCUMENT FOR AMP INCORPORATED. IT IS SUBJECT TO CHANGE AND THE CONTROLLING ENGINEERING ORGANIZATION SHOULD BE CONTACTED FOR THE LATEST REVISION.		DWN FLORENCE TAN 24AUG04	tyco Electronics	TYCO ELECTRONICS (SINGAPORE) PTE. LTD.	
DIMENSIONS: mm		CHK ERIC TNG		NAME PLUG ASSEMBLY 6H TYPE 30Au (0.5 BOSS LENGTH) FOR FH 0.8mm PITCH B-T-B CONNECTOR	
TOLERANCES UNLESS OTHERWISE SPECIFIED: 0 PLC ± 1 PLC ±0.2 2 PLC ±0.25 3 PLC ±0.3 4 PLC ± ANGLES ±3°		APVD SEIFONG	PRODUCT SPEC 108-5390		
MATERIAL		APPLICATION SPEC 114-5254	DRAWING NO C-5084615		
FINISH		WEIGHT -	SIZE A3	CAGE CODE 00779	SCALE 4:1
CUSTOMER DRAWING		SHEET 2 OF 2		REV A1	