

C 881463 1-1

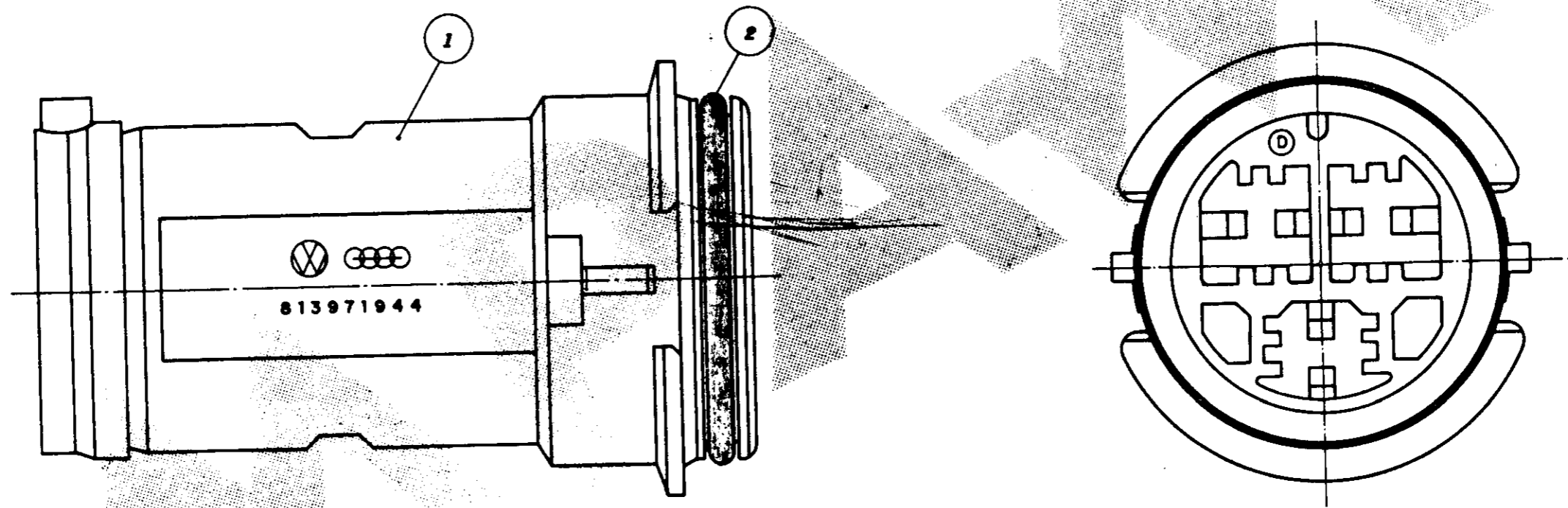
881463

DO NOT SCALE

METRIC



PN° VW	REQUIRED PER ASS'Y							ITEM N°	DESCRIÇÃO	MATERIAL	ACABAMENTO	
	-8	-7	-6	-5	-4	-3	-2					①
813 971 944	-	-	-	-	-	-	-	1	1	HOUSING FASTIN-ON TAB .250 3WAY	POLIAMIDA 6.6	PRETO MARROM VERMELHO AMARELO AZUL BRANCO VERDE CINZA
813 971 944 - 6	1	-	-	-	-	-	-	-	2	O' RING	NEOPRENE/NITRILICA	PRETO



OTHER TREATMENT	FINISH	MATERIAL	PART NUMBER
CUSTOMER DWG for REFERENCE ONLY			
THIS DRAWING IS UNPUBLISHED RELEASED FOR PUBLICATION			
© COPYRIGHT 1986 BY AMP DO BRASIL LTDA S.P. ALL INTERNATIONAL RIGHTS RESERVED AMP PRODUCTS MAY BE COVERED BY U.S. AND FOREIGN PATENTS AND/OR PATENTS PENDING.			
TOLERANCES UNLESS OTHERWISE STATED DEC. ± 0,3 ANGLES ± 1°		INS. DIA. RANGE	WIRE RANGE
		---	---
		AMP AMP do BRASIL LTDA. São Paulo, Brasil	
DR. VALTER SILVA AUG. 22, 1986		DESCRIPTION ASS'Y FASTIN-ON TAB 3 WAY	
D REMOVIDO ALIVIO EC 08/9/94 Briz JR JF 20-MAR-94		A3 DWG NO	
C1 ADICIONADO NITRILICA 08-10-92 CHK. [Signature] AUG. 25, 86		C 881463	
C ADICIONADO -1 "PRETO" PP 24-11-88		SHEET	
B REVISADO LC 14-1-88		1 of 1	
A ERA P86-29076 LC 03-2-88			
REVISION	RECORD	DR	CHK
			DATE