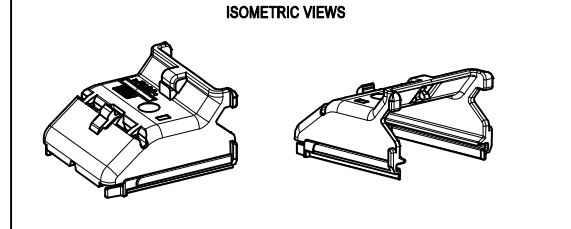
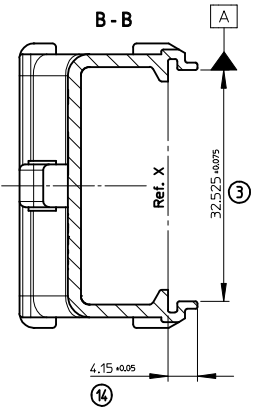
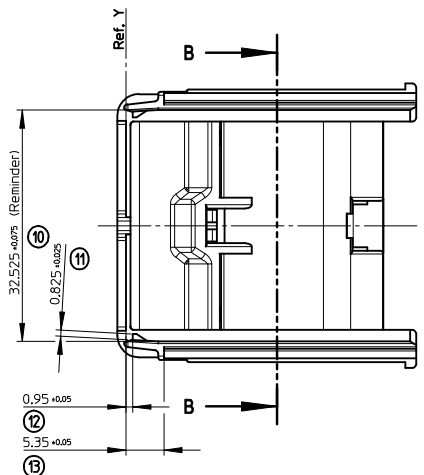
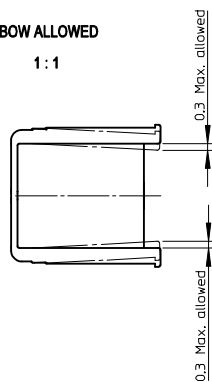
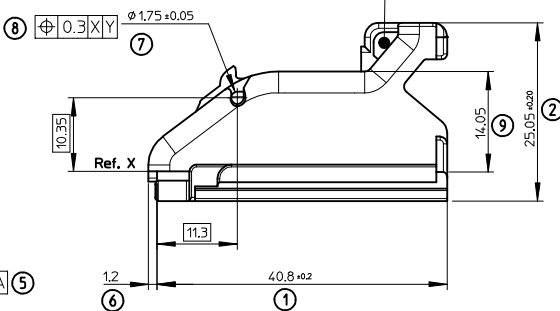
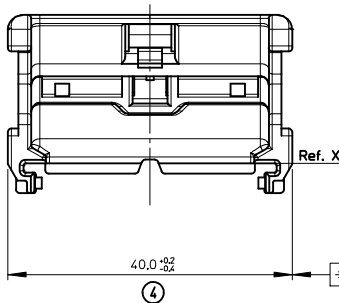
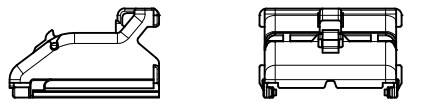


BOW ALLOWED

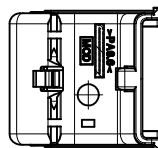
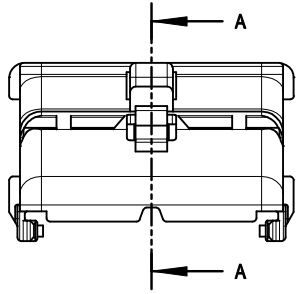
1:1



ISOMETRIC VIEWS



This hole accept a cable-tie with a maximum section: 3.2 x 1.2mm

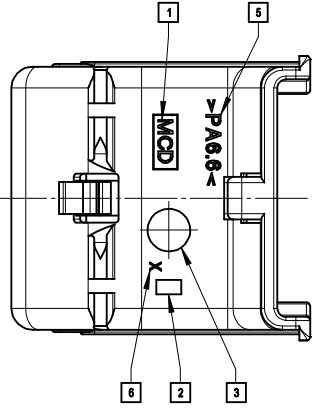


1:1

- MARKINGS:**
- 1 - Supplier Acronym: MCD
  - 2 - Revision Level
  - 3 - Datum Month/Year
  - 5 - Material
  - 8 - Preint Identification N°

- NOTES:**
- 1 -Material: >PA6.6< , Color: Black, Spec.: Heat Stabilized.
  - 2 -Delivered Product Weight: 6.000 g
  - 3 -Related Counterpart: Female Connector CMC 53 Ways.

INSPECTION BALLOON NUMBER LOG	
PER DRAWING REVISION:	C
LAST BALLOON NUMBER USED:	19
ADDED BALLOON NUMBERS:	
REMOVED BALLOON NUMBERS:	

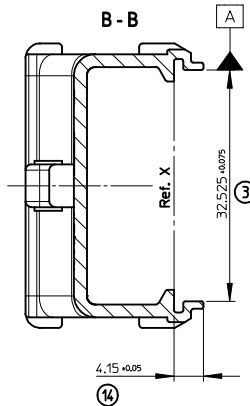
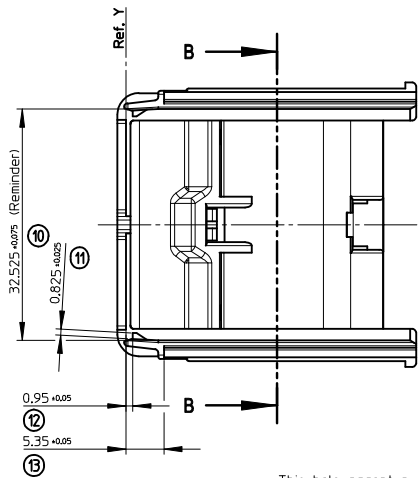
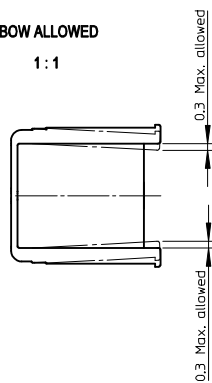


C	UPDATE ATTACHED LINE FOR DIM#19
B	- DELETE MARKING 4 - SUPPLIER ACRONYM MCD WAS MXG
A	FIRST RELEASE

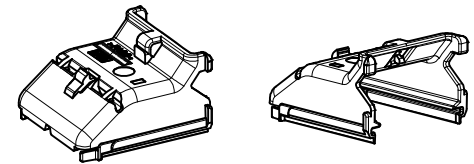
UPDATE DIM#19		GENERAL TOLERANCES (UNLESS SPECIFIED)		DIMENSION STYLE		SCALE	DESIGN UNITS	FIRST ANGLE PROJECTION
REV	DESCRIPTION	mm	INCH	MM ONLY	DATE	2:1	METRIC	PROJECTION
		4 PLACES	± 0.1	± 0.1	2008/04/22			
		3 PLACES	± 0.1	± 0.1	2008/04/22			
		2 PLACES	± 0.1	± 0.1	2008/04/22			
		1 PLACE	± 0.1	± 0.1	2008/04/22			
		0 PLACE	± 0.1	± 0.1	2008/04/23			
		ANGULAR ± 2 °		DRAWN BY		TITLE		
		DRAFT WHERE APPLICABLE MUST REMAIN WITHIN DIMENSIONS		G. DESBRUERES		WIRE CAP CMC 53W		
				CHECKED BY				
				O. PLESSIS				
				APPROVED BY				
				L. STICKEIR				
				MATERIAL NO.		DOCUMENT NO.		
				0643211101		SD-64321-002		
				SIZE		SHEET NO.		
				A2		1 OF 1		
		THIS DRAWING CONTAINS INFORMATION THAT IS PROPRIETARY TO MOLEX INCORPORATED AND SHOULD NOT BE USED WITHOUT WRITTEN PERMISSION						

BOW ALLOWED

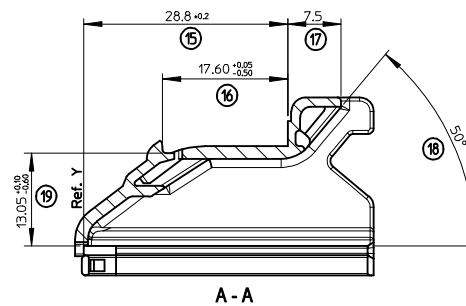
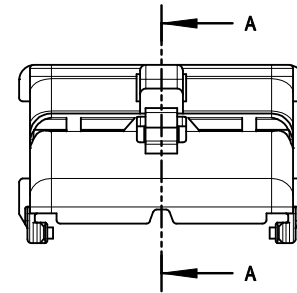
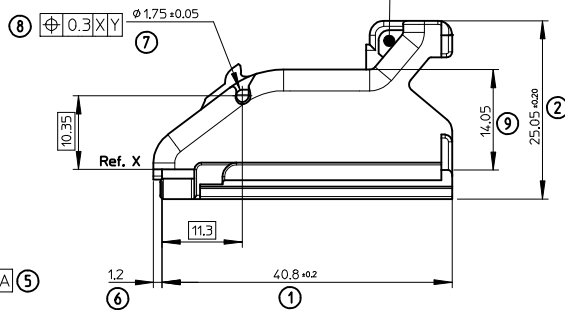
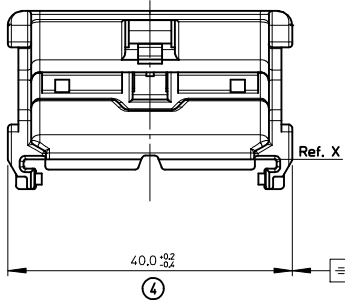
1:1



ISOMETRIC VIEWS



This hole accept a cable-tie with a maximum section: 3.2 x 1.2mm



MARKINGS:

- 1 - Supplier Acronym: MCD
- 2 - Revision Level
- 3 - Datum Month/Year

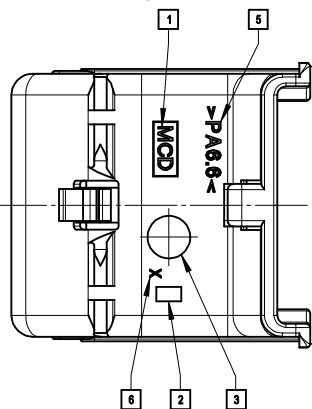
- 5 - Material
- 8 - Preint Identification N°

NOTES:

- 1 -Material: >PA6.6< , Color: Black, Spec.: Heat Stabilized.
- 2 -Delivered Product Weight: 6.000 g
- 3 -Related Counterpart: Female Connector CMC 53 Ways.

INSPECTION BALLOON NUMBER LOG

PER DRAWING REVISION: C  
 LAST BALLOON NUMBER USED: 19  
 ADDED BALLOON NUMBERS:  
 REMOVED BALLOON NUMBERS:



C	UPDATE ATTACHED LINE FOR DIM#19
B	- DELETE MARKING 4 - SUPPLIER ACRONYM MCD WAS MXG
A	FIRST RELEASE

UPDATE DIM#19 EC NO: GZ015-0071 DRW: PBOUAIN 2014/11/17 CHK: APLESSIS 2014/11/17 APPR: BOUCHAN 2015/01/07	DESCRIPTION [REDACTED]	GENERAL TOLERANCES (UNLESS SPECIFIED)		DIMENSION STYLE MM ONLY	SCALE 2:1	DESIGN UNITS METRIC	FIRST ANGLE PROJECTION
		4 PLACES ± --- ± --- 3 PLACES ± --- ± --- 2 PLACES ± 0.1 ± --- 1 PLACE ± 0.1 ± --- 0 PLACE ± 0.1 ± ---	DRAWN BY G. DESBRUERES	DATE 2008/04/22	TITLE WIRE CAP CMC 53W	MATERIAL NO. 0643211101	DOCUMENT NO. SD-64321-002
ANGULAR ± 2 ° DRAFT WHERE APPLICABLE MUST REMAIN WITHIN DIMENSIONS		THIS DRAWING CONTAINS INFORMATION THAT IS PROPRIETARY TO MOLEX INCORPORATED AND SHOULD NOT BE USED WITHOUT WRITTEN PERMISSION					