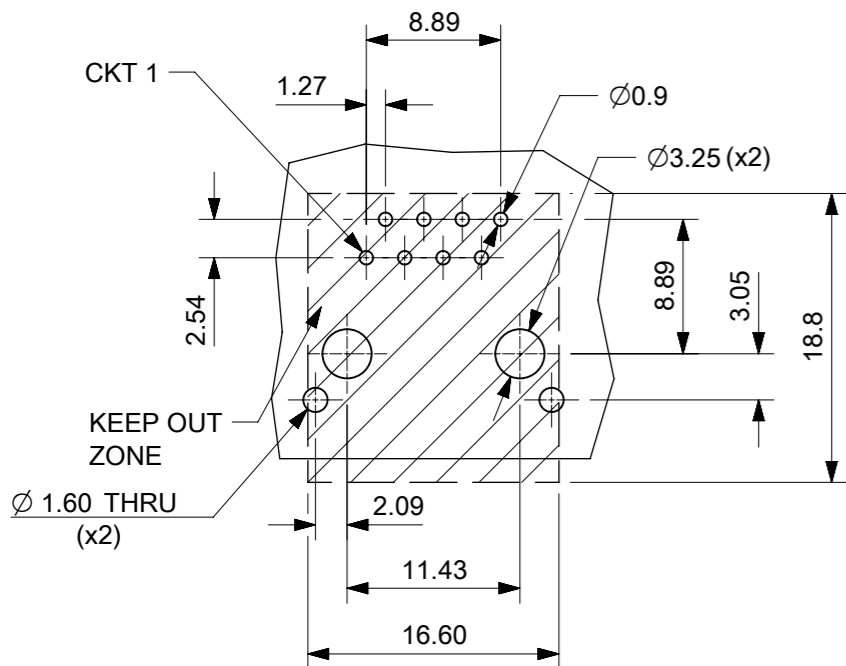


P.C.B. MOUNTING PATTERNS
VIEW FROM COMPONENT SIDE
ALL DIMENSIONS REF DIMENSIONS
SCALE 2:1



PART NO.	PLATING
85542-7003	7

TECHNICAL SPECIFICATIONS:

MATERIAL

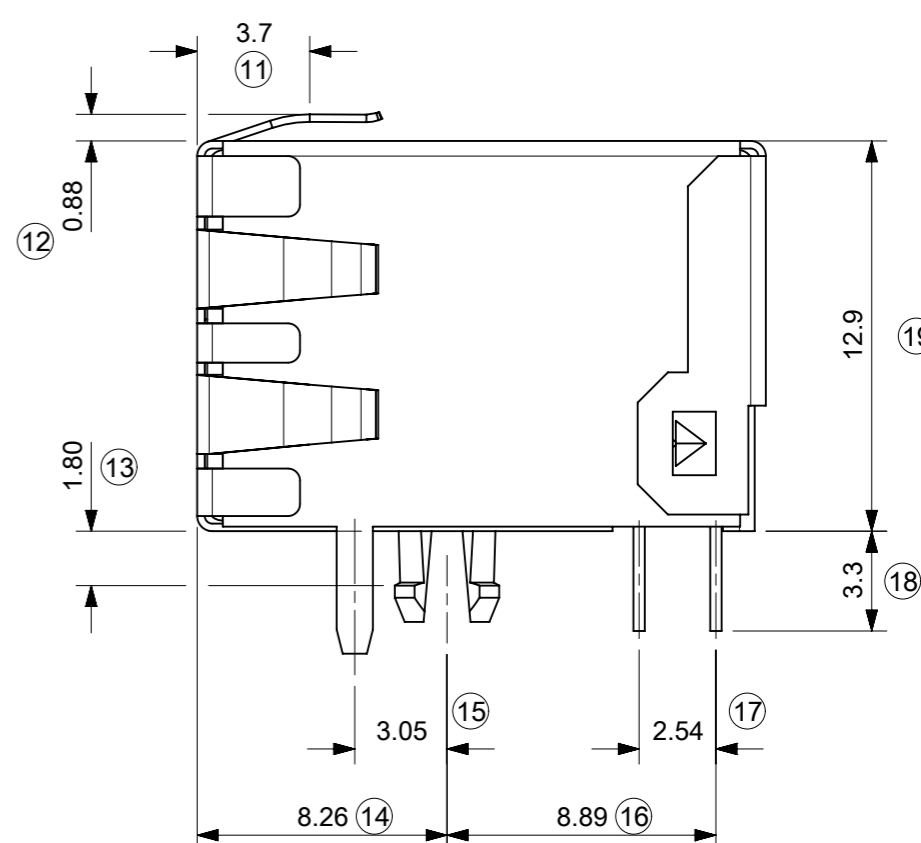
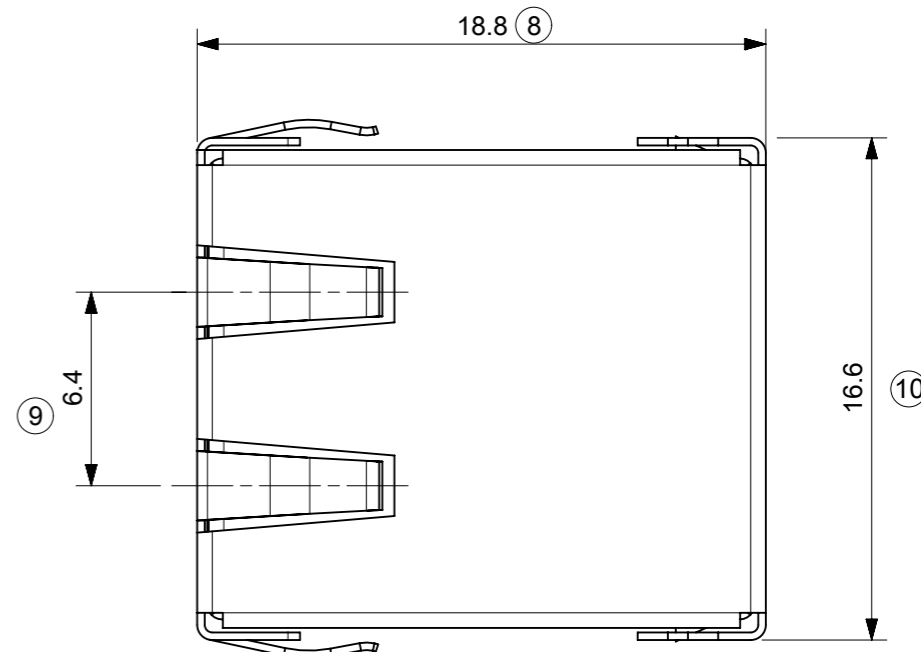
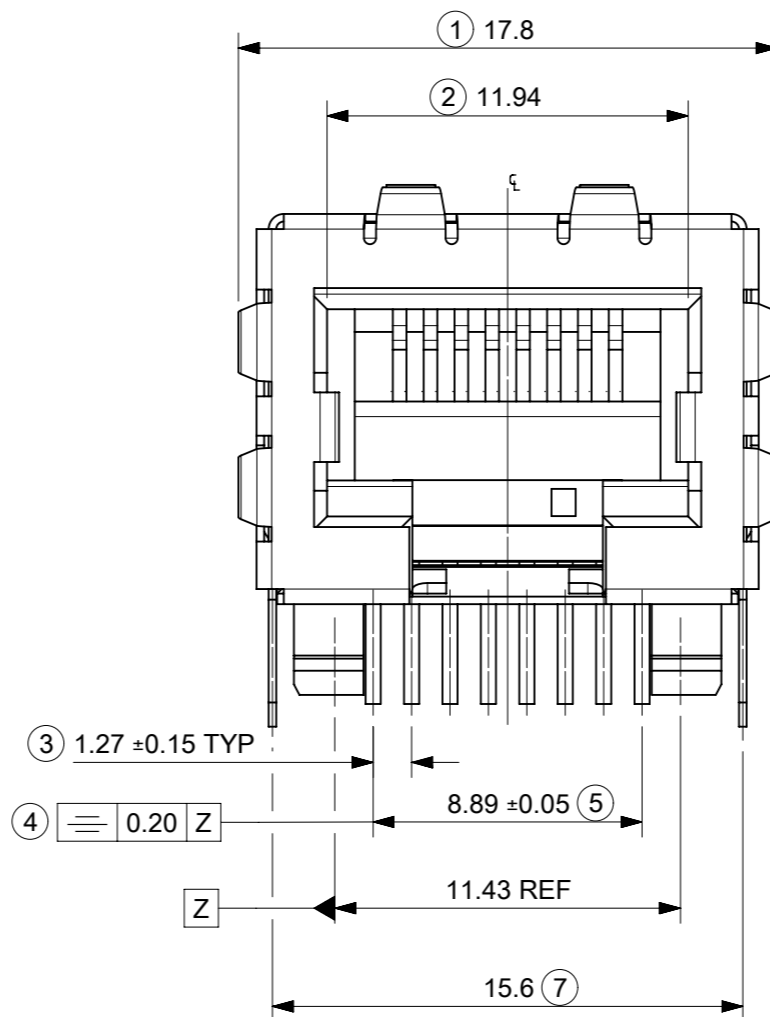
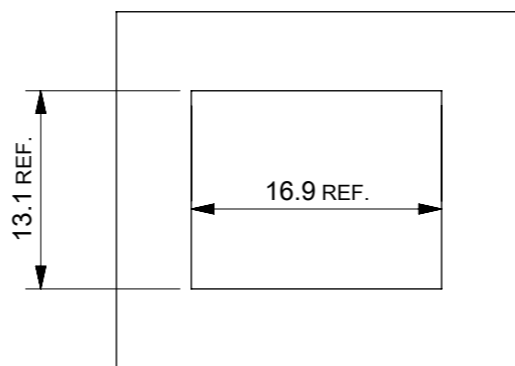
HOUSING: LCP GLASS FILLED UL 94-V0, COLOR BLACK
 TERMINAL: COPPER ALLOY PLATED WITH:
 PLATING 7: POST PLATE 0.00005 MIN GOLD FLASH OVER
 0.00060 MIN PALLADIUM-NICKEL IN CONTACT AREA
 0.00190 MIN PURE TIN IN TAIL AREA
 BOTH OVER 0.00127 MIN NICKEL OVERALL
 SHIELD: BRASS PLATED WITH TIN

NOTES:

- 1 JACK FOR MATING WITH RJ45 PLUG
MOLEX 95043 SERIES
- 2 PRODUCT SPECIFICATION: PS-95622-001
- 3 PACKAGING SPECIFICATION PK-85542-003
- 4 PCB BOARD THICKNESS: 1.57

LAST INSPECTION No: 19
 REMOVED INSPECTION NO: 6

SUGGESTED PANEL CUTOUT
SCALE 2:1



THIS DRAWING CONTAINS INFORMATION THAT IS PROPRIETARY TO MOLEX ELECTRONIC TECHNOLOGIES, LLC AND SHOULD NOT BE USED WITHOUT WRITTEN PERMISSION		CURRENT REV DESC: ADDED PANEL CUTOUT		molex	
DIMENSION UNITS	SCALE	R/A FULLY SHIELDED JACK 8/8 T/HOLE W. FRONT SHIELD SPRINGS			
mm	4:1	PRODUCT CUSTOMER DRAWING		DOCUMENT NUMBER	
GENERAL TOLERANCES (UNLESS SPECIFIED)		EC NO: 735778		SD-85542-503	
ANGULAR TOL ± 0.5°		DRWN: DBYRNES 2022/05/09		DOC TYPE	
4 PLACES ±		CHK'D: KLANG 2023/01/27		PSD	
3 PLACES ±		APPR: KLANG 2023/01/27		DOC PART	
2 PLACES ± 0.25		INITIAL REVISION:		001	
1 PLACE ± 0.35		DRWN: DBYRNES 2006/09/05		D	
0 PLACES ±		APPR: EOMAHONY 2006/09/06		REVISION	
DRAFT WHERE APPLICABLE MUST REMAIN WITHIN DIMENSIONS		THIRD ANGLE PROJECTION	DRAWING	SERIES	MATERIAL NUMBER
			A3-SIZE	85542	SEE CHART
					CUSTOMER
					GENERAL MARKET
					SHEET NUMBER
					1 OF 1