



GS1535B / GS9065B HD-LINX® II Multi-Rate SDI Automatic Reclocker

Features

GS1535B

- SMPTE 292M, 259M and 344M compliant
- Supports data rates of 143, 177, 270, 360, 540, 1483.5, 1485 Mb/s
- Supports DVB-ASI at 270Mb/s
- Pb-free and RoHS Compliant
- Footprint compatible with the GS1535, GS9065 and GS9065B Automatic Reclockers
- Auto and Manual Modes for rate selection
- Standards indication in Auto Mode
- 4:1 input multiplexer
- Lock Detect Output
- On-chip Input and Output Termination
- Differential 50Ω inputs and outputs
- Mute, Bypass and Autobypass functions
- SD/HD indication output to control GS1528A Dual Slew-Rate Cable Driver
- Single 3.3V power supply
- Operating temperature range: 0°C to 70°C

GS9065B

- SMPTE 259M and 344M compliant
- Supports data rates of 143, 177, 270, 360, and 540Mb/s
- Supports DVB-ASI at 270Mb/s
- Pb-free and RoHS Compliant
- Footprint compatible with the GS1535, GS9065 and GS1535B Automatic Reclockers
- Auto and Manual Modes for rate selection
- Standards indication in Auto Mode
- 4:1 input multiplexer
- Lock Detect Output
- On-chip Input and Output Termination
- Differential 50Ω inputs and outputs
- Mute, Bypass and Autobypass functions
- Single 3.3V power supply
- Operating temperature range: 0°C to 70°C

Applications

GS1535B

- SMPTE 292M, SMPTE 259M and SMPTE 344M Serial Digital Interfaces

GS9065B

- SMPTE 259M and SMPTE 344M Serial Digital Interfaces.

Description

The GS1535B/9065B is a Multi-Rate Serial Digital Reclocker designed to automatically recover the embedded clock from a digital video signal and re-time the incoming video data.

The GS1535B Serial Digital Reclocker will recover the embedded clock signal and re-time the data from a SMPTE 292M, SMPTE 259M or SMPTE 344M compliant digital video signal.

The GS9065B Serial Digital Reclocker will recover the embedded clock signal and re-time the data from a SMPTE 259M or SMPTE 344M compliant digital video signal.

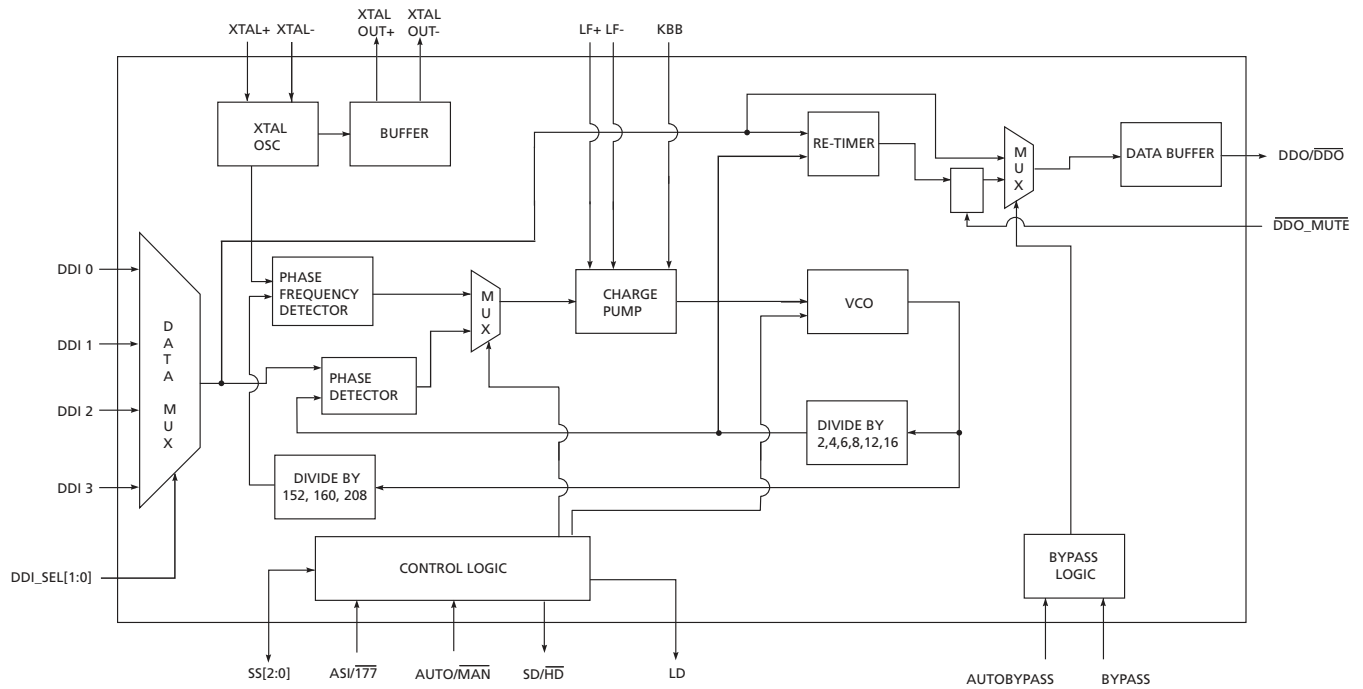
The GS1535B/9065B removes the high frequency jitter components from the bit-serial stream. Input termination is on-chip for seamless matching to 50Ω transmission lines. An LVPECL compliant output interfaces seamlessly to the GS1528A/9068A Cable Driver.

The GS1535B/9065B can operate in either auto or manual rate selection mode. In Auto mode the device will automatically detect and lock onto incoming SMPTE SDI data signals at any supported rate. For single rate data systems, the GS1535B/9065B can be configured to operate in Manual mode. In both modes, the device requires only one external crystal to set the VCO frequency when not locked and provides adjustment free operation.

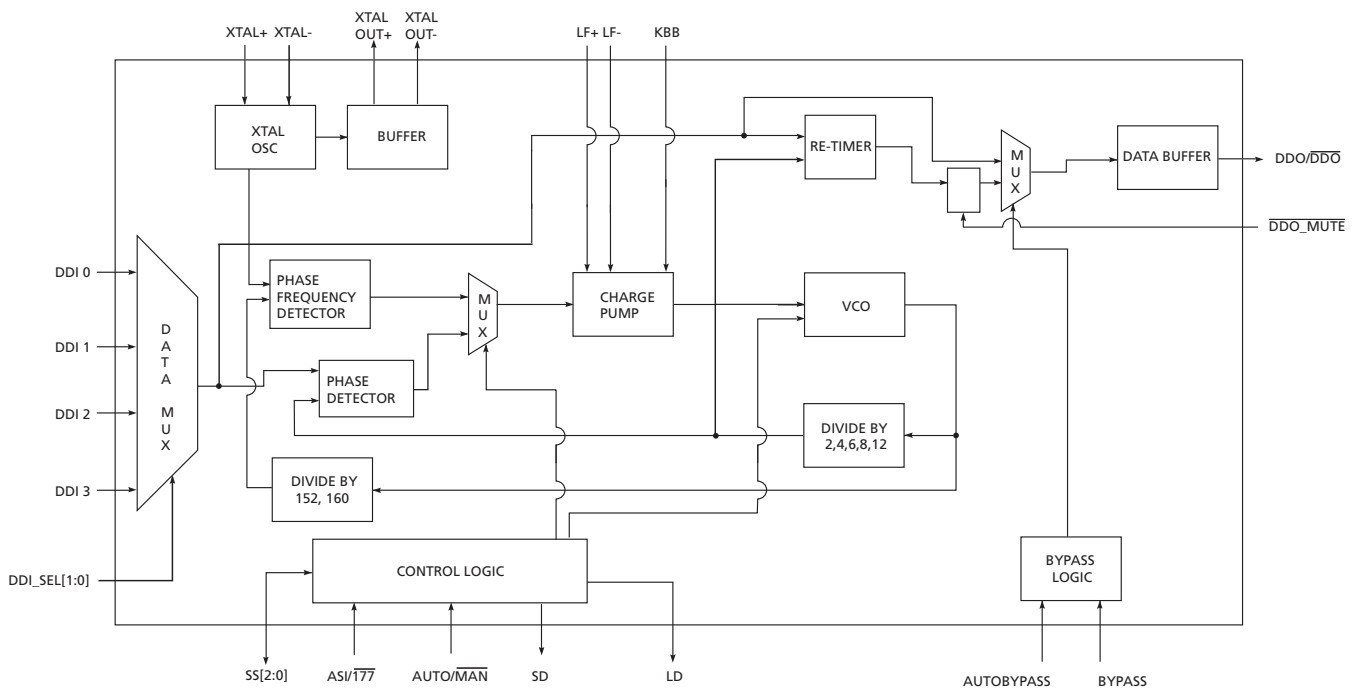
In systems which require passing of non-SMPTE data rates, the GS1535B/9065B can be configured to either automatically or manually enter a bypass mode in order to pass the signal without reclocking.

The ASI/ $\overline{177}$ input pin allows for manual selection of support of either 177Mb/s or DVB-ASI inputs.

The GS1535B/9065B is Pb-free, and the encapsulation compound does not contain halogenated flame retardant (RoHS Compliant).



GS1535B Functional Block Diagram



GS9065B Functional Block Diagram

Revision History

Version	ECR	PCN	Date	Changes and/or Modifications
1	152098	–	June 2009	Updated document format.
0	141776	–	August 2006	Converting to Preliminary Data Sheet. Removed 'Proprietary and Confidential' footer.
A	141211	–	July 2006	New Document.

Contents

Features.....	1
Applications.....	1
Description.....	1
Revision History	3
1. Pin Out.....	5
1.1 GS1535B Pin Assignment	5
1.2 GS9065B Pin Assignment	6
1.3 GS1535B / GS9065B Pin Descriptions	7
2. Electrical Characteristics	10
2.1 Absolute Maximum Ratings	10
2.2 DC Electrical Characteristics	10
2.3 AC Electrical Characteristics	11
3. Input/Output Circuits	13
4. Detailed Description.....	16
4.1 Slew Rate Phase Lock Loop (S-PLL)	16
4.2 VCO	17
4.3 Charge Pump	17
4.4 Frequency Acquisition Loop — The Phase-Frequency Detector	18
4.5 Phase Acquisition Loop — The Phase Detector	18
4.6 4:1 Input Mux	19
4.7 Automatic and Manual Data Rate Selection	19
4.8 Bypass Mode	20
4.9 DVB-ASI Operation	20
4.10 Lock Indicator	21
4.11 Output Drivers	21
4.12 Output Mute	21
5. Typical Application Circuits	22
6. Package & Ordering Information.....	24
6.1 Package Dimensions	24
6.2 Packaging Data	25

6.3 Solder Reflow Profiles 25
6.4 Ordering Information 26

1. Pin Out

1.1 GS1535B Pin Assignment

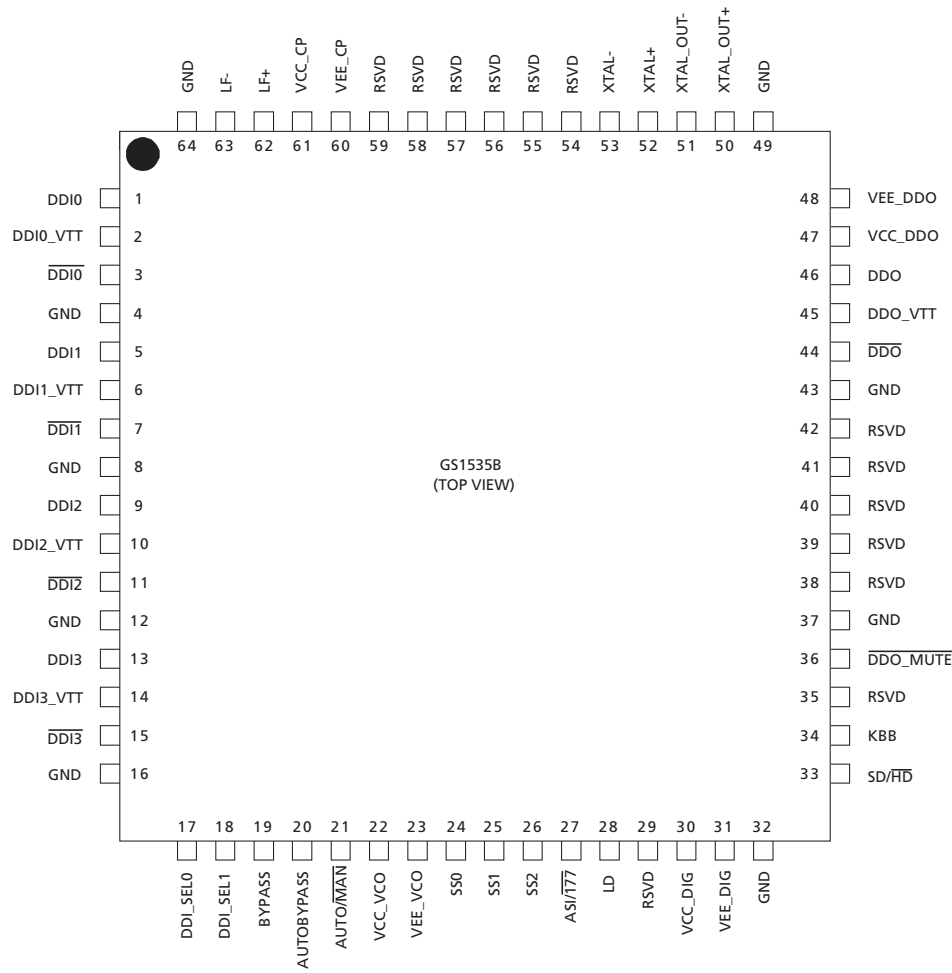


Figure 1-1: 64-Pin LQFP

1.2 GS9065B Pin Assignment

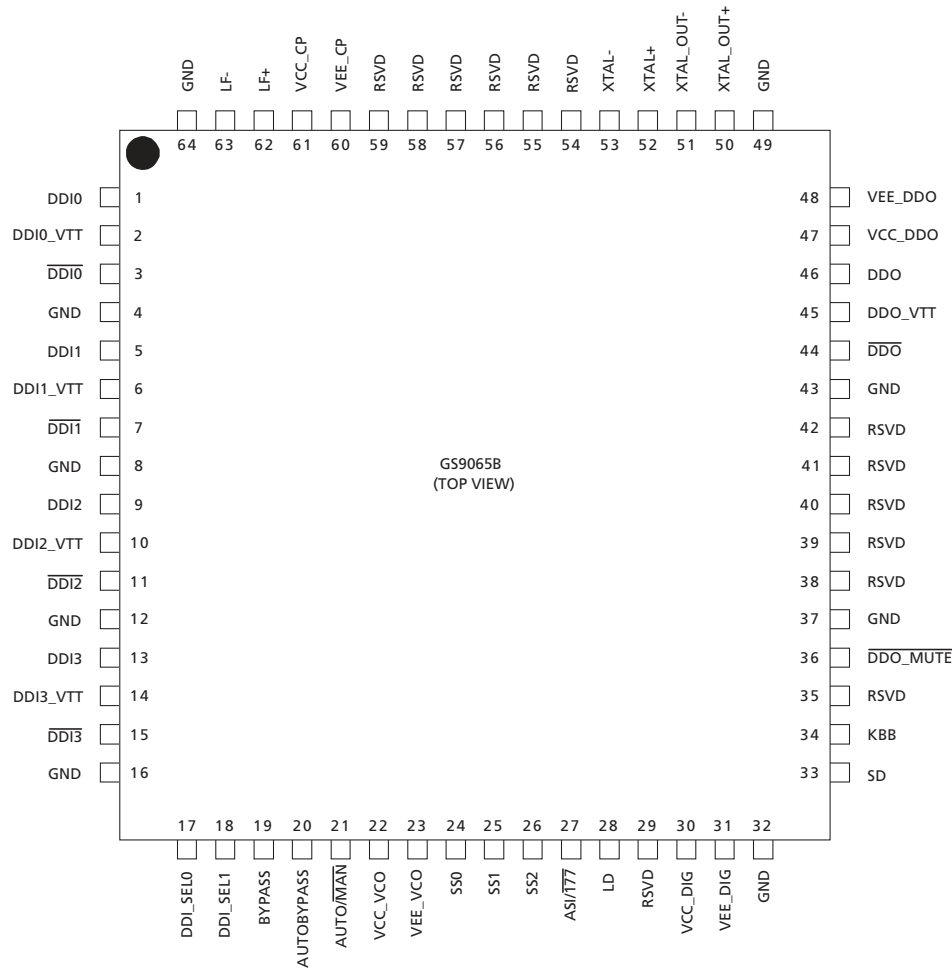


Figure 1-2: 64-Pin LQFP

1.3 GS1535B / GS9065B Pin Descriptions

Table 1-1: GS1535B / GS9065B Pin Descriptions

Pin Number	Name	Type	Description															
1, 3	DDI0, $\overline{\text{DDI0}}$	Input	Serial digital differential input 0.															
2	DDI0_VTT	Passive	Center tap of two 50Ω on-chip termination resistors between DDI0 and $\overline{\text{DDI0}}$.															
4, 8, 12, 16, 32, 37, 43, 49, 64	GND	Passive	Recommended connect to GND.															
5, 7	DDI1, $\overline{\text{DDI1}}$	Input	Serial digital differential input 1.															
6	DDI1_VTT	Passive	Center tap of two 50Ω on-chip termination resistors between DDI1 and $\overline{\text{DDI1}}$.															
9, 11	DDI2, $\overline{\text{DDI2}}$	Input	Serial digital differential input 2.															
10	DDI2_VTT	Passive	Center tap of two 50Ω on-chip termination resistors between DDI2 and $\overline{\text{DDI2}}$.															
13, 15	DDI3, $\overline{\text{DDI3}}$	Input	Serial digital differential input 3.															
14	DDI3_VTT	Passive	Center tap of two 50Ω on-chip termination resistors between DDI3 and $\overline{\text{DDI3}}$.															
17, 18	DDI_SEL[1:0]	Logic Input	Serial digital input select. <table border="1" style="margin-left: auto; margin-right: auto;"> <thead> <tr> <th>DDI_SEL1</th> <th>DDI_SEL0</th> <th>INPUT SELECTED</th> </tr> </thead> <tbody> <tr> <td>0</td> <td>0</td> <td>DDI0</td> </tr> <tr> <td>0</td> <td>1</td> <td>DDI1</td> </tr> <tr> <td>1</td> <td>0</td> <td>DDI2</td> </tr> <tr> <td>1</td> <td>1</td> <td>DDI3</td> </tr> </tbody> </table>	DDI_SEL1	DDI_SEL0	INPUT SELECTED	0	0	DDI0	0	1	DDI1	1	0	DDI2	1	1	DDI3
DDI_SEL1	DDI_SEL0	INPUT SELECTED																
0	0	DDI0																
0	1	DDI1																
1	0	DDI2																
1	1	DDI3																
19	BYPASS	Logic Input	Bypass the reclocker stage. When BYPASS is HIGH, it overwrites the AUTOBYPASS setting.															
20	AUTOBYPASS	Logic Input	Automatically bypasses the reclocker stage when the PLL is not locked This pin is ignored when BYPASS is HIGH.															
21	AUTO/ $\overline{\text{MAN}}$	Logic Input	Auto/Manual select. When set HIGH, the standard is automatically detected from the input data rate. When set LOW, the user must program the input standard using the SS[2:0] pins.															
22	VCC_VCO	Power	Most positive power supply connection for the internal VCO section. Connect to 3.3V.															
23	VEE_VCO	Power	Most negative power supply connection for the internal VCO section. Connect to GND.															

Table 1-1: GS1535B / GS9065B Pin Descriptions (Continued)

Pin Number	Name	Type	Description																												
24, 25, 26	SS[2:0]	Bi-directional	<p>When $\text{AUTO}/\overline{\text{MAN}}$ is HIGH, SS[0:2] are outputs, displaying the data rate to which the PLL has locked.</p> <p>When $\text{AUTO}/\overline{\text{MAN}}$ is LOW, SS[0:2] are inputs, forcing the PLL to lock only to a selected data rate</p> <table border="1" style="width: 100%; margin-top: 10px;"> <thead> <tr> <th>SS2</th> <th>SS1</th> <th>SS0</th> <th>DATA RATE SELECTED/FORCED (Mb/s)</th> </tr> </thead> <tbody> <tr> <td>0</td> <td>0</td> <td>0</td> <td>143</td> </tr> <tr> <td>0</td> <td>0</td> <td>1</td> <td>177</td> </tr> <tr> <td>0</td> <td>1</td> <td>0</td> <td>270</td> </tr> <tr> <td>0</td> <td>1</td> <td>1</td> <td>360</td> </tr> <tr> <td>1</td> <td>0</td> <td>0</td> <td>540</td> </tr> <tr> <td>1</td> <td>0</td> <td>1</td> <td>1483.5/1485*</td> </tr> </tbody> </table>	SS2	SS1	SS0	DATA RATE SELECTED/FORCED (Mb/s)	0	0	0	143	0	0	1	177	0	1	0	270	0	1	1	360	1	0	0	540	1	0	1	1483.5/1485*
SS2	SS1	SS0	DATA RATE SELECTED/FORCED (Mb/s)																												
0	0	0	143																												
0	0	1	177																												
0	1	0	270																												
0	1	1	360																												
1	0	0	540																												
1	0	1	1483.5/1485*																												
<p>* Only applies to the GS1535B. For the GS9065B, when $\text{AUTO}/\overline{\text{MAN}}$ is LOW, the pin settings SS[0:2] = 101 will be ignored by the device.</p>																															
27	ASI/ $\overline{177}$	Logic Input	<p>When set HIGH, the device disables the 177Mb/s data rate in the data rate detection circuit. This prevents a false lock to 177Mb/s when using DVB-ASI.</p> <p>When set LOW, 177Mb/s lock is possible, however, if a 270Mb/s ASI signal is applied, the device could false lock to the 177MHz signal.</p>																												
28	LD	Output	<p>Lock Detect.</p> <p>This pin is set HIGH by the device when the PLL is locked.</p>																												
29	RSVD	Reserved	Do not connect.																												
30	VCC_DIG	Power	Most positive power supply connection for the internal glue logic. Connect to 3.3V.																												
31	VEE_DIG	Power	Most negative power supply connection for the internal glue logic. Connect to GND.																												
33	SD/ $\overline{\text{HD}}$	Output	<p>GS1535B:</p> <p>This signal will be set LOW by the device when the reclocker has locked to 1.485Gbps or 1.485/1.001Gbps, or when a non-SMPTE standard is applied (i.e. the device is not locked).</p> <p>It will be set HIGH when the reclocker has locked to 143Mbps, 177Mbps, 270Mbps, 360Mbps, or 540Mbps.</p> <p>GS9065B:</p> <p>This signal will go HIGH when the reclocker has locked to the input SD signal. It will be LOW otherwise.</p>																												
34	KBB	Analog Input	<p>Controls the loop bandwidth of the PLL.</p> <p>Leave this pin floating for serial reclocking applications.</p>																												
35, 38 - 42	RSVD	Reserved	Do not connect.																												
36	$\overline{\text{DDO_MUTE}}$	Logic Input	Mutes the DDO/ $\overline{\text{DDO}}$ outputs, when not in bypass mode.																												

Table 1-1: GS1535B / GS9065B Pin Descriptions (Continued)

Pin Number	Name	Type	Description
43	GND_DRV	Passive	Recommended connect to GND.
44, 46	$\overline{\text{DDO}}$, DDO	Output	Differential Serial Digital Outputs.
45	DDO_VTT	Passive	Do not connect. NOTE: This pin is not connected internally. Previous external application circuitry from the original GS1535/9065 may remain in order to maintain footprint compatibility.
47	VCC_DDO	Power	Most positive power supply connection for the DDO/ $\overline{\text{DDO}}$ output driver. Connect to 3.3V.
48	VEE_DDO	Power	Most negative power supply connection for the DDO/ $\overline{\text{DDO}}$ output driver. Connect to GND.
50, 51	XTAL_OUT+, XTAL_OUT-	Output	Differential outputs of the reference oscillator used for monitoring or test purposes.
52, 53	XTAL+, XTAL-	Input	Reference crystal input. Connect to the GO1535.
54 - 59	RSVD	Reserved	Do Not Connect. NOTE: These pins are not connected internally. Previous external application circuitry from the original GS1535/9065 may remain in order to maintain footprint compatibility.
60	VEE_CP	Power	Most negative power supply connection for the internal charge pump. Connect to GND.
61	VCC_CP	Power	Most positive power supply connection for the internal charge pump. Connect to 3.3V.
62, 63	LF+, LF-	Passive	Loop filter capacitor connection. ($C_{LF} = 47\text{nF}$).

2. Electrical Characteristics

2.1 Absolute Maximum Ratings

Parameter	Value
Supply Voltage	+3.6 V _{DC}
Input ESD Voltage	2kV
Storage Temperature Range	-50°C < T _s < 125°C
Input Voltage	V _{CC} + 0.5V
Operating Temperature Range	0°C to 70°C

2.2 DC Electrical Characteristics

Table 2-1: DC Electrical Characteristics

V_{CC} = 3.3V, T_A = 0°C to 70°C, unless otherwise shown

Parameter	Symbol	Conditions	Min	Typ	Max	Units	Test Levels
Supply Voltage	V _{CC}	Operating Range	3.1	3.3	3.5	V	3
Supply Current	I _{CC}	T _A =25°C	–	195	230	mA	1
Power Consumption	–	T _A =25°C	–	645	–	mW	5
Logic Inputs	V _{IH}	High	2.0	–	–	V	3
DDI_SEL[1:0], BYPASS, AUTOBYPASS, AUTO $\overline{\text{MAN}}$, ASI/177, DDO_MUTE	V _{IL}	Low	–	–	0.8	V	3
Logic Outputs	V _{OH}	250uA Load	2.4	–	–	V	3
SD $\overline{\text{HD}}$, LD, and LOS	V _{OL}	250uA Load	–	–	0.4	V	3
Bi-Directional Pins (Manual Mode)	V _{IH}	High	2.0	–	–	V	3
SS[2:0], AUTO $\overline{\text{MAN}}$ = 0	V _{IL}	Low	–	–	0.8	V	3
Bi-Directional Pins (Auto Mode)	V _{OH}	High, 250uA Load	2.4	–	–	V	1
SS[2:0], AUTO $\overline{\text{MAN}}$ = 1	V _{OL}	Low, 250uA Load	–	–	0.4	V	1
XTAL_OUT+, XTAL_OUT-	V _{OH}	High	–	V _{CC}	–	V	7
	V _{OL}	Low	–	V _{CC} - 0.285	–	V	7
Serial Input Voltage	–	Common Mode	1.65 + (V _{SID} /2)	–	V _{CC} -(V _{SID} /2)	V	1

Table 2-1: DC Electrical Characteristics (Continued) $V_{CC} = 3.3V$, $T_A = 0^\circ C$ to $70^\circ C$, unless otherwise shown

Parameter	Symbol	Conditions	Min	Typ	Max	Units	Test Levels
Output Voltage, DDO/ \overline{DDO}	–	Common Mode	–	$V_{CC} - (V_{OD}/2)$	–	V	1

TEST LEVELS

1. Production test at room temperature and nominal supply voltage with guardbands for supply and temperature ranges.
2. Production test at room temperature and nominal supply voltage with guardbands for supply and temperature ranges using correlated test.
3. Production test at room temperature and nominal supply voltage.
4. QA sample test.
5. Calculated result based on Level 1, 2 or 3.
6. Not tested. Guaranteed by design simulations.
7. Not tested. Based on characterization of nominal parts.
8. Not tested. Based on existing design/characterization data of similar product.
9. Indirect test.

2.3 AC Electrical Characteristics**Table 2-2: AC Electrical Characteristics** $V_{CC} = 3.3V$, $T_A = 0^\circ C$ to $70^\circ C$, unless otherwise shown

Parameter	Symbol	Conditions	Min	Typ	Max	Units	Test Levels
Serial Input Data Rate	–	GS1535B	143	–	1485	Mb/s	3
	–	GS9065B	143	–	540	Mb/s	3
Serial Input Jitter Tolerance	–	Worst case modulation (e.g. square wave modulation) 143, 270, 360, 1485 Mb/s	0.8	–	–	UI	1
PLL Lock Time - Asynchronous	t_{ALOCK}	–	–	–	10	ms	6,7
GS1535B PLL Lock Time - Synchronous	t_{SLOCK}	$C_{LF}=47nF$, $SD/\overline{HD}=0$	–	–	10	us	6,7
	t_{SLOCK}	$C_{LF}=47nF$, $SD/\overline{HD}=1$	–	–	39	us	6,7
GS9065B PLL Lock Time - Synchronous	t_{SLOCK}	$C_{LF}=47nF$	–	–	39	us	6,7
Serial Output Rise/Fall Time (20% - 80%)	t_{rDDO}	50 Ω load (on chip)	–	114	–	ps	6,7
	t_{fDDO}	50 Ω load (on chip)	–	106	–	ps	6,7
Serial Input Swing	V_{SID}	100 Ω load (on chip)	100	–	800	mV _{p-p}	6,7
Serial Output Swing	V_{OD}	100 Ω load differential	1400	1600	2200	mV _{p-p}	6,7

Table 2-2: AC Electrical Characteristics (Continued)V_{CC} = 3.3V, T_A = 0°C to 70°C, unless otherwise shown

Parameter	Symbol	Conditions	Min	Typ	Max	Units	Test Levels
Serial Output Jitter KBB = Float PRN, 2 ²³ -1 Measurement is output jitter that includes input jitter from BERT.	t _{OJ}	143 Mb/s	–	0.02	–	UI	1
	t _{OJ}	177 Mb/s	–	0.02	–	UI	1
	t _{OJ}	270 Mb/s	–	0.02	0.09	UI	1
	t _{OJ}	360 Mb/s	–	0.03	–	UI	1
	t _{OJ}	540 Mb/s	–	0.03	0.09	UI	1
	t _{OJ}	1485 Mb/s (GS1535B only)	–	0.06	0.13	UI	1
	t _{OJ}	Bypass	–	0.06	0.13	UI	1
Loop Bandwidth	BW _{LOOP}	1.485 Gb/s, KBB = FLOAT (GS1535B only)	–	1.75	–	MHz	6,7
	BW _{LOOP}	1.485 Gb/s, KBB = GND, <0.1dB Peaking (GS1535B only)	–	3.2	–	MHz	6,7
	BW _{LOOP}	270 Mb/s, KBB = FLOAT	–	520	–	KHz	6,7
	BW _{LOOP}	270 Mb/s, KBB = GND	–	1000	–	KHz	6,7

TEST LEVELS

1. Production test at room temperature and nominal supply voltage with guardbands for supply and temperature ranges.
2. Production test at room temperature and nominal supply voltage with guardbands for supply and temperature ranges using correlated test.
3. Production test at room temperature and nominal supply voltage.
4. QA sample test.
5. Calculated result based on Level 1, 2 or 3.
6. Not tested. Guaranteed by design simulations.
7. Not tested. Based on characterization of nominal parts.
8. Not tested. Based on existing design/characterization data of similar product.
9. Indirect test.

3. Input/Output Circuits

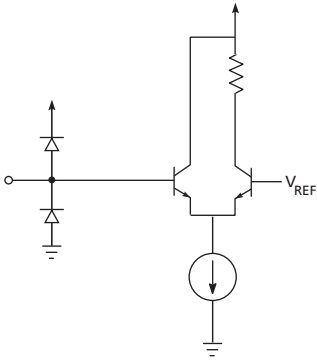


Figure 3-1: $\overline{DDO_MUTĒ}$, BYPASS

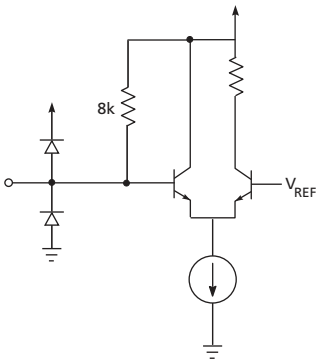


Figure 3-2: $DDI_SEL[1:0]$, AUTOBYPASS, $\overline{AUTO/MAN}$, $\overline{ASI/177}$

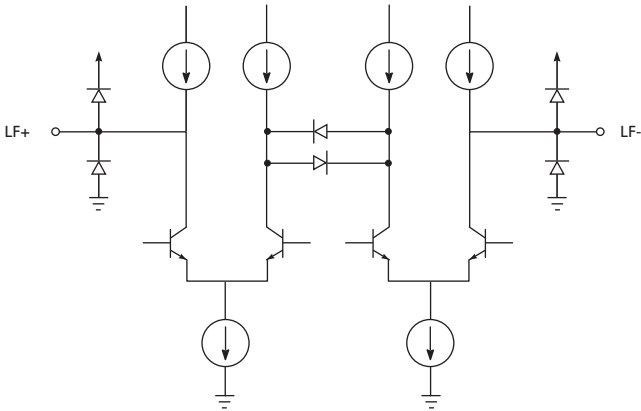


Figure 3-3: Loop Filter

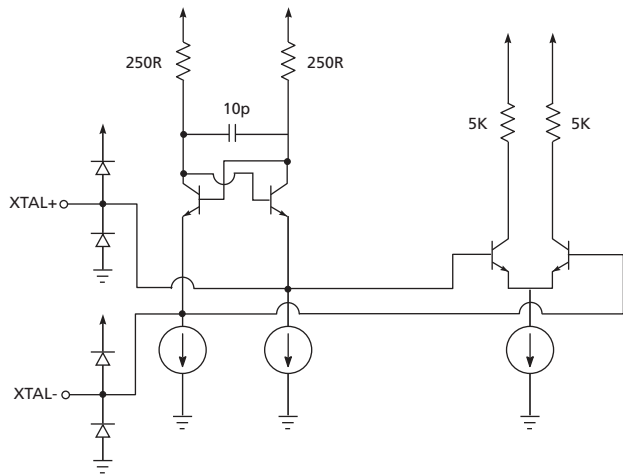


Figure 3-4: Crystal Input

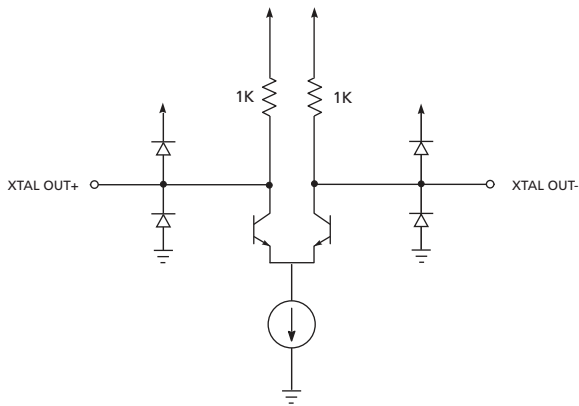


Figure 3-5: Crystal Output Buffer

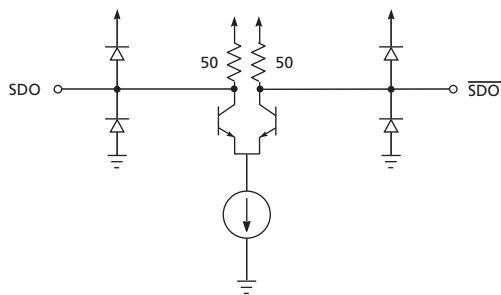


Figure 3-6: Serial Data Outputs

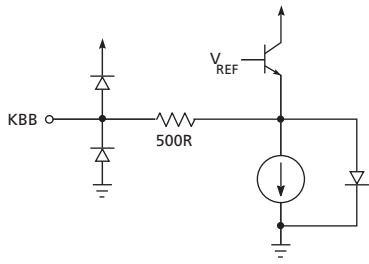


Figure 3-7: KBB

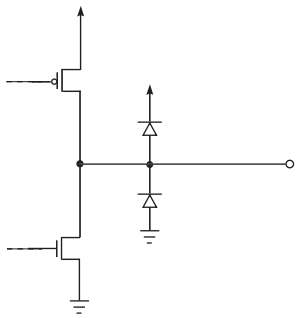


Figure 3-8: Indicator Outputs: $\overline{SD}/\overline{HD}$, LD

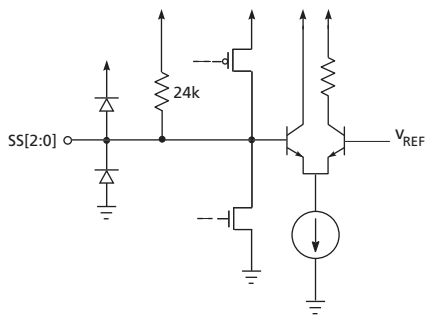


Figure 3-9: Standard Select/Indication Bi-directional Pins

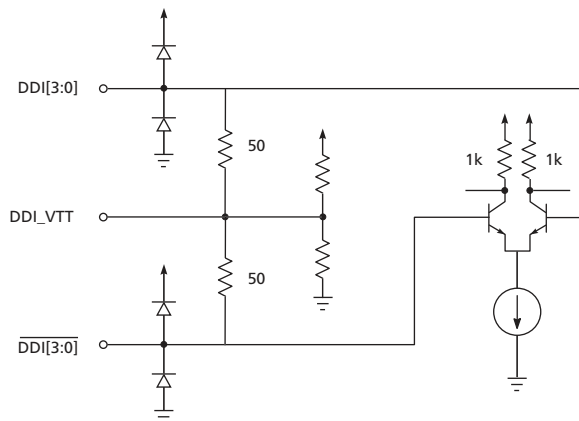


Figure 3-10: Serial Data Inputs

4. Detailed Description

The GS1535B/9065B is a Multi-Rate Serial Digital Reclocker designed to automatically recover the embedded clock from a digital video signal and re-time the incoming video data.

The GS1535B Serial Digital Reclocker will recover the embedded clock signal and re-time the data from a SMPTE 292M, SMPTE 259M or SMPTE 344M compliant digital video signal.

The GS9065B Serial Digital Reclocker will recover the embedded clock signal and re-time the data from a SMPTE 259M or SMPTE 344M compliant digital video signal.

Using the functional block diagram (page 2) as a guide, [Slew Rate Phase Lock Loop \(S-PLL\) on page 16](#) to [Output Mute on page 21](#) describes each aspect of the GS1535B/9065B in detail.

4.1 Slew Rate Phase Lock Loop (S-PLL)

The term “slew” refers to the output phase of the PLL in response to a step change at the input. Linear PLLs have an output phase response characterized by an exponential response whereas an S-PLL’s output is a ramp response (see [Figure 4-1](#)). Because of this non-linear response characteristic, traditional small signal analysis is not possible with an S-PLL.

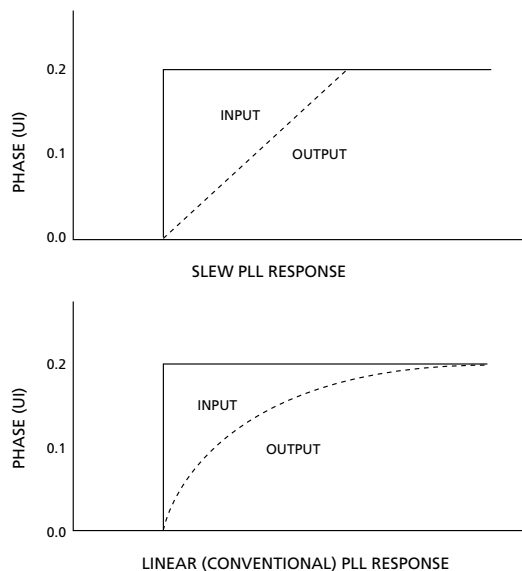


Figure 4-1: PLL Characteristics

The S-PLL offers several advantages over the linear PLL. The Loop Bandwidth of an S-PLL is independent of the transition density of the input data. Pseudo-random data has a transition density of 0.5 versus a pathological signal which has a transition density of 0.05. The loop bandwidth of a linear PLL will change proportionally with this change in transition density. With an S-PLL, the loop bandwidth is defined by the jitter at the data input. This translates to infinite loop bandwidth with a zero jitter input signal. This allows the loop to correct for small variations in the input jitter quickly, resulting in very low output jitter. The loop bandwidth of the GS1535B/9065B's PLL is defined at 0.2UI of input jitter.

The PLL consists of two acquisition loops. First is the Frequency Acquisition (FA) loop. This loop is active when the device is not locked and is used to achieve lock to the supported data rates. Second is the phase acquisition (PA) loop. Once locked, the PA loop tracks the incoming data and makes phased corrections to produce a re-clocked output.

4.2 VCO

The internal VCO of the GS1535B/9065B is a ring oscillator. It is trimmed at the time of manufacture to capture all data rates over temperature and operation voltage ranges.

Integrated into the VCO is a series of programmable dividers used to achieve all serial data rates, as well as additional dividers for the frequency acquisition loop.

4.3 Charge Pump

A common charge pump is used for the PLL of the GS1535B/9065B.

During frequency acquisition, the charge pump has two states, "pump-up" and "pump-down," which is produced by a leading or lagging phase difference between the input and the VCO frequency.

During phase acquisition, there are two levels of "pump-up" and two levels of "pump down" produced for leading and lagging phase difference between the input and VCO frequency. This is to allow for greater precision of VCO control.

The charge pump produces these signals by holding the integrated frequency information on the external loop-filter capacitor, C_{LF} . The instantaneous frequency information is the result of the current flowing through an internal resistor connected to the loop-filter capacitor.

4.4 Frequency Acquisition Loop — The Phase-Frequency Detector

An external crystal of 14.140 MHz is used as a reference to keep the VCO centered at the last known data rate. This allows the device to achieve a fast synchronous lock, especially in cases where a known data rate is interrupted. The crystal reference is also used to clock internal timers and counters. To keep the optimal performance of the reclocker over all operating conditions, the crystal frequency must be 14.140 MHz, +/-50ppm. The GO1535 meets this specification and is available from GENNUM.

The VCO is divided by a selected ratio which is dependant on the input data rate. The resultant is then compared to the crystal frequency. If the divided VCO frequency and the crystal frequency are within 1% of each other, the PLL is considered to be locked to the input data rate.

4.5 Phase Acquisition Loop — The Phase Detector

The phase detector is a digital quadrature phase detector. It indicates whether the input data is leading or lagging with respect to a clock that is in phase with the VCO (I-clk) and a quadrature clock (Q-clk). When the phase acquisition loop (PA loop) is locked, the input data transition is aligned to the falling edge of I-clk and the output data is re-timed on the rising edge of I-clk. During high input jitter conditions ($>0.25\text{UI}$), Q-clk will sample a different value than I-clk. In this condition, two extra phase correction signals will be generated which instructs the charge pump to create larger frequency corrections for the VCO.

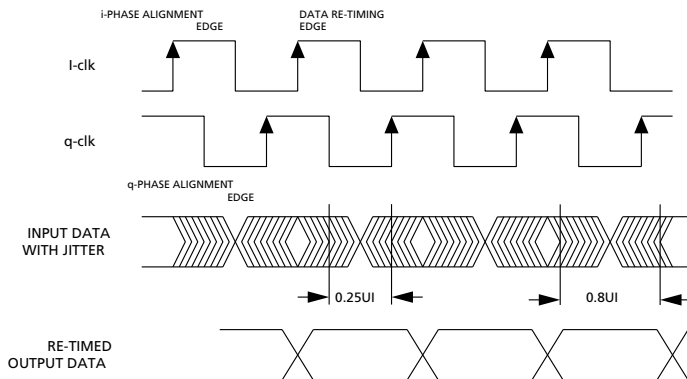


Figure 4-2: Phase Detector Characteristics

When the PA loop is active, the crystal frequency and the incoming data rate are compared. If the resultant is more than 2%, the PLL is considered to be unlocked and the system jumps to the FA loop.

4.6 4:1 Input Mux

The 4:1 input mux allows the connection of four independent streams of video/data. There are four differential inputs (DDI[3:0] and $\overline{\text{DDI}}[3:0]$). The active channel can be selected via the DDI_SEL[1:0] pins. Table 4-1 shows the input selected for a given state at DDI_SEL[1:0].

Table 4-1: Bit Pattern for Input Select

DDI_SEL[1:0]	Selected Input
00	DDI0
01	DDI1
10	DDI2
11	DDI3

The DDI inputs are designed to be DC interfaced with the output of the GS1524A/9064A Cable Equalizer. There are on chip 50Ω termination resistors which come to a common point at the DDI_VT pins. Connect a 10nF capacitor to this pin and connect the other end of the capacitor to ground. This terminates the transmission line at the inputs for optimum performance.

If only one input pair is used, connect the unused positive inputs to +3.3V and leave the unused negative inputs floating. This helps to eliminate crosstalk from potential noise that would couple to the unused input pair.

4.7 Automatic and Manual Data Rate Selection

The GS1535B/9065B can be configured to manually lock to a specific data rate or automatically search for and lock to the incoming data rate. The AUTO/ $\overline{\text{MAN}}$ pin selects automatic data rate detection mode (Auto mode) when HIGH and manual data rate selection mode (Manual mode) when LOW.

In Auto mode, the SS[2:0] bi-directional pins become outputs and the bit pattern indicates the data rate that the PLL is locked to (or previously locked to). The “search algorithm” cycles through the data rates and starts over if that data rate is not found (see Figure 4-3).



Figure 4-3: Data Rate Search Pattern

In Manual mode, the SS[2:0] pins become inputs and the data rate can be programmed by the application layer. In this mode, the search algorithm is disabled and the PLL will only lock to the data rate selected.

Table 4-2 shows the SS[2:0] pin settings for either the data rate selected (in Manual mode) or the data rate that the PLL has locked to (in Auto mode).

Table 4-2: Data Rate Indication/Selection Bit Pattern

SS[2:0]	Data Rate (Mb/s)
000	143
001	177
010	270
011	360
100	540
101*	1485/1483.5

* This setting only applies to the GS1535B. For the GS9065B, when AUTO/ $\overline{\text{MAN}}$ is LOW, the pin settings SS[0:2] = 101 will be ignored by the device.

4.8 Bypass Mode

In Bypass mode, the GS1535B/9065B passes the data at the inputs directly to the outputs. There are two pins that control the bypass function: BYPASS and AUTOBYPASS.

When BYPASS is set HIGH by the application layer, the GS1535B/9065B will be in Bypass mode.

When AUTOBYPASS is set HIGH by the application layer, the GS1535B/9065B will be configured to enter Bypass mode only when the PLL has not locked to a data rate. When BYPASS is set HIGH, AUTOBYPASS will be ignored.

When the PLL is not locked, and both BYPASS and AUTOBYPASS are set LOW, the serial digital output DDO/ $\overline{\text{DDO}}$ will produce invalid data.

4.9 DVB-ASI Operation

The GS1535B/9065B will also re-clock DVB-ASI at 270 Mb/s. When relocking DVB-ASI data set the ASI/ $\overline{177}$ pin HIGH to prevent a false lock to 177Mb/s. If ASI/ $\overline{177}$ is not set HIGH, a false lock may occur since there is a harmonic present in idle patterns (K28.5) which is very close the 177 Mb/s data rate (EIC 1179). Note that setting the ASI/ $\overline{177}$ pin HIGH will disable the 177 Mb/s search when the device is in Auto mode, consequently the GS1535B/9065B will not lock to that data rate.

4.10 Lock Indicator

The LOCK DETECT signal, LD, is an active high output which indicates when the PLL is locked.

The internal lock logic of the GS1535B/9065B includes a system which monitors the Frequency Acquisition Loop and the Phase Acquisition Loop as well as a monitor to detect harmonic lock.

4.11 Output Drivers

The device's serial digital data outputs (DDO/ $\overline{\text{DDO}}$) have a nominal voltage of 800mV single ended or 1600mV differential when terminated into a 50 Ω load.

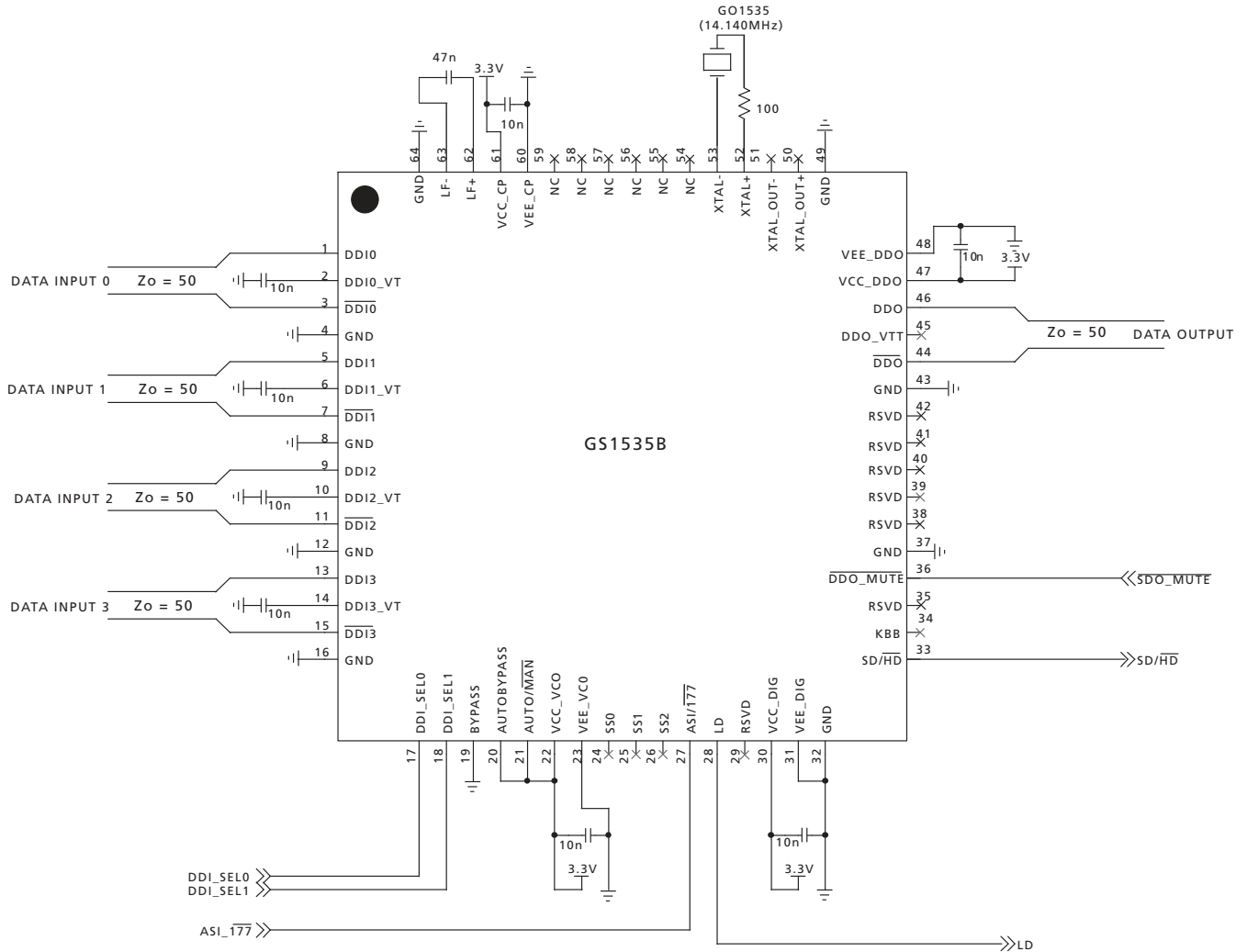
4.12 Output Mute

The $\overline{\text{DDO_MUTE}}$ pin is provided to allow muting of the re-timed output.

When the PLL is locked and the device is reclocking, setting $\overline{\text{DDO_MUTE}} = \text{LOW}$ will force the serial digital outputs DDO/ $\overline{\text{DDO}}$ to mute. However, if the GS1535B/9065B is in Bypass mode, (AUTOBYPASS = HIGH and/or BYPASS = HIGH), $\overline{\text{DDO_MUTE}}$ will have no effect on the output.

5. Typical Application Circuits

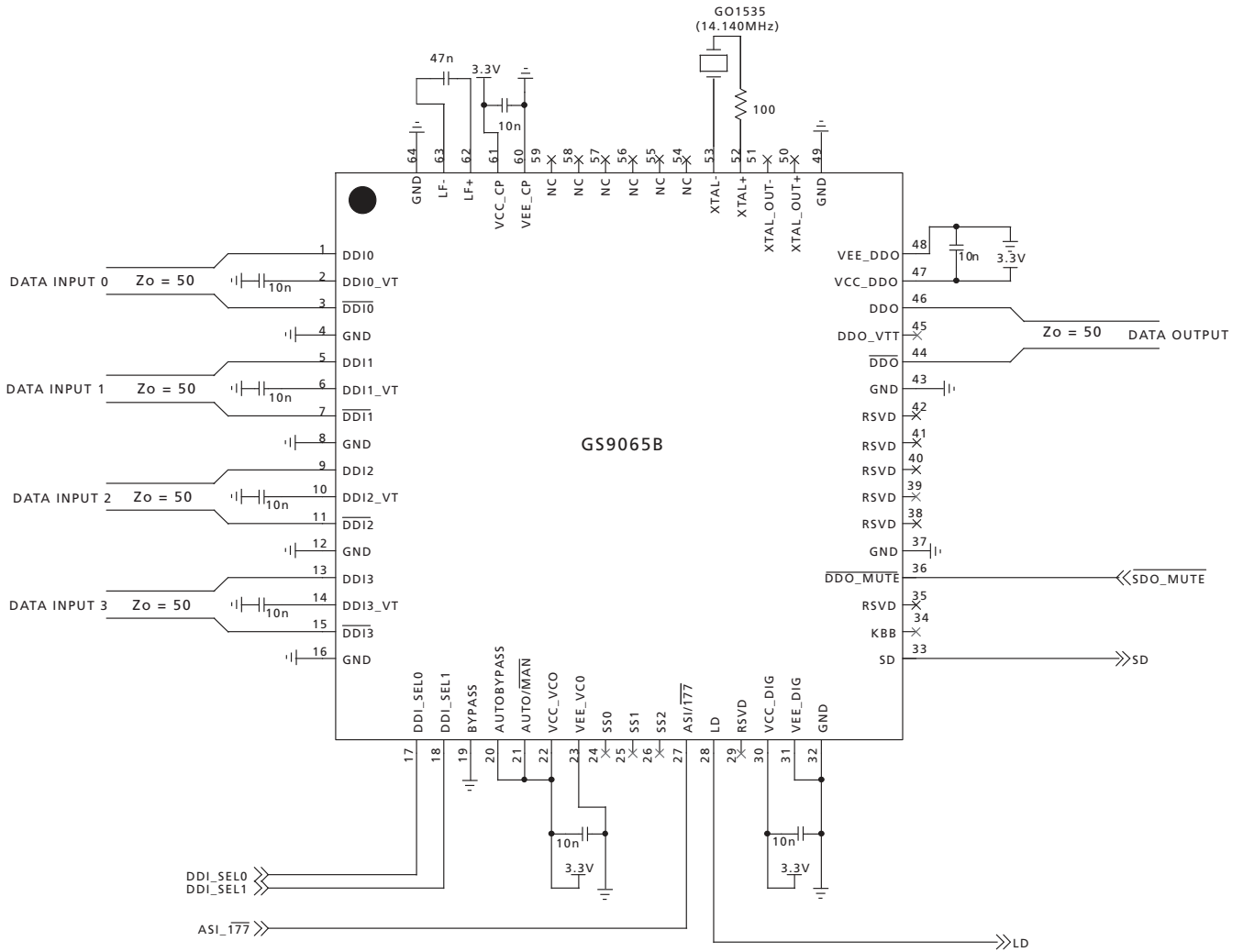
Note: Pins 45, 54, 55, and 57 are not connected internally. Any previous circuitry from the original GS1535 may remain connected in order to maintain footprint compatibility.



Note: All resistors in ohms and all capacitors in Farads.

Figure 5-1: GS1535B Typical Application Circuit

Note: Pins 45, 54, 55, and 57 are not connected internally. Any previous circuitry from the original GS9065 may remain connected in order to maintain footprint compatibility.



Note: All resistors in ohms and all capacitors in Farads.

Figure 5-2: GS9065B Typical Application Circuit

6. Package & Ordering Information

6.1 Package Dimensions

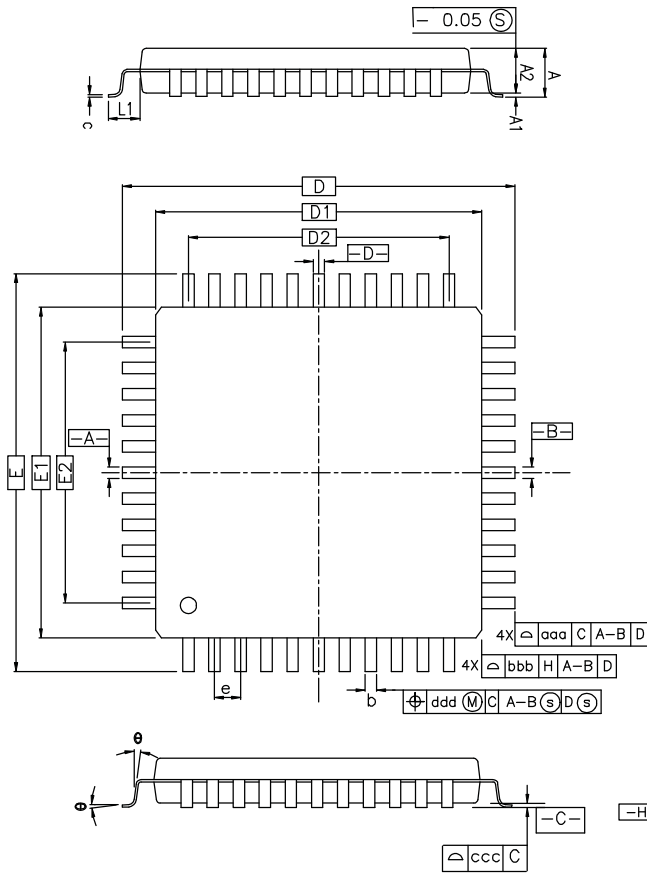


Table X

SYMBOL	MILLIMETER			INCH		
	MIN.	NOM.	MAX.	MIN.	NOM.	MAX.
A	—	—	1.60	—	—	0.063
A1	0.05	—	0.15	0.002	—	0.006
A2	1.35	1.40	1.45	0.053	0.055	0.057
D	12.00 BSC.			0.472 BSC.		
D1	10.00 BSC.			0.393 BSC.		
E	12.00 BSC.			0.472 BSC.		
E1	10.00 BSC.			0.393 BSC.		
R2	0.08	—	0.20	0.003	—	0.008
R1	0.08	—	—	0.003	—	—
θ	0°	3.5°	7°	0°	3.5°	7°
θ ₁	0°	—	—	0°	—	—
θ ₂	11°	12°	13°	11°	12°	13°
θ ₃	11°	12°	13°	11°	12°	13°
c	0.09	—	0.20	0.004	—	0.008
L	0.45	0.60	0.75	0.018	0.024	0.030
L ₁	1.00 REF			0.039 REF		
S	0.20	—	—	0.008	—	—

CONTROL DIMENSIONS ARE IN MILLIMETERS.

NOTE:
Diagram shown is representative only.
Table X is fixed for all pin sizes, and
Table Y is specific to the 64-pin package.

Table Y

SYMBOL	64L					
	MILLIMETER			INCH		
	MIN	NOM	MAX	MIN	NOM	MAX
b	0.17	0.20	0.27	0.007	0.008	0.011
e	0.50 BSC			0.020 BSC		
D2	7.50			0.295		
E2	7.50			0.295		
TOLERANCES OF FORM AND POSITION						
aaa	0.20			0.008		
bbb	0.20			0.008		
ccc	0.08			0.003		

6.2 Packaging Data

Parameter	Value
Package Type	10mm x 10mm 64-pin LQFP
Package Drawing Reference	ASE 64-06-280-1384
Moisture Saturation Level	3
Junction to Case Thermal Resistance, θ_{j-c}	18.1°C/W
Junction to Air Thermal Resistance, θ_{j-a} (at zero airflow)	47.8°C/W
Psi	1.1°C/W
Pb-free and RoHS Compliant	Yes

6.3 Solder Reflow Profiles

The device is manufactured with Matte-Sn terminations and is compatible with both standard eutectic and Pb-free solder reflow profiles. MSL qualification was performed using the maximum Pb-free reflow profile shown in Figure 6-1. The recommended standard Pb reflow profile is shown in Figure 6-2.

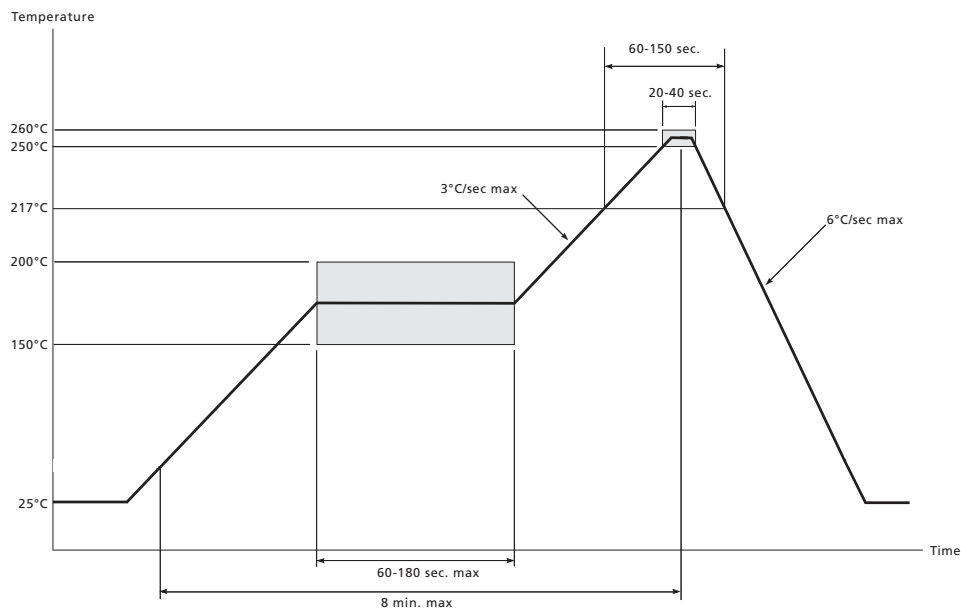


Figure 6-1: Maximum Pb-free Solder Reflow Profile (Preferred)

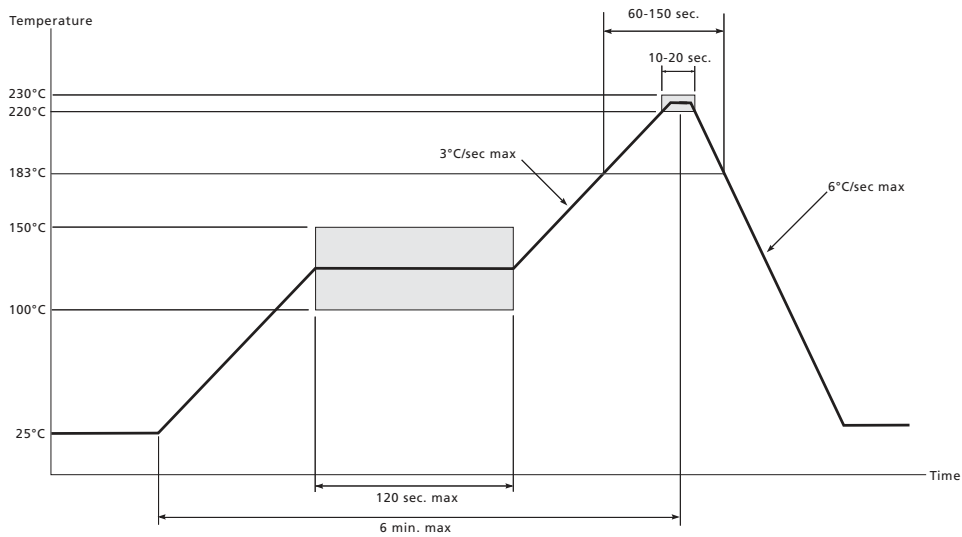


Figure 6-2: Standard Pb Solder Reflow Profile

6.4 Ordering Information

	Part Number	Package	Temperature Range
GS1535B	GS1535BCFUE3	Pb-free 64-pin LQFP	0°C to 70°C
GS9065B	GS9065BCFUE3	Pb-free 64-pin LQFP	0°C to 70°C

**DOCUMENT IDENTIFICATION
DATA SHEET**

The product is in production. Genum reserves the right to make changes to the product at any time without notice to improve reliability, function or design, in order to provide the best product possible.

CAUTION

ELECTROSTATIC SENSITIVE DEVICES
DO NOT OPEN PACKAGES OR HANDLE EXCEPT AT A
STATIC-FREE WORKSTATION



GENNUM CORPORATE HEADQUARTERS

4281 Harvester Road, Burlington, Ontario L7L 5M4 Canada

Phone: +1 (905) 632-2996

E-mail: corporate@gennum.com

Fax: +1 (905) 632-2055

www.gennum.com

OTTAWA

232 Herzberg Road, Suite 101
Kanata, Ontario K2K 2A1
Canada

Phone: +1 (613) 270-0458

Fax: +1 (613) 270-0429

CALGARY

3553 - 31st St. N.W., Suite 210
Calgary, Alberta T2L 2K7
Canada

Phone: +1 (403) 284-2672

UNITED KINGDOM

North Building, Walden Court
Parsonage Lane,
Bishop's Stortford Hertfordshire, CM23 5DB
United Kingdom

Phone: +44 1279 714170

Fax: +44 1279 714171

INDIA

#208(A), Nirmala Plaza,
Airport Road, Forest Park Square
Bhubaneswar 751009
India

Phone: +91 (674) 653-4815

Fax: +91 (674) 259-5733

SNOWBUSH IP - A DIVISION OF GENNUM

439 University Ave. Suite 1700
Toronto, Ontario M5G 1Y8
Canada

Phone: +1 (416) 925-5643

Fax: +1 (416) 925-0581

E-mail: sales@snowbush.com

Web Site: <http://www.snowbush.com>

MEXICO

288-A Paseo de Maravillas
Jesus Ma., Aguascalientes
Mexico 20900

Phone: +1 (416) 848-0328

JAPAN KK

Shinjuku Green Tower Building 27F
6-14-1, Nishi Shinjuku
Shinjuku-ku, Tokyo, 160-0023
Japan

Phone: +81 (03) 3349-5501

Fax: +81 (03) 3349-5505

E-mail: gennum-japan@gennum.com

Web Site: <http://www.gennum.co.jp>

TAIWAN

6F-4, No.51, Sec.2, Keelung Rd.
Sinyi District, Taipei City 11502
Taiwan R.O.C.

Phone: (886) 2-8732-8879

Fax: (886) 2-8732-8870

E-mail: gennum-taiwan@gennum.com

GERMANY

Hainbuchenstraße 2
80935 Muenchen (Munich), Germany

Phone: +49-89-35831696

Fax: +49-89-35804653

E-mail: gennum-germany@gennum.com

NORTH AMERICA WESTERN REGION

Bayshore Plaza
2107 N 1st Street, Suite #300
San Jose, CA 95131
United States

Phone: +1 (408) 392-9454

Fax: +1 (408) 392-9427

E-mail: naw_sales@gennum.com

NORTH AMERICA EASTERN REGION

4281 Harvester Road
Burlington, Ontario L7L 5M4
Canada

Phone: +1 (905) 632-2996

Fax: +1 (905) 632-2055

E-mail: nae_sales@gennum.com

KOREA

8F Jinnex Lakeview Bldg.
65-2, Bangidong, Songpagu
Seoul, Korea 138-828

Phone: +82-2-414-2991

Fax: +82-2-414-2998

E-mail: gennum-korea@gennum.com

Genum Corporation assumes no liability for any errors or omissions in this document, or for the use of the circuits or devices described herein. The sale of the circuit or device described herein does not imply any patent license, and Genum makes no representation that the circuit or device is free from patent infringement.

All other trademarks mentioned are the properties of their respective owners.

GENNUM and the Genum logo are registered trademarks of Genum Corporation.

© Copyright 2006 Genum Corporation. All rights reserved.

www.gennum.com