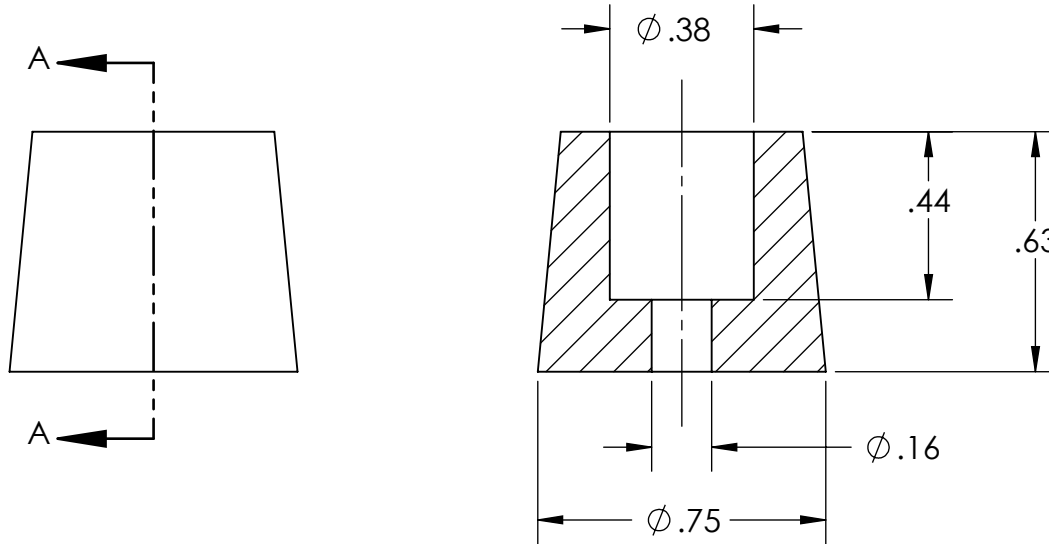
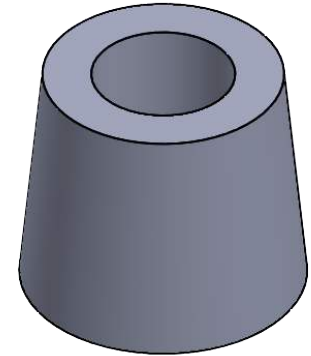


NOTES:

1. AVAILABLE IN NYLON AND LDPE MATERIAL



SECTION A-A

UNCONTROLLED

TITLE: HEAVY DUTY, SCREW-ON BUMPER FEET					DWG IN IN [MM]	REV A
CREATED USING SOLIDWORKS	FILE #: BTR020	DWN: MGT	APP:	FINAL		
TOLERANCES UNLESS OTHERWISE NOTED: ±.02 [0.5] FOR .XX [X.X] DIMENSIONS ±.010 [0.25] FOR .XXX [X.XX] DIMENSIONS ±.005 [0.13] FOR .XXXX [X.XXX] DIMENSIONS ± 3.0° FOR ANGULAR DIMENSIONS ± 1/32 [0.8] FOR FRACTIONAL DIMENSIONS	SHT: 1 OF 1	SHT SIZE: A	DT: 12/30/2020	CHKD:	PART #	
MATERIAL:	SEE NOTES		ESSENTRA COMPONENTS	BTR020		

A	REDRAW IN SOLIDWORKS, RELEASE	MGT 12/30/20
REV.	DESCRIPTION	ENGR. DATE