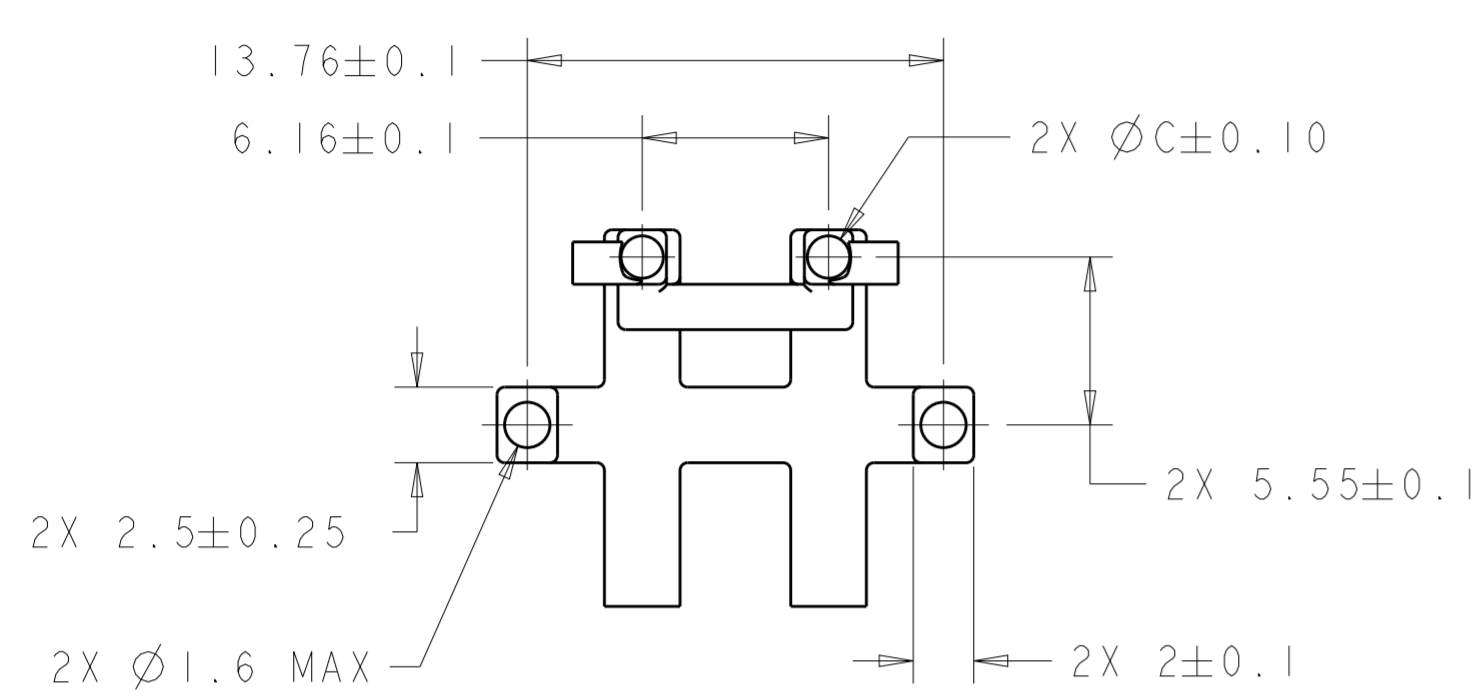
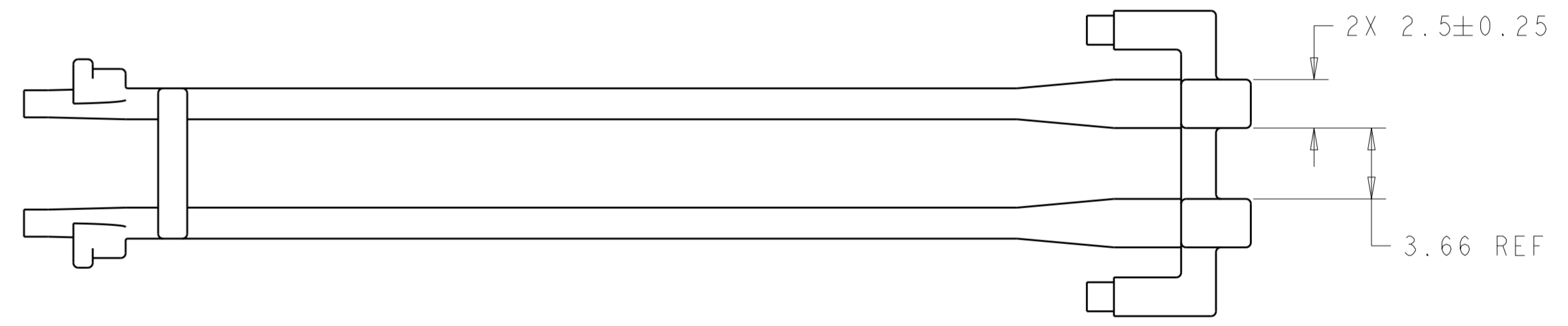


THIS DRAWING IS UNPUBLISHED. RELEASED FOR PUBLICATION 2007  
 © COPYRIGHT 2007 BY - ALL RIGHTS RESERVED.

LOC	DIST	REVISIONS					
GP	00	P	LTR	DESCRIPTION	DATE	DWN	APVD
		A		RELEASED PER ECO-09-008578	21APR2009	CJV	JRP
		B		RELEASED PER ECO-13-009942	14JUN2013	RG	AC
		C		RELEASED PER ECO-13-020244	31DEC2013	ZJ	JY
		D		RELEASER PER ECO-15-000289	8JAN2015	RG	MC



⚠ MATERIAL: POLYCARBONATE, CLEAR



2.0	6.00	55.1	1-2007477-2
2.0	6.00	57.0	1-2007477-0
1.4	6.00	55.5	2007477-7
1.4	6.00	56.3	2007477-3
1.4	5.55	55.5	2007477-2
1.4	5.55	59.2	2007477-1
C	B	A	PART NUMBER

THIS DRAWING IS A CONTROLLED DOCUMENT.

DWN	C. VALENTINE	26NOV2007
CHK	E. BRIGHT	26NOV2007
APVD	F. BRIGHT	26NOV2007
PRODUCT SPEC	-	
APPLICATION SPEC	-	
WEIGHT	-	
Customer Drawing		

DIMENSIONS: mm  
 TOLERANCES UNLESS OTHERWISE SPECIFIED:  
 0 PLC ±  
 1 PLC ±0.5  
 2 PLC ±0.20  
 3 PLC ±  
 4 PLC ±  
 ANGLES ±  
 FINISH -

MATERIAL: ⚠  
 SCALE: 4:1  
 SHEET 1 OF 1  
 REV D

**STE** TE Connectivity  
 NAME: LIGHT PIPE, DOUBLE, BEHIND BEZEL, GANGED QSFP  
 SIZE: A200779  
 CAGE CODE: C-2007477  
 DRAWING NO: C-2007477  
 RESTRICTED TO: -