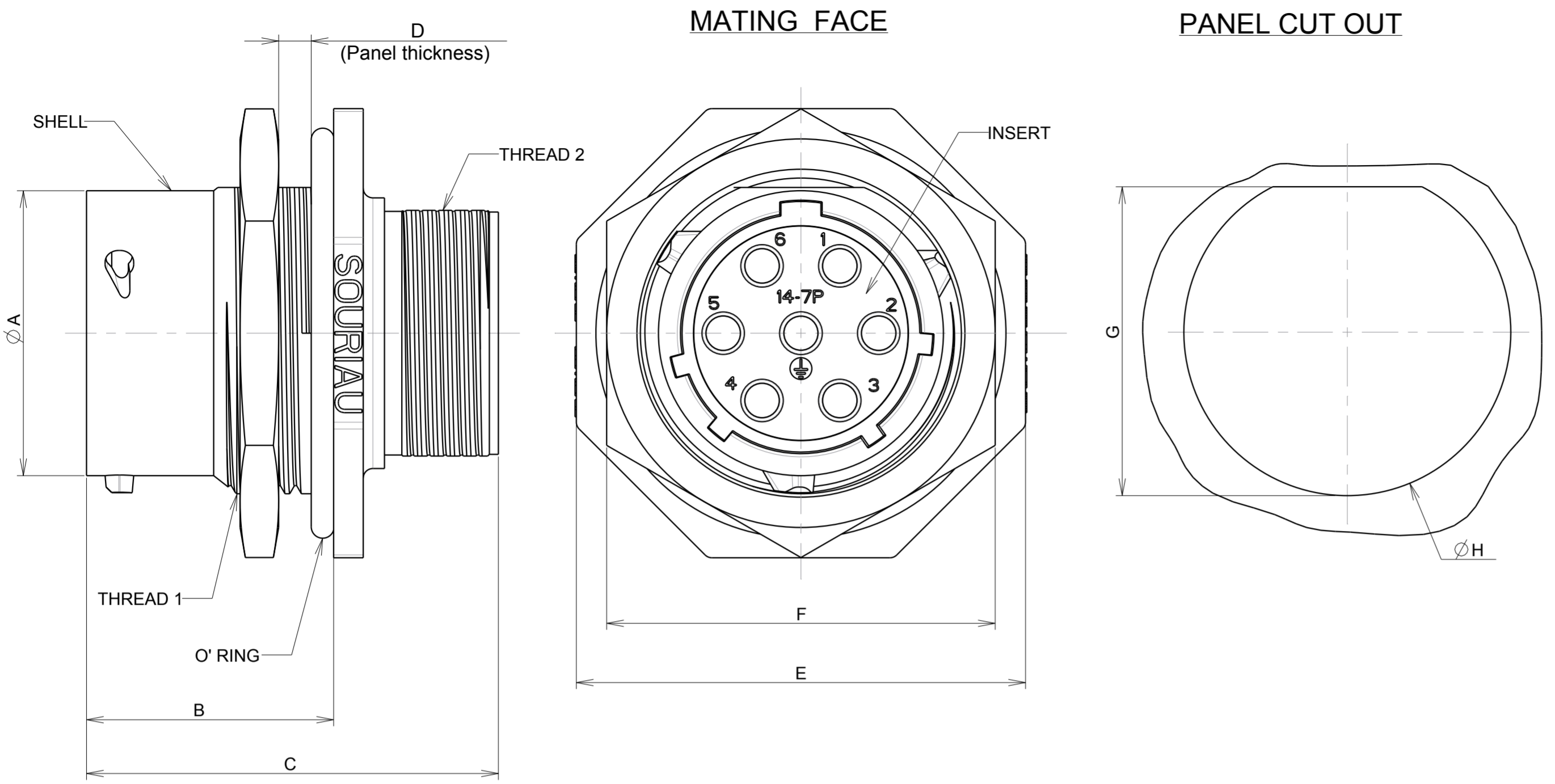


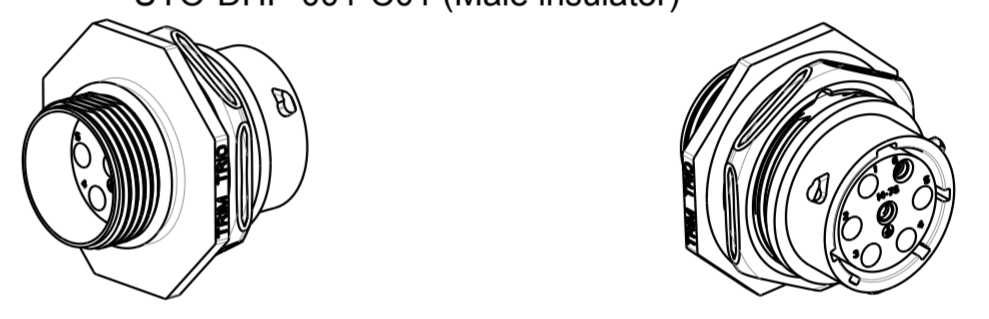
C.2: Validé



**MATERIAL :**  
 Shell : Polyamid UL94 V-0  
 Insert : Polyamid UL94 V-0  
 Seal gasket : Sealing IP68/69K : Silicone  
 O'ring : nitril  
 Nut : Aluminium alloy black anodized

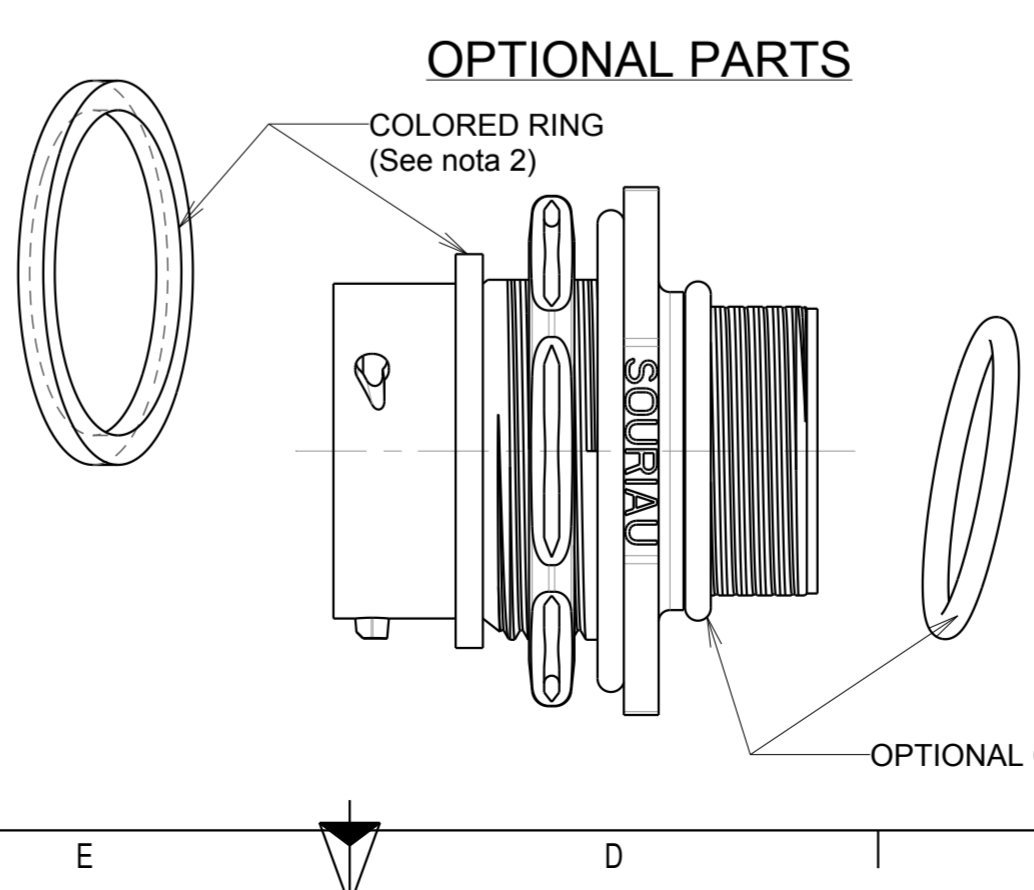
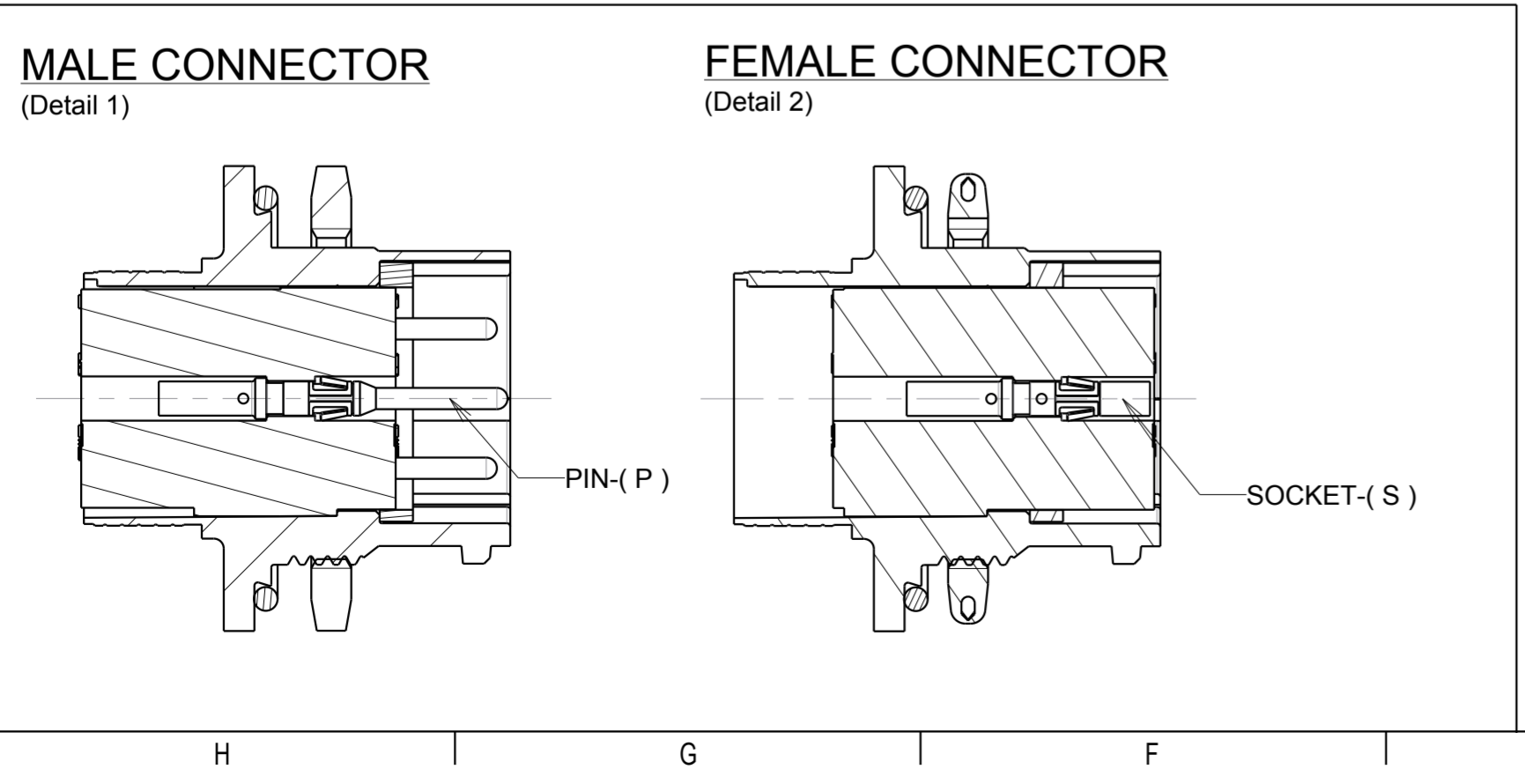
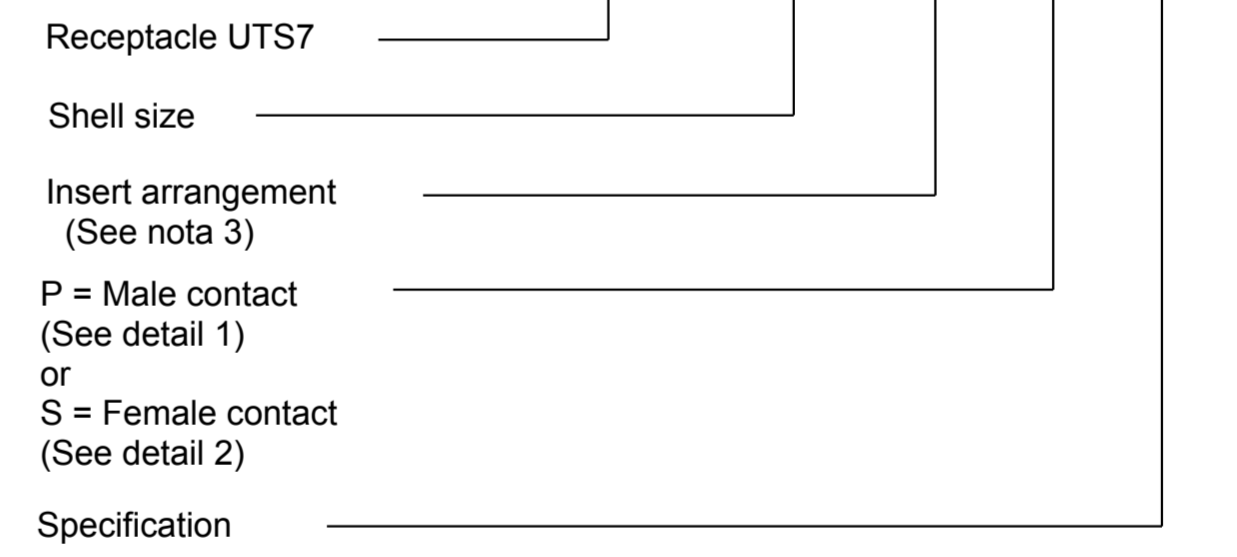
**PERFORMANCE CHARACTERISTICS :**  
 Operating temperature : -40° C up to 105° C  
 Insulation resistance : 5000 MΩ min  
 Test potential : 2000 Vrms for #16 layout and 1500Vrms for #20 layout  
 Corrosion salt spray : 500 hours  
 Durability : 250 matings and unmatings  
 Sealing in mated conditions:  
 -IP68 1 bar during 1 week : immersion under 10 m of water. (IEC 60529)  
 -IP69K : exposure to high pressure water of cleaning equipment (DIN 40050)

**NOTES :**  
 -1-Contact to be ordered separately :refer to TRIM TRIO catalog  
 -2-Colored ring to be ordered separately refer to customer drawing C005-UTS1-A  
 -3-Insert arrangements:refer to :  
 UTO-CONTACT-L-C02 (Female insulator)  
 UTO-DHP-002-C01 (Female insulator)  
 UTO-CONTACT-L-C01 (Male insulator)  
 UTO-DHP-001-C01 (Male insulator)



SHELL SIZE	THREAD 1	THREAD 2	ØA±0.15	B±0.2	C MAX.	D MAX.	E±0.25	F±0.3	G	ØH
10	11/16 24 UNEF CLASS 2A	9/16 24 UNEF CLASS 2A	14.90	19.30	33.90	3.20	27.00	22.20	16.45 <sup>+0.2</sup> <sub>0</sub>	17.30 <sup>+0.25</sup> <sub>0</sub>
12	7/8 20 UNEF CLASS 2A	11/16 24 UNEF CLASS 2A	19.00	19.30	33.90	3.20	31.80	27.00	20.85 <sup>+0.3</sup> <sub>0</sub>	22.10 <sup>+0.3</sup> <sub>0</sub>
14	1"20 UNEF CLASS 2A	13/16 20 UNEF CLASS 2A	22.20	19.30	33.90	3.20	34.90	30.20	24.00 <sup>+0.3</sup> <sub>0</sub>	25.40 <sup>+0.3</sup> <sub>0</sub>
18	1"1/4 18 UNEF CLASS 2A	1"1/16 18 UNEF CLASS 2A	28.5	19.30	33.90	3.20	41.30	36.60	30.20 <sup>+0.3</sup> <sub>0</sub>	31.70 <sup>+0.3</sup> <sub>0</sub>

**UTS7 14 7 P XX**



Country	Jurisdiction & Control List
FR	NOT LISTED

**P/N : UTS7xxxxP/Sxx**

<b>C</b>	08/03/2016	Delete drawing C008-UTS1-A/C007-UTS1-A/UT0W-CONTACT-L-C01 and ...C02- Change dimensions of panel cut out	—
ISS	DATE	Latest modification - by:	MOD N°
Designed by:	SORIN.V	Date:   05/04/06	<b>CUSTOMER DRAWING</b>
<b>TITLE</b>	JAM NUT RECEPTACLE UTS CONNECTOR		
Scale	1/1	General linear Tolerances: ± --	<b>NPRDS / PROJECT</b> UTS1
<b>SOURIAU</b>	<b>WWW.SOURIAU.COM</b>	This document is the property of SOURIAU It must not be reproduced or communicated without permission	
FORMAT	<b>SOURIAU DRG N°</b> C001-UTS1-A		SHEET 1/1