



20 Watt Interchangeable Plug Series



Interchangeable Clips Sold Separately



Features

- Efficiency Level VI Compliant
- Class B EMI
- Ecodesign ErP Directive 2009/125/EC Level 2 annex 1b Compliant
- No-load Power Saving
- High Efficiency
- Compact Size
- Class II Double Insulated

Applications

- Peripherals
- Gaming Machines
- Point of Sale Equipment
- Network Equipment

Safety Approvals

- UL/cUL 60950-1
- CE
- CB
- SAA+C-TICK+MEPS

Mechanical Characteristics

- Length: 71.7mm (2.82in)
- Width: 50mm (1.97in)
- Height: 33.25mm (1.31in)
- Weight: 120g (4.23oz)

Output Specifications

Model	DC Output Voltage	Load		Regulation		Ripple ¹ P-P(max)	Output Power
		Min.	Max.	Line	Load		
PSAA20R-120L6-R	12V	0A	1.67A	±5%		120mV	20W
PSAA20R-240L6-R	24V	0A	0.83A	±5%		240mV	20W
PSAA20R-480L6-R	48V	0A	0.42A	±5%		480mV	20W

Notes:1- Measured by using a 12 inch twisted pair terminated with 10uF capacitor and a 0.1uF ceramic in parallel after 10 minutes warm up with maximum load

Phihong is not responsible for any error, and reserves the right to make changes without notice. Please visit our website at www.phihong.com for the most up-to-date specifications and contact information.

Input:**AC Input Voltage Rating**

100 to 240V AC

AC Input Voltage Range

90V AC to 264V AC

AC Input Frequency

47 to 63Hz

Input Current

0.5A (RMS) Max. @120VAC

0.25A (RMS) Max. @240VAC

Leakage Current

0.25mA maximum at 264V AC/60Hz

Inrush Current

40A Max. @120VAC

80A Max. @240VAC

(Cold start at ambient 25°C)

Input Power Saving

≤0.075W Max. @230VAC, 50Hz

Output**Efficiency**

DOE Level VI

Hold-up Time

10ms Min. @ full load 115VAC/ 60Hz

Over-Current Protection

Short circuit. Auto Restart.

Short-Circuit Protection

Output can be shorted permanently without damage

Over-Voltage Protection

<23Vpk

Environmental:**Temperature**

Operation 0 to +40°C

Non-operation -20 to +75°C

Humidity 20 to 90%

Emissions

Complies with FCC Class B

Complies with EN55032 Class B

Immunity

EN61000-4-2 Level 4

EN61000-4-3 Level 2

EN61000-4-4 Level 2

EN61000-4-5 Level 2

EN61000-4-6 Level 2

EN61000-4-8 Level 1

EN61000-4-11

Dielectric Withstand (Hi-pot) Test

Pri to Sec: 3000 Vac or 4242 Vdc , 10 mA

1minute. 3600 Vac or 5090 Vdc , 10 mA

3Second.

DC Output Connector

12V & 24V: 5.5mm x 2.1mm x 9.5mm

48V: 5.5mm x 2.1mm x 10mm

DC Cord Length

1500mm

AC Input clips (sold separately):

RPA – US

RPB – Brazil

RPC – China

RPE – Europe

RPH – Korea

RPI – India

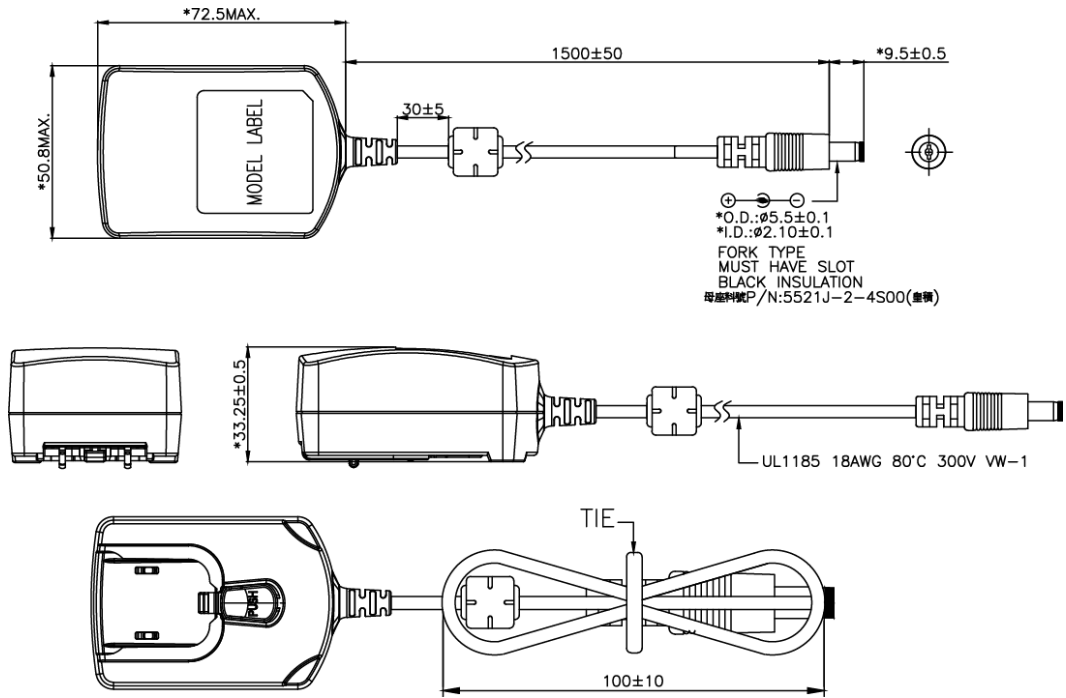
RPK – UK

RPN – Argentina

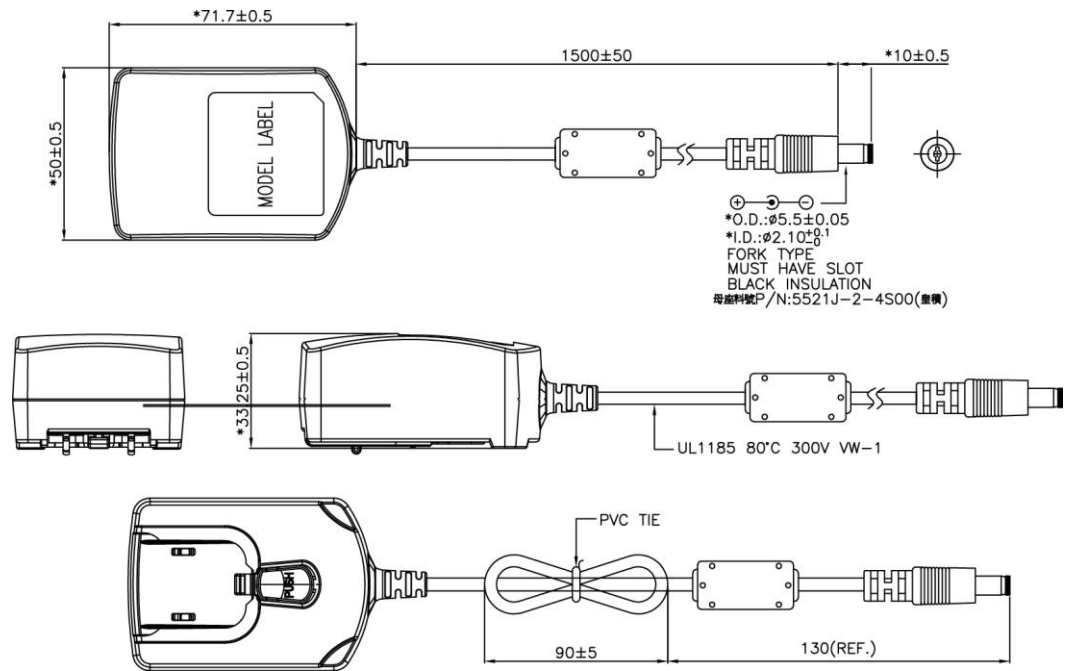
RPS – Australia

RPX – IEC320 C8

PSAA20R-120L6-R & PSAA20R-240L6-R Dimension Diagram Unit: mm



PSAA20R-480L6-R Dimension Diagram Unit: mm



Supplier's Declaration of Conformity
47 CFR § 2.1077 Compliance Information

Phihong USA Corporation
47800 Fremont Boulevard
Fremont, CA 94538
Telephone: (510) 445-0100
www.phihong.com

NOTE: This model has/The models in this products series have been tested and found to comply with the limits for a Class B digital device, pursuant to part 15 of the FCC Rules. These limits are designed to provide reasonable protection against harmful interference in a residential installation. This equipment generates, uses and can radiate radio frequency energy and, if not installed and used in accordance with the instructions, may cause harmful interference to radio communications. However, there is no guarantee that interference will not occur in a particular installation. If this equipment does cause harmful interference to radio or television reception, which can be determined by turning the equipment off and on, the user is encouraged to try to correct the interference by one or more of the following measures:

- Reorient or relocate the receiving antenna.
- Increase the separation between the equipment and receiver.
- Connect the equipment into an outlet on a circuit different from that to which the receiver is connected.
- Consult the dealer or an experienced radio/TV technician for help.

Changes or modifications to equipment not expressly approved by PHIHONG could void the user's authority to operate the equipment.