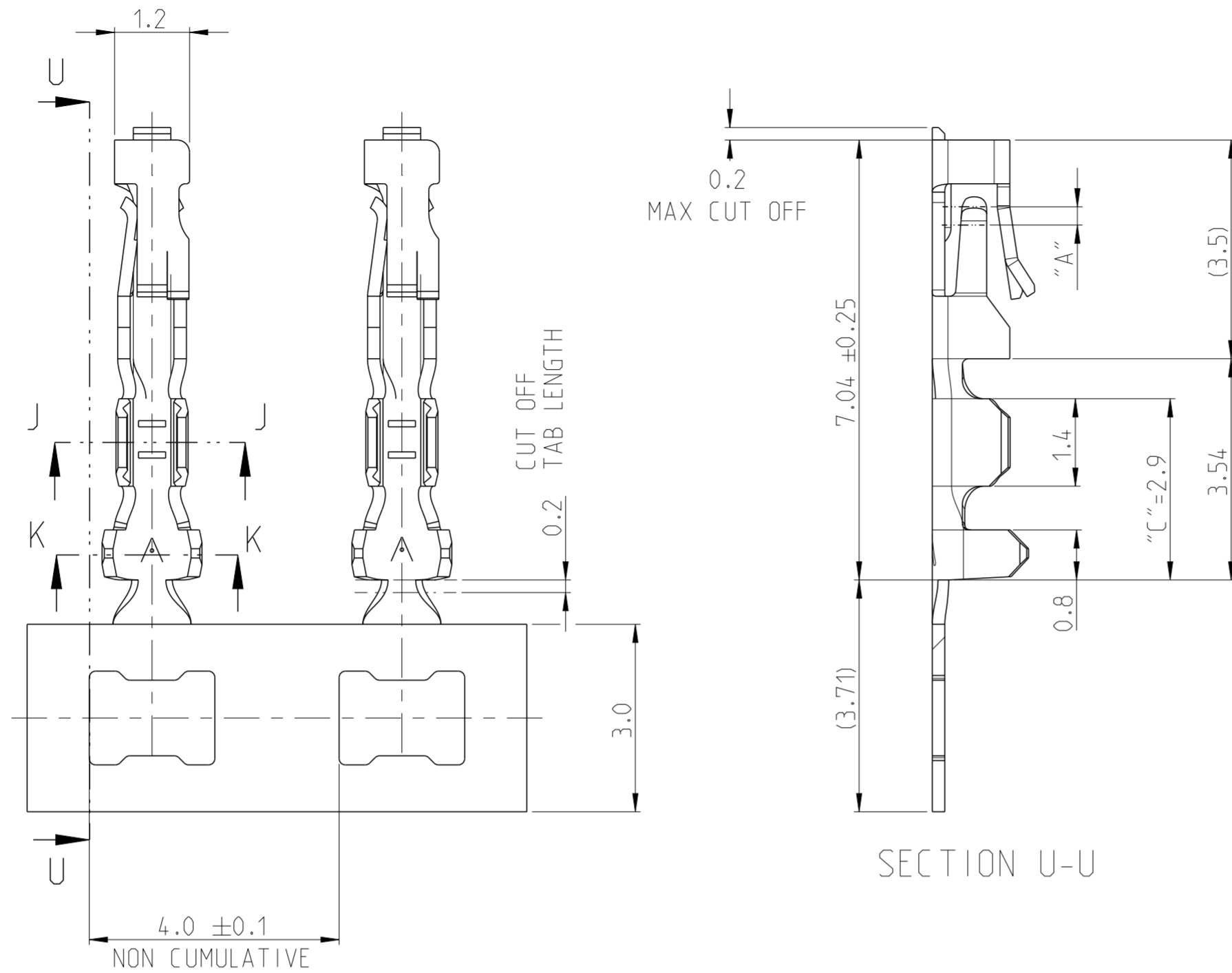
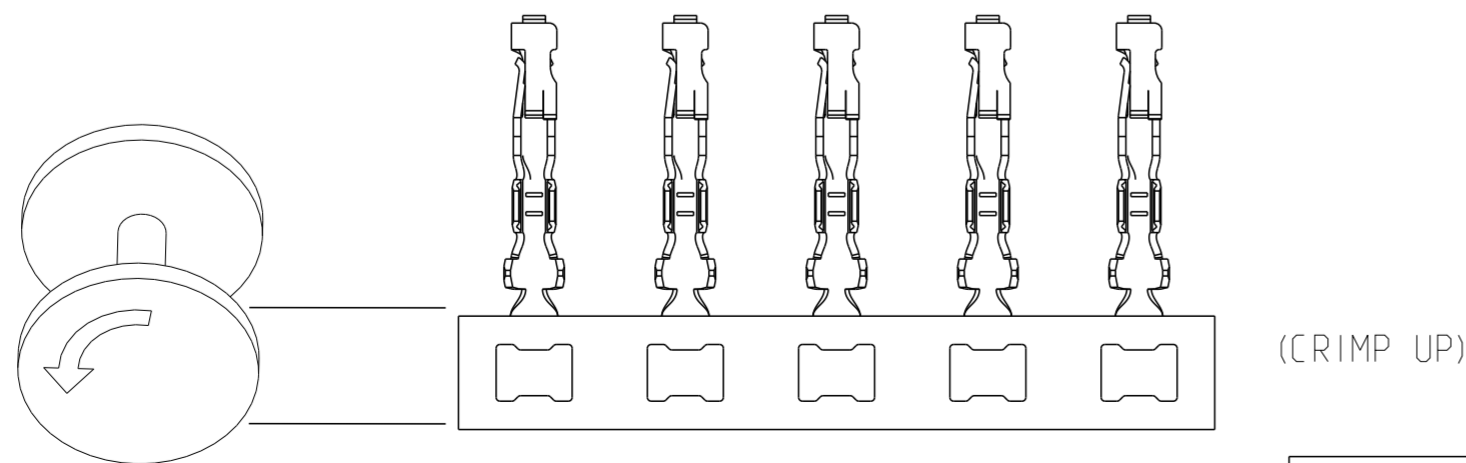
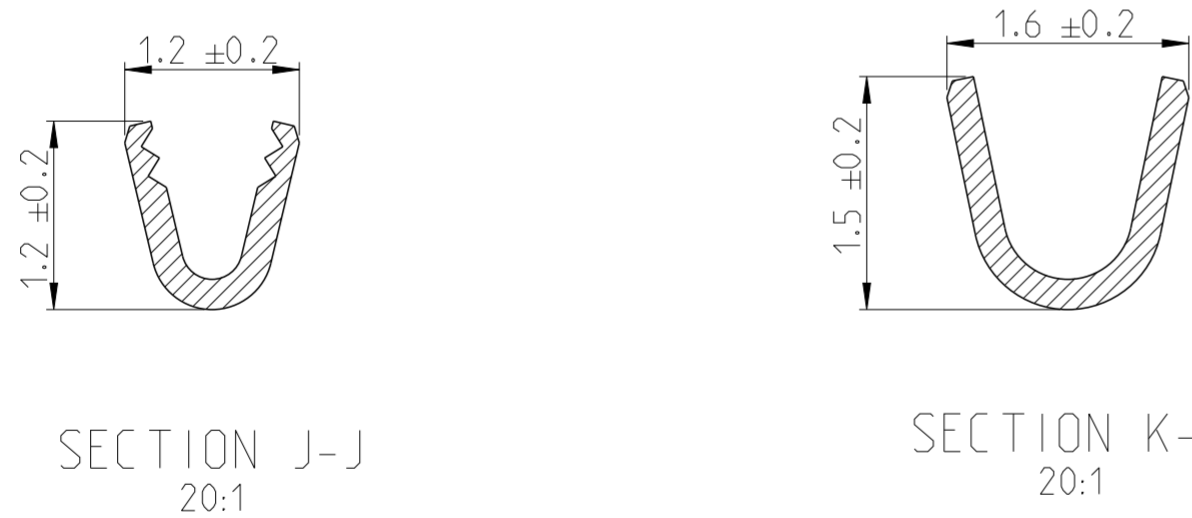


P	LTR	DESCRIPTION	DATE	DWN	APVD
A		RELEASE TO PRODUCTION	18 JUN 2020	AY	PS
A1		SMART PN DETAILS ADDED	16 FEB 2022	SCB	PS



- NOTES:
- MATERIAL: PHOSPHOR BRONZE, 0.2mm THICK
 - FINISH: 1.27-2.54 μm TIN ALL OVER
UNDERPLATE 1.27 μm MIN NICKEL ALL OVER
 - CONTACT AREA "A": MIN 0.1 μm THK GOLD
CRIMP AREA "C": 1.27 - 2.54 μm THK TIN
UNDERPLATE 1.27 μm MIN NICKEL ALL OVER
 - CONTACT AREA "A": MIN 0.38 μm THK GOLD
CRIMP AREA "C": 1.27 - 2.54 μm THK TIN
UNDERPLATE 1.27 μm MIN NICKEL ALL OVER
 - CONTACT AREA "A": MIN 0.76 μm THK GOLD
CRIMP AREA "C": 1.27 - 2.54 μm THK TIN
UNDERPLATE 1.27 μm MIN NICKEL ALL OVER
6. APPLICABLE HOUSINGS :
SINGLE ROW : 2316102
DUAL ROW : 2316108, 2316109



WIRE RANGE: 0.05-0.08 mm² (30-28 AWG)
INSULATION RANGE: Ø0.5-Ø1.0mm

5	-	2MM-RT-S-H-LP	LOOSE PIECE - HANDTOOL
5	30,000	2MM-RT-S-H-ST	OCEAN APPLICATOR
4	-	2MM-RT-S-M-LP	LOOSE PIECE - HANDTOOL
4	30,000	2MM-RT-S-M-ST	OCEAN APPLICATOR
3	-	2MM-RT-S-F-LP	LOOSE PIECE - HANDTOOL
3	30,000	2MM-RT-S-F-ST	OCEAN APPLICATOR
2	-	2MM-RT-S-T-LP	LOOSE PIECE - HANDTOOL
2	30,000	2MM-RT-S-T-ST	OCEAN APPLICATOR
FINISH	QTY PER REEL	SMART PN	TOOLING

THIS DRAWING IS A CONTROLLED DOCUMENT.

DWN: SOURAV DAS 29OCT2017
CHK: RAKSHITH R NAYAK 29OCT2017
APVD: PRASHANTH 08DEC2017

TE Connectivity

NAME: AMPMODU 2mm RECEPTACLE, wTB
CRIMP CONTACT, AWG 30-28

PRODUCT SPEC: 108-64040-1
APPLICATION SPEC: 114-32173

SIZE: A2
CAGE CODE: 00779
DRAWING NO: 2316114
RESTRICTED TO: -

MATERIAL: SEE NOTE
FINISH: -

CUSTOMER DRAWING

SCALE: 12:1
SHEET: 1 OF 2
REV: A1

P	LTR	DESCRIPTION	DATE	DWN	APVD
-	-	SEE SHEET 1	-	-	-

SMART PART NUMBER
2MM - RT - S - - - -

PRODUCT SERIES

2MM	AMPMODU 2mm SERIES
-----	--------------------

PACKAGING

ST	STRIP
LP	LOOSE PIECE

GENDER / TYPE

RT	RECEPTACLE CRIMP CONTACT
----	--------------------------

PLATING


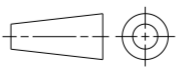
T	TIN
F	GOLD FLASH
M	0.38 μm GOLD
H	0.76 μm GOLD

WIRE SIZE

S	AWG 30-28
---	-----------

SMART PN EXAMPLES:

- 2MM-RT-S-T-ST:
AMPMODU 2mm, RECEPTACLE CRIMP CONTACT, AWG 30-28 SIZE WIRE, TIN PLATED, STRIP PACKAGING
- 2MM-RT-S-M-LP:
AMPMODU 2mm, RECEPTACLE CRIMP CONTACT, AWG 30-28 SIZE WIRE, 0.38 μm GOLD PLATED, LOOSE PIECE PACKAGING

THIS DRAWING IS A CONTROLLED DOCUMENT.		DWN SOURAV DAS 29OCT2017	 TE Connectivity	
DIMENSIONS: mm		CHK RAKSHITH R NAYAK 29OCT2017		
TOLERANCES UNLESS OTHERWISE SPECIFIED:		APVD PRASHANTH 08DEC2017	NAME AMPMODU 2mm RECEPTACLE, wTB CRIMP CONTACT, AWG 30-28	
		PRODUCT SPEC 108-64040-1	RESTRICTED TO -	
MATERIAL SEE NOTE		APPLICATION SPEC 114-32173	SIZE A2	CAGE CODE 00779
WEIGHT -		DRAWING NO C-2316114	SCALE 12:1	
CUSTOMER DRAWING		SHEET 2 OF 2		REV A1