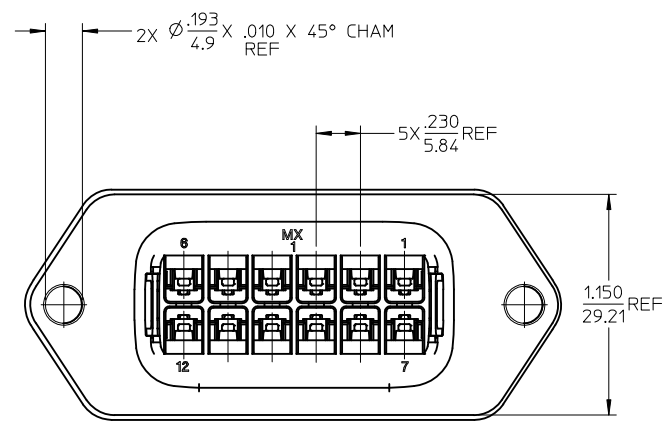
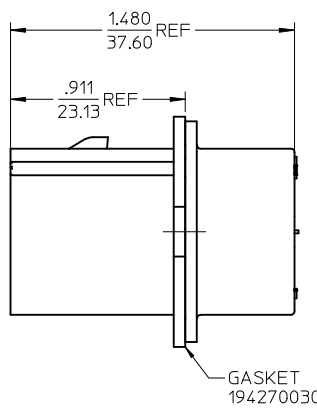
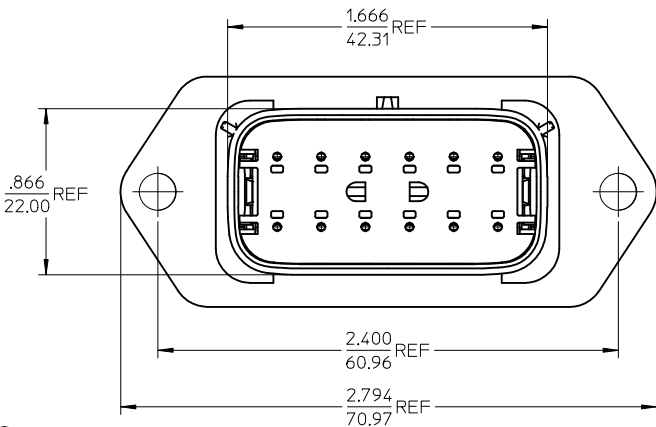
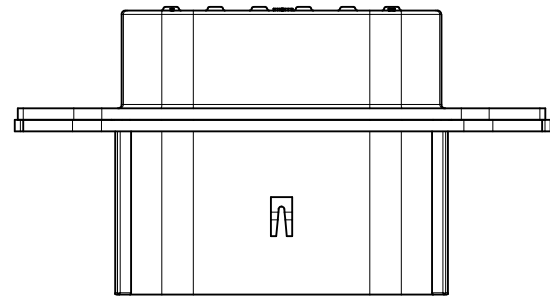
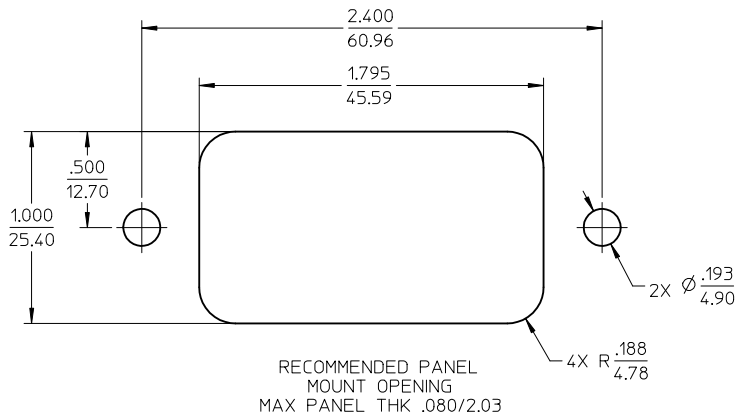


ASSEMBLED VIEW  
SCALE 1:1



- NOTES:  
 1. MATERIALS:  
 HOUSING: POLYESTER (PBT), GLASS FILLED, UL94 V-0, COLOR: BLACK  
 GASKET: EPDM RUBBER  
 2. PRODUCT SPECIFICATION: PS-19417-001.  
 3. PACKAGING SPECIFICATION: PK-19429-001.  
 GASKETS, IF REQUIRED FOR THE ASSEMBLIES, ARE BULK PACKAGED IN A SEPARATE BAG.  
 4. MATES WITH: 19418 SERIES RECEPTACLE ASSEMBLIES.  
 5. USE CONNECTOR WITH MALE CRIMP TERMINAL: SERIES 19417.  
 6. RECOMMENDED MOUNTING HARDWARE: (2) #10 X .62/15.8 LONG PLASTIC THREAD CUTTING SCREWS, RECOMMENDED TORQUE 15-17 IN-LBS. SUGGESTED SOURCE: ITW SHAKEPROOF INDUSTRIAL BOSSCREW OR EQUIVALENT.  
 7. ASSEMBLY IS ROHS COMPLIANT.

194290047	YES
194290031	NO
MATERIAL NUMBER	GASKET

REVISE NOTES EC NO: IPG2012-0161 DRWN: WLEUNG 2012/02/10 CHKD: APPR: DITTIUS 2012/02/28	QUALITY SYMBOLS	GENERAL TOLERANCES (UNLESS SPECIFIED) 4 PLACES ± --- ± --- 3 PLACES ± --- ± .015 2 PLACES ± 0.38 ± --- 1 PLACE ± --- ± --- ANGULAR ± 1 °	SCALE 2:1	DESIGN UNITS INCH	THIRD ANGLE PROJECTION	REVISE ON CAD ONLY
			DIMENSION STYLE IN/MM	TITLE 12 WAY PLUG PANEL MOUNT ASSEMBLY W/O BOSS 22-14 AWG		
			DRAWN BY DATE DMYRICK 04/07/21	CHECKED BY DATE JPAWLICK 04/07/21		
			APPROVED BY DATE RDEROSS 04/07/21	MATERIAL NO. SEE CHART		
DRAFT WHERE APPLICABLE MUST REMAIN WITHIN DIMENSIONS		THIS DRAWING CONTAINS INFORMATION THAT IS PROPRIETARY TO MOLEX INCORPORATED AND SHOULD NOT BE USED WITHOUT WRITTEN PERMISSION		DOCUMENT NO. SD-19429-015		SHEET NO. 1 OF 1