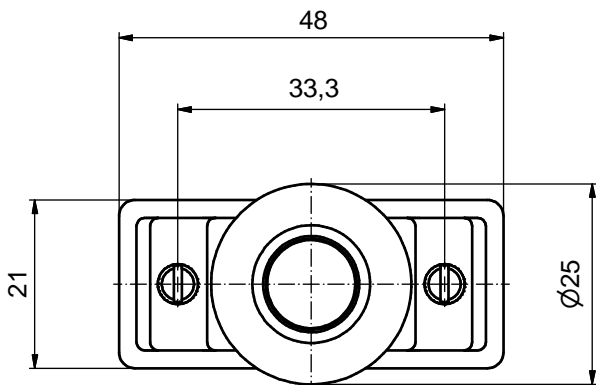
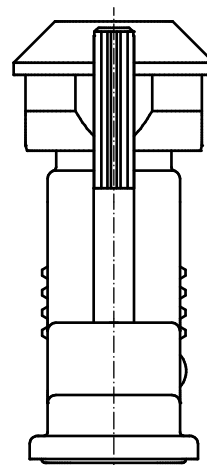
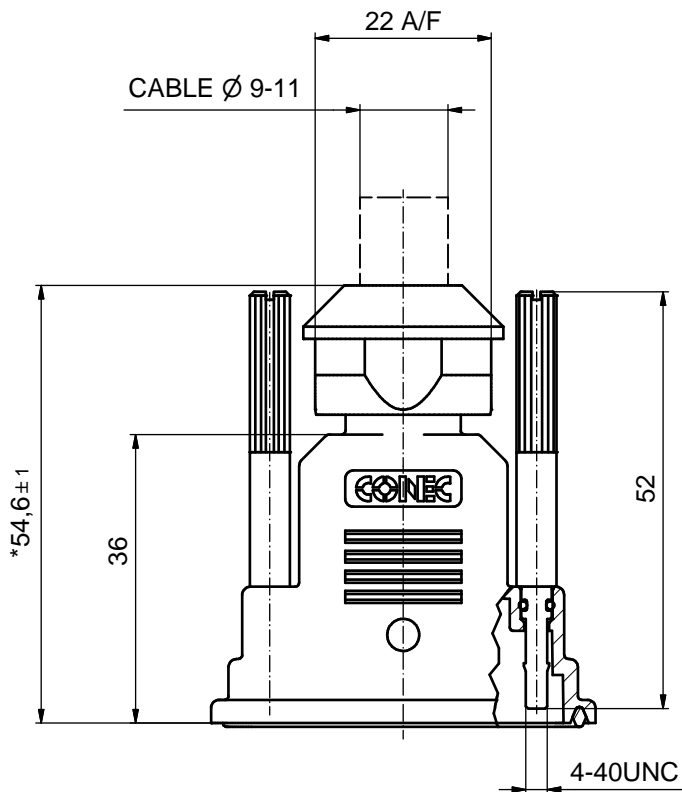
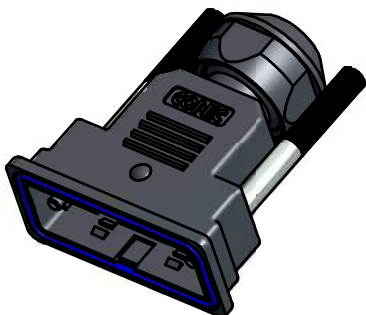


6 5 4 3 2 1



(1:1)



* COMPLETELY TIGHTENED

NOTES:

- MATERIALS:
HOOD: PBT GF UL94 V-0 BLACK
FRONTSEALING: SILICONE VMQ BLUE
SCREW: STAINLESS STEEL
O-RING: NBR BLACK
- TEMPERATURE RANGE: -30°C TO +90°C
- RECOMMENDED TORQUE FOR SCREW:
35Ncm (3.1 in.LB)
MAX. TORQUE: 68Ncm (6 in.LB)
- SINGLE PACKED

Directive 2002/95/EC RoHS compliant

THIS DRAWING MAY NOT BE COPIED OR REPRODUCED IN ANY WAY, AND MAY NOT BE PASSED ON TO A THIRD PARTY WITHOUT WRITTEN PERMISSION. OWNERSHIP AND COPYRIGHT OF CONEC GmbH DO NOT ALTER CAD DRAWING BY HAND	tolerance ± 0,3 unless otherw. specified		dim. in mm		scale: 1,5:1 (1:1)
	date		name		material: SEE NOTES
	drawn	06.02.2014	Heinrich		title: WATER RESISTANT D-SUB HOOD ① 15 POS. JACKSCREW 4-40UNC STAINLESS STEEL
	appd.	06.02.2014	Huether		
	norm				
b	A5090	06.02.2014	Heinrich	d-old	dwg no:
a	Origin				15K1A1152
rev.	description	date	name	part no: ① 15-004670	
CONEC					DIN-A3
					sh: 1

6 5 4 3 2 1