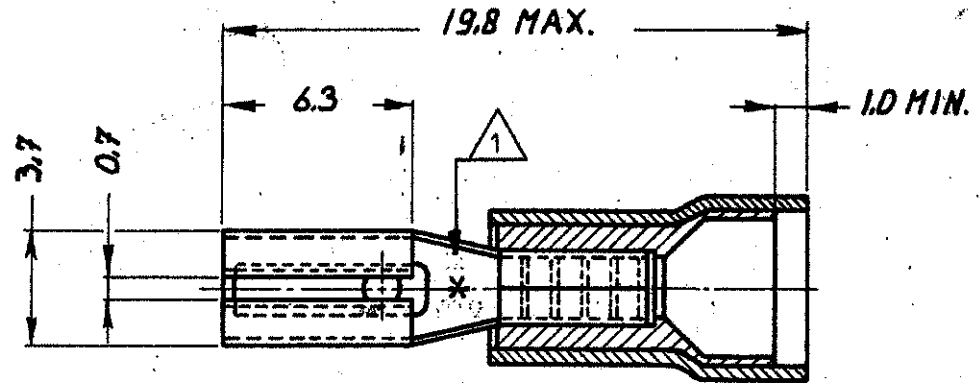


NUMBER C-165617

DRAWING MADE IN AMERICAN PROJECTION

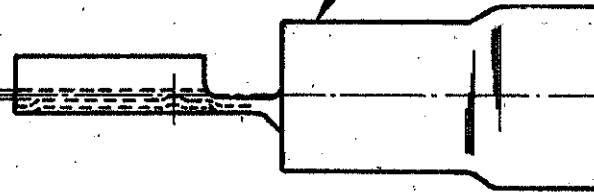
REVISIONS

P	LTR	DESCRIPTION	DATE	DWN	APVD
G1		REVISED PER ECO-17-002887	01SEP2017	RS	DR



FITS 0.8 TAB THK.

BLUE P.V.C INSULATION.



△ 1 ASTERISK * FOR PH.BRONZE VERSION ONLY.

** FOR WIRES I.D UP TO 1.5 mm² CONTACT AMP

△ 3 OBSOLETE W/O REPLACEMENT

2-165617-5	165617-5	TAPE MOUNTED
2-165617-2	165617-2	TAPE MOUNTED
△ 165617-4	PH. BRONZE	GOLD
△ 165617-6	PH. BRONZE	SILVER
165617-5	PH. BRONZE	TIN
△ 165617-4	BRASS	GOLD
△ 165617-3	BRASS	SILVER
165617-2	BRASS	TIN

CUSTOMER COPY FOR REFERENCE ONLY

©1981 BY AMP-HOLLAND N.V. ALL RIGHTS RESERVED A-MP PRODUCTS COVERED BY PATENTS AND/OR PATENTS PENDING.



TE Connectivity

WIRE-RANGE	INSUL.-RANGE	FIRST USED
1.5-2.5 mm ² **	4.3mm. MAX.	

ORDER NO.	MATERIAL	PLATING	SCALE	SIZE	NO	REV
			N.O.S.	A	C-165617	G1

DR	DATE	DE	DATE
B. WILLEMSSEN	NOV. 81		
CHK	DATE	APP	DATE
B. Jans	18-11-81		19-11-81

NAME
110 SERIES PIDG FASTON RECEPTACLE

DIMENSIONS IN M.M. DO NOT SCALE PRINT