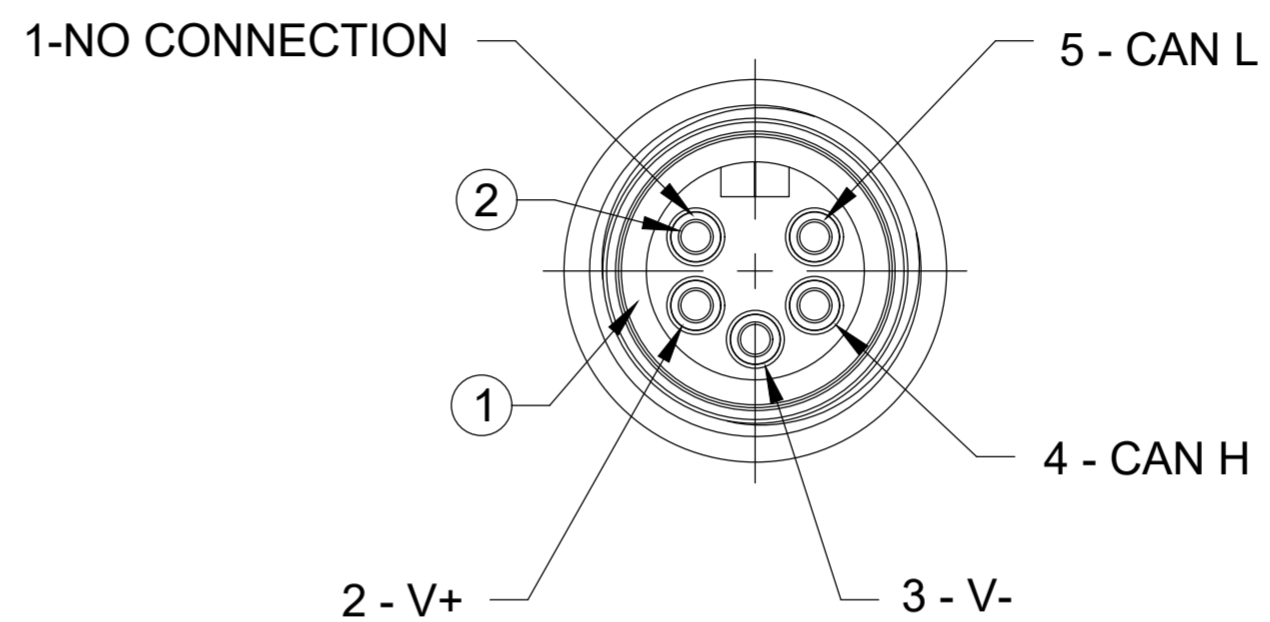
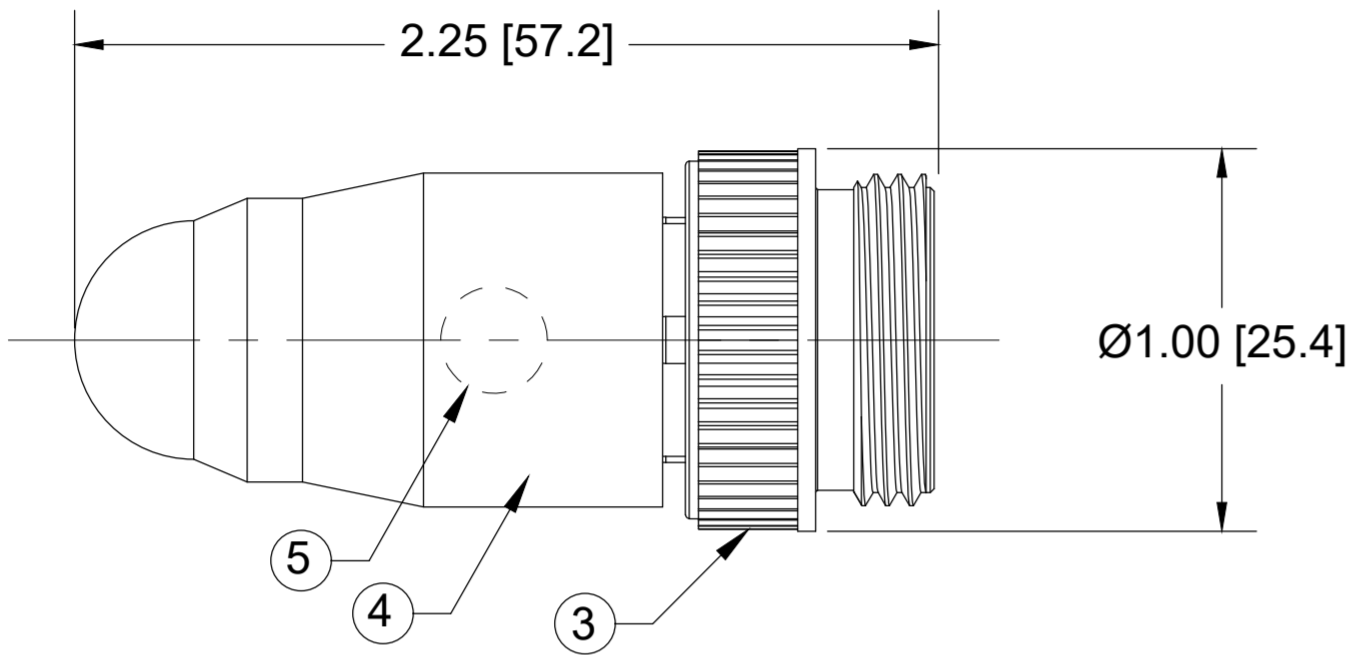
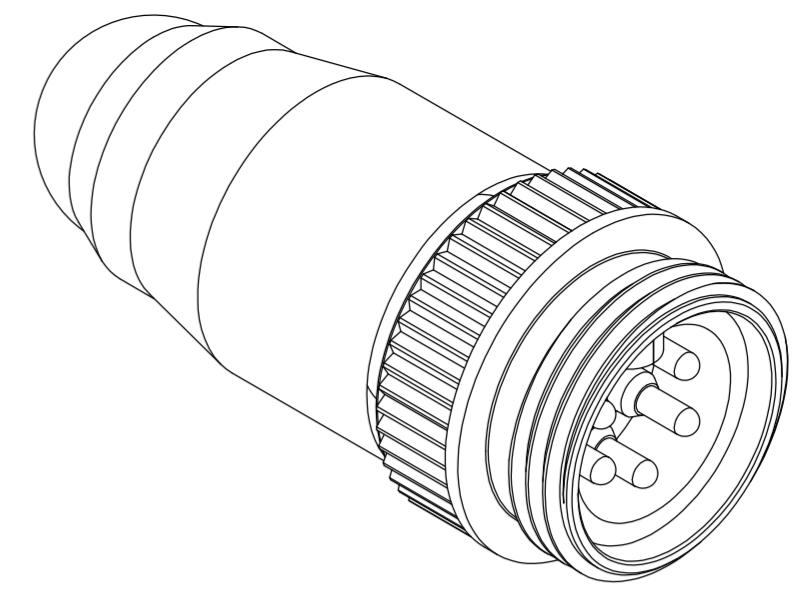
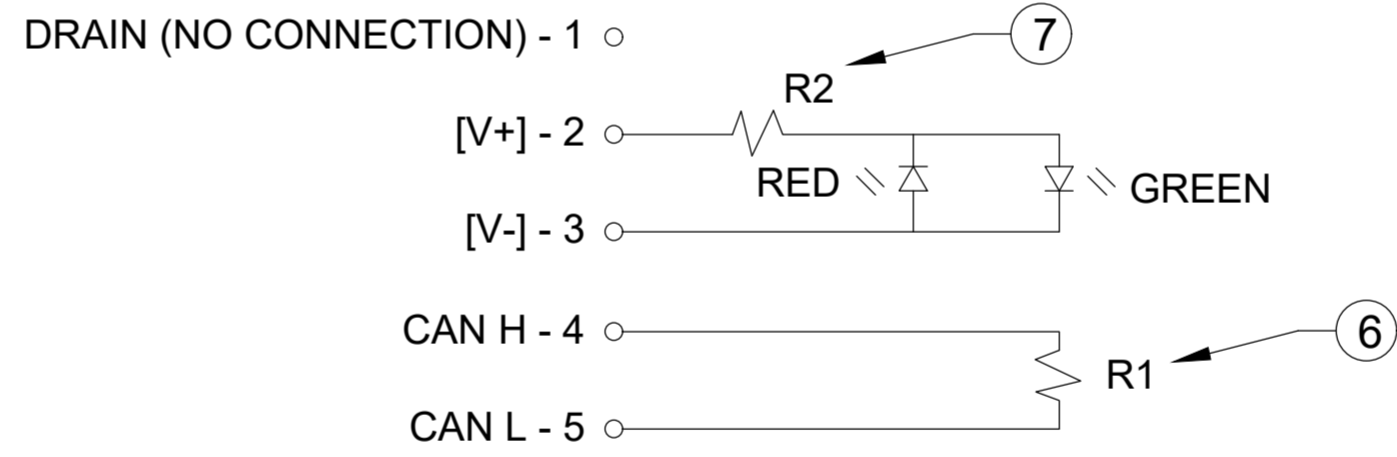


MATERIAL NUMBER	ENGINEERING NUMBER
1300390371	DN100L



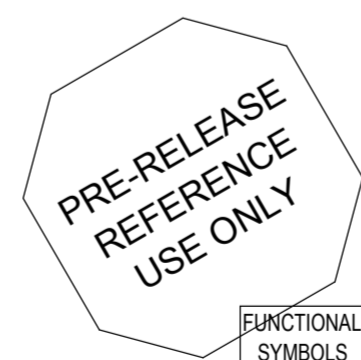
NOTES:

- MATERIAL: AS NOTED
- FINISH: AS NOTED
- ELECTRICAL:  
VOLTAGE: 50 VAC/VDC  
CURRENT: 8 AMPS
- TEMP RATING: 0°C TO +60°C
- PROTECTION: IP67 (WHEN MATED)
- COUPLING THREAD: 7/8"-16UN
- ALL DIMENSIONS ARE FOR REFERENCE UNLESS TOLERANCED OR NOTED OTHERWISE



WIRING SCHEMATIC

ITEM	COMPONENT	MATERIAL	FINISH
1	INSERT	TPE	GRAY
2	CONTACT PIN	COPPER ALLOY	GOLD OVER NICKEL
3	COUPLNG NUT	ZINC DIE CAST	BLACK E-COATED
4	OVERMOLD	PUR	CLEAR
5	LED		RED/GREEN
6	RESISTOR(R1)	121 OHM 1/4 WATT	
7	RESISTOR(R2)	1600 OHM 1/2 WATT	



THIS DRAWING CONTAINS INFORMATION THAT IS PROPRIETARY TO MOLEX ELECTRONIC TECHNOLOGIES, LLC AND SHOULD NOT BE USED WITHOUT WRITTEN PERMISSION											
FUNCTIONAL SYMBOLS		DIMENSION UNITS		SCALE		CURRENT REV DESC: ITEM# 1 & 4 WERE PVC					
FA=0		INCH/MM		NTS		<b>molex</b> MINI-CHANGE TERMINATOR, A-SIZE, 5 POLE, MALE, STRAIGHT, SINGLE KEY, 22AWG PRODUCT CUSTOMER DRAWING					
FC=0		GENERAL TOLERANCES (UNLESS SPECIFIED)									
FP=0		mm		INCH							
DIVISIONAL SYMBOLS		4 PLACES ±----		±----							
		3 PLACES ±----		±----		EC NO: 643513		2020/07/15		DRWN: ABENJAMINLW 2020/08/28	
		2 PLACES ±----		±0.01		CHK'D: RSTONE		----			
		1 PLACE ±0.3		±----		APPR: ----		----		INITIAL REVISION: DRWN: LHARTMAN 2009/08/27 APPR: JFMURPHY	
		0 PLACES ±----		±----		ANGULAR TOL ± ---- °		THIRD ANGLE PROJECTION			
DOCUMENT STATUS		RV		RELEASE DATE		2020/08/28		17:02:28		DOCUMENT NUMBER: SD-130039-013 DOC TYPE/DOC PART: PSD 001 REVISION: B	
MATERIAL NUMBER		CUSTOMER		SHEET NUMBER		SEE_CHART		GENERAL MARKET		1 OF 1	