

6

5

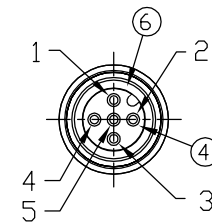
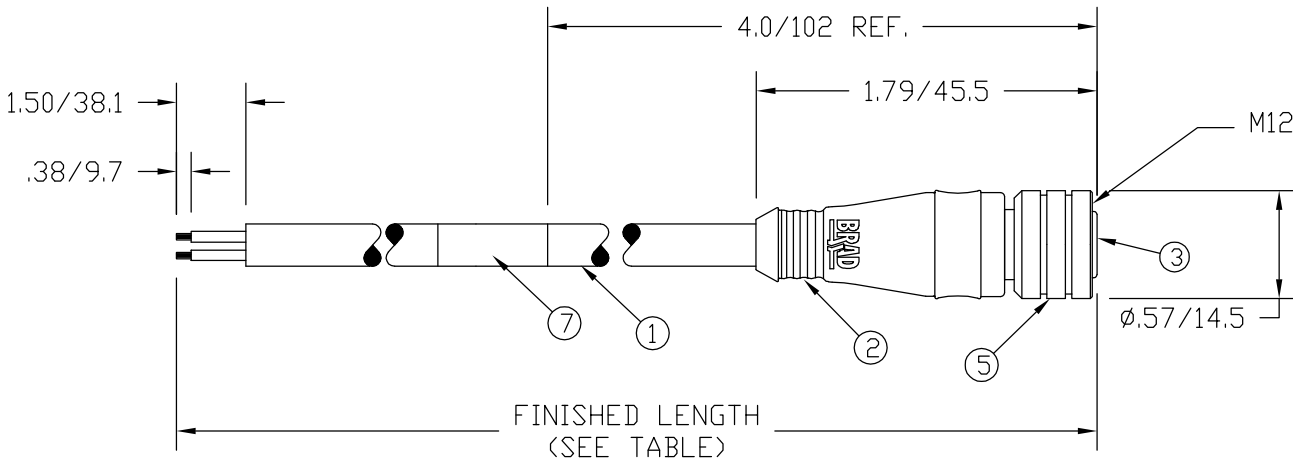
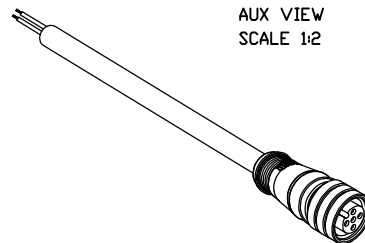
4

3

2

1

MATERIAL NUMBER	ENGINEERING NUMBER	FINISHED LENGTH
120065-1367	805000K03M020	2.0M +89mm -0 [6.56' +3.5' -0]
120065-1369	805000K03M040	4.0M +165mm -0 [13.12' +6.5' -0]
120065-1370	805000K03M050	5.0M +165mm -0 [16.40' +6.5' -0]
120065-1371	805000K03M060	6.0M +165mm -0 [19.69' +6.5' -0]
120065-1373	805000K03M100	10.0M +318mm -0 [32.81' +12.5' -0]



FEMALE FACE VIEW

1	BROWN
2	WHITE
3	BLUE
4	BLACK
5	GRAY

WIRING DIAGRAM

NOTES:

- 1) MATERIALS: SEE TABLE
- 2) FINISHES: SEE TABLE
- 3) CABLE: #18/5 ITC/PLTC TPE
- 4) ELECTRICAL DATA:
MAX. VOLTAGE: 250 VAC/VDC
MAX. CURRENT 4 AMPS
- 5) ENVIRONMENTAL:
PROTECTION IP67
TEMPERATURE RANGE: -20°C TO 105°C
- 6) WRAP LABEL IS MARKED WITH P/N, DATE CODE,
VOLTAGE & AMPERAGE.
- 7) ASSEMBLY IS RoHS COMPLIANT.

ITEM	QTY.	DESCRIPTION	MATERIAL	FINISH
7	1	LABEL	MYLAR	BLACK/YELLOW
6	1	O-RING	VITON	RED
5	1	COUPLER	BRASS	TEFLON/NICKEL
4	5	SOCKET CONTACT	COPPER ALLOY	GOLD OVER NICKEL
3	1	INSERT	PUR	BLACK
2	1	OVERMOLD	TPE	YELLOW
1	1	18/5 CABLE	TPE JACKET	YELLOW

RELEASED DRAWING
 EC NO: MEL2010-0054
 DRWN: BWOODMAN 8/17/09
 CHKD: YOU 2009/07/29
 APPR: JFMURPHY 2009/08/21

QUALITY SYMBOLS
 ▽=0
 ▽=0

DESCRIPTION
 A

GENERAL TOLERANCES (UNLESS SPECIFIED)

	mm	INCH
4 PLACES	±----	±----
3 PLACES	±----	±----
2 PLACES	±----	±.01
1 PLACE	±0.3	±----

ANGULAR ±----°

**DRAFT WHERE APPLICABLE
MUST REMAIN
WITHIN DIMENSIONS**

DIMENSION STYLE
IN/MM

DRAWN BY DATE
BWOODMAN 2009/08/17

CHECKED BY DATE
YOU 2009/08/17

APPROVED BY DATE

MATERIAL NO.
SEE TABLE

SIZE
A

SCALE 1:1

DESIGN UNITS INCH

THIRD ANGLE PROJECTION

TITLE
**MICRO-CHANGE CORDSET
5P FE ST SINGLE KEY
#18/5 YELLOW TPE CABLE**

MOLEX INCORPORATED

DOCUMENT NO. **SD-120065-022**

SHEET NO. **1 OF 1**

THIS DRAWING CONTAINS INFORMATION THAT IS PROPRIETARY TO MOLEX INCORPORATED AND SHOULD NOT BE USED WITHOUT WRITTEN PERMISSION

6

5

4

3

2

1

E

E

D

D

C

C

B

B

A

A