

GlobTek, Inc. www.globtek.com 186 Veterans Drive, Northvale, NJ 07647 Tel. (201) 784-1000 Fax (201) 784-0111	Drawing Title: GTM91120-1507.5-2.5-P2, ICT / ITE / Medical Power Supply, Efficiency Level: V, Case Color/Style: GlobTek Black, Potted/Encapsulated in plastic housing, Regulated Switchmode AC-DC Power Supply AC Adaptor, Input Rating: 100-240V~, 50-60 Hz, N. America NEMA 1-15 Fixed, Output Rating: 15W, 5.0V@3.0A, Output Configuration: 2000 mm, 18/1C + Shield Cond, UL 1185, USB Type-C Connector compliant with Directive (EU) 2022/2380 and 2014/53/EU Radio Equipment Directive (RED), Ferrite: None, GlobTek Black, GT Cord # C61322, Pin Out: +V: A4, A9, B4, B9, GND: A1, A12, B1, B12, CC1: A5, 10K to +V D+:A6, D-:A7, Blades/Input Cord: North American: 2 Conductor Nema 1-15P (non-polarized) Plug, SPT-2, 18/2, L=3600±25mm, Black, UL/CSA, with enclosure strain relief, Approvals: Fuse 60335; Book 60601; CB 60601-1; CB 60950; CB EN/IEC 60335-1; CE; LPS 62368; CE; China RoHS; cRUus (up to 30V); cRUus; EAC; FCC; IEC 60335; IEC/EN60601-1; IEC/EN60950-1; IP68; Level V; LPS 60950; PSE; SIQ; ETL 62368; SIQ; Ukraine; VCCI; WEEE; ETL; CB60335;	
	Model No. GTM91120-1507.5-2.5-P2	
	Part No./Ordering No. PR91A3000USBCIMRVB	Rev A

In Addition to GlobTek Inc.'s renewed ISO9001:2015 - Quality Management System Certification, GlobTek Inc. is now certified to:

ISO13485:2016 - Medical Devices Quality Management System Certification

ISO14001:2015 - Environmental Management System Certification

ISO Certificates are available online at <https://www.globtek.com/iso-certificates/>

The acceptance of this specification and use of the product described in this document indicates the acceptance and binding of the customer to Globtek TERMS AND CONDITIONS (attached to the end of this document), which supersede all other agreements, terms, and conditions (<https://en.globtek.com/terms-and-conditions/>).

The purchaser of this product (Customer) agrees that it is their sole responsibility to determine suitability/fitness of the product described in this specification for their application and to take precautions for protection against any hazards attendant to the handling and use of the product.

Footnote:

GlobTek Inc. will not be liable for the safety and performance of these power supplies/battery packs if unauthorized access and repair occurs. End user should consult applicable UL, CSA or EN standards for proper installation instruction.

Limitation of Use:

GlobTek products are intended for use with commercial, medical, and/or industrial equipment only. GlobTek product are not authorized for use as mission critical components in life support hazardous environment, nuclear or aircraft applications without prior written approval from the CEO of GlobTek Inc.

Contents of this document are subject to change without prior notice.

Customer Approval of Specification:

Please approve, sign and send back to GlobTek so we can complete order processing.

A delay in receipt of this form will delay delivery schedule.

Company Name: _____	Customer P/N: _____
Quote Number: _____	Date: _____
Authorized Representative Name: _____	Authorized Representative Signature: _____

GlobTek, Inc. www.globtek.com 186 Veterans Drive, Northvale, NJ 07647 Tel. (201) 784-1000 Fax (201) 784-0111	Drawing Title: GTM91120-1507.5-2.5-P2, ICT / ITE / Medical Power Supply, Efficiency Level: V, Case Color/Style: GlobTek Black, Potted/Encapsulated in plastic housing, Regulated Switchmode AC-DC Power Supply AC Adaptor, Input Rating: 100-240V~, 50-60 Hz, N. America NEMA 1-15 Fixed , Output Rating: 15W, 5.0V@3.0A, Output Configuration: 2000 mm, 18/1C + Shield Cond, UL 1185, USB Type-C Connector compliant with Directive (EU) 2022/2380 and 2014/53/EU Radio Equipment Directive (RED), Ferrite: None, GlobTek Black, GT Cord # C61322, Pin Out: +V: A4, A9, B4, B9, GND: A1, A12, B1, B12, CC1: A5, 10K to +V D+:A6, D-:A7, Blades/Input Cord: North American: 2 Conductor Nema 1-15P (non-polarized) Plug, SPT-2, 18/2, L=3600±25mm, Black, UL/CSA, with enclosure strain relief, Approvals: Fuse 60335; Book 60601; CB 60601-1; CB 60950; CB EN/IEC 60335-1; CE; LPS 62368; CE; China RoHS; cRUus (up to 30V); cRUus; EAC; FCC; IEC 60335; IEC/EN60601-1; IEC/EN60950-1; IP68; Level V; LPS 60950; PSE; SIQ; ETL 62368; SIQ; Ukraine; VCCI; WEEE; ETL; CB60335;	
	Model No. GTM91120-1507.5-2.5-P2	
	Part No./Ordering No. PR91A3000USBCIMRVB	Rev A

REVISION HISTORY

REV	DESCRIPTION	SUB	DATE	APPROVED
A	Initial release	QA	10/07/2021	QA

POWER SUPPLY INFORMATION

TYPE	Potted/Encapsulated in plastic housing
TECHNOLOGY	Regulated Switchmode AC-DC Power Supply AC Adaptor
CASE COLOR	GlobTek Black
NAMEPLATE RATED INPUT	100-240V~, 50-60 Hz, 1.5A
INPUT CONFIG	N. America NEMA 1-15 Fixed
WATTS	15.00
VOLTS OUT	5.0
CURRENT OUT (Amps)	3.0
BLADE/CORD INCLUDED	FC-NA2-3600 North American: 2 Conductor Nema 1-15P (non-polarized) Plug, SPT-2, 18/2, L=3600±25mm, Black, UL/CSA, with enclosure strain relief
INGRESS PROTECTION	IP68
GROUNDING CONFIGURATION	(F1) Class II / Double Insulated
EFFICIENCY LEVEL	V
OUTPUT CONFIGURATION	2000 mm, 18/1C + Shield Cond, UL 1185, USB Type-C Connector compliant with Directive (EU) 2022/2380 and 2014/53/EU Radio Equipment Directive (RED), Ferrite: None, GlobTek Black, GT Cord # C61322
OVERMOLDED	Yes
OUTPUT CONNECTOR GENDER	not applicable
CONNECTOR PIN OUT	+V: A4, A9, B4, B9, GND: A1, A12, B1, B12, CC1: A5, 10K to +V D+:A6, D-:A7
LABEL SPECS	ISO 15223 medical device compliant label,L-1470
SPECIAL BARCODE LABEL MATERIAL	No
PACK SPEC	Standard GTM91120, Individually Box
USER MANUAL	

PROPRIETARY INFORMATION

GlobTek, Inc. www.globtek.com 186 Veterans Drive, Northvale, NJ 07647 Tel. (201) 784-1000 Fax (201) 784-0111	Drawing Title: GTM91120-1507.5-2.5-P2, ICT / ITE / Medical Power Supply, Efficiency Level: V, Case Color/Style: GlobTek Black, Potted/Encapsulated in plastic housing, Regulated Switchmode AC-DC Power Supply AC Adaptor, Input Rating: 100-240V~, 50-60 Hz, N. America NEMA 1-15 Fixed , Output Rating: 15W, 5.0V@3.0A, Output Configuration: 2000 mm, 18/1C + Shield Cond, UL 1185, USB Type-C Connector compliant with Directive (EU) 2022/2380 and 2014/53/EU Radio Equipment Directive (RED), Ferrite: None, GlobTek Black, GT Cord # C61322, Pin Out: +V: A4, A9, B4, B9, GND: A1, A12, B1, B12, CC1: A5, 10K to +V D+:A6, D-:A7, Blades/Input Cord: North American: 2 Conductor Nema 1-15P (non-polarized) Plug, SPT-2, 18/2, L=3600±25mm, Black, UL/CSA, with enclosure strain relief, Approvals: Fuse 60335; Book 60601; CB 60601-1; CB 60950; CB EN/IEC 60335-1; CE; LPS 62368; CE; China RoHS; cRUus (up to 30V); cRUus; EAC; FCC; IEC 60335; IEC/EN60601-1; IEC/EN60950-1; IP68; Level V; LPS 60950; PSE; SIQ; ETL 62368; SIQ; Ukraine; VCCI; WEEE; ETL; CB60335;	
	Model No. GTM91120-1507.5-2.5-P2	
	Part No./Ordering No. PR91A3000USBCIMRVB	Rev A

Notes/Modifications/Customizations (notes in this section supersede the values shown in the standard spec)

DIMENSIONS ARE IN MM UNLESS SPECIFIED OTHERWISE

GlobTek, Inc. www.globtek.com 186 Veterans Drive, Northvale, NJ 07647 Tel. (201) 784-1000 Fax (201) 784-0111	Drawing Title: GTM91120-1507.5-2.5-P2, ICT / ITE / Medical Power Supply, Efficiency Level: V, Case Color/Style: GlobTek Black, Potted/Encapsulated in plastic housing, Regulated Switchmode AC-DC Power Supply AC Adaptor, Input Rating: 100-240V~, 50-60 Hz, N. America NEMA 1-15 Fixed , Output Rating: 15W, 5.0V@3.0A, Output Configuration: 2000 mm, 18/1C + Shield Cond, UL 1185, USB Type-C Connector compliant with Directive (EU) 2022/2380 and 2014/53/EU Radio Equipment Directive (RED), Ferrite: None, GlobTek Black, GT Cord # C61322, Pin Out: +V: A4, A9, B4, B9, GND: A1, A12, B1, B12, CC1: A5, 10K to +V D+:A6, D-:A7, Blades/Input Cord: North American: 2 Conductor Nema 1-15P (non-polarized) Plug, SPT-2, 18/2, L=3600±25mm, Black, UL/CSA, with enclosure strain relief, Approvals: Fuse 60335; Book 60601; CB 60601-1; CB 60950; CB EN/IEC 60335-1; CE; LPS 62368; CE; China RoHS; cRUus (up to 30V); cRUus; EAC; FCC; IEC 60335; IEC/EN60601-1; IEC/EN60950-1; IP68; Level V; LPS 60950; PSE; SIQ; ETL 62368; SIQ; Ukraine; VCCI; WEEE; ETL; CB60335;	
	Model No. GTM91120-1507.5-2.5-P2	
	Part No./Ordering No. PR91A3000USBCIMRVB	Rev A

ELECTRICAL SPECIFICATIONS

A) ELECTRICAL SPECIFICATIONS:

1. Input Voltage: Specified 90-264 Vac, Nameplate rated: 100-240Vac
2. Input Frequency: Specified 47-63 Hz, Nameplate rated 50-60Hz
3. Output Regulation: 8%- 5% measured at the output connector
4. Line Voltage Regulation: +/- 2% typical measured at full load
5. Output Ripple (Vp-p): +/-2% maximum, measured at 20 MHz bandwidth with 0.1 uf ceramic capacitor in parallel with 10 uf electrolytic capacitor connected at the end of the output connector at nominal line
Optional low ripple option available (RFP4579)
6. Turn-ON/OFF Overshoot: 5% maximum, 500uS typical recovery time for 25% to 50% step load
7. Turn-ON Delay: 3 Seconds, maximum @ full load, nominal line
08. Hold-Up Time: 5mS typical @ nominal input voltage and full load
09. Inrush Current: 60A maximum cold start @ 240Vac input
10. Switching Frequency: 100 KHz typical

B) PROTECTION

1. Over-Voltage: Protected with a Zener diode clamp across the output
2. Short Circuit: Hiccup with auto recovery
3. Over-load: Hiccup with auto recovery
4. Input Protection: Input line and neutral fusing

C) SAFETY

1. Dielectric Withstand Voltage: 5656Vdc from primary to secondary
2. Earth Leakage Current: N/A for Class II units, there is no PE Ground pin, so Earth Leakage current is not measured
3. Touch Current: Maximum allowed values: 100uA NC(Normal condition) 500uA SFC(single fault condition)

D) OTHER:

1. MTBF: 200,000 Hours @ 25°C ambient temperature
2. Operating Temperature: -10°C to 40°C ambient temperature (RFP RFI-50576)
3. Humidity: 0% to 90% relative humidity
4. Storage Temperature: -10°C to 80°C
5. Cooling: Convection
6. ROHS 2: Complies with EU 2011/65/EU and China SJ/T 11363-2006
7. For EMI suppression 28A026-0A2 Snap-on Ferrites are recommended on both input and output cables, if required.

E) ENCLOSURE

1. Housing: High impact plastic, 94V0 polycarbonate, non-vented
2. Size: 97.23 x 46.23 x 32.0 +/- 1.0 mm
3. Markings: Label and/or Pad Printed and/or Molded in the case
4. Ingress Protection: IP68, Dust Tight, No ingress of dust, complete protection against contact as well as Protected against liquid Immersion beyond 1 m

PROPRIETARY INFORMATION

PROPRIETARY OF GLOBTEK, INC. ANY REPRODUCTION, DISCLOSURE OR USE OF THIS DRAWING, IN WHOLE OR IN PART, IS HEREBY PROHIBITED EXCEPT AS SPECIFIED IN WRITING BY GLOBTEK, INC. © GlobTek, Inc. 2021 - 2023

GlobTek, Inc. www.globtek.com 186 Veterans Drive, Northvale, NJ 07647 Tel. (201) 784-1000 Fax (201) 784-0111	Drawing Title: GTM91120-1507.5-2.5-P2, ICT / ITE / Medical Power Supply, Efficiency Level: V, Case Color/Style: GlobTek Black, Potted/Encapsulated in plastic housing, Regulated Switchmode AC-DC Power Supply AC Adaptor, Input Rating: 100-240V~, 50-60 Hz, N. America NEMA 1-15 Fixed , Output Rating: 15W, 5.0V@3.0A, Output Configuration: 2000 mm, 18/1C + Shield Cond, UL 1185, USB Type-C Connector compliant with Directive (EU) 2022/2380 and 2014/53/EU Radio Equipment Directive (RED), Ferrite: None, GlobTek Black, GT Cord # C61322, Pin Out: +V: A4, A9, B4, B9, GND: A1, A12, B1, B12, CC1: A5, 10K to +V D+:A6, D-:A7, Blades/Input Cord: North American: 2 Conductor Nema 1-15P (non-polarized) Plug, SPT-2, 18/2, L=3600±25mm, Black, UL/CSA, with enclosure strain relief, Approvals: Fuse 60335; Book 60601; CB 60601-1; CB 60950; CB EN/IEC 60335-1; CE; LPS 62368; CE; China RoHS; cRUus (up to 30V); cRUus; EAC; FCC; IEC 60335; IEC/EN60601-1; IEC/EN60950-1; IP68; Level V; LPS 60950; PSE; SIQ; ETL 62368; SIQ; Ukraine; VCCI; WEEE; ETL; CB60335;	
	Model No. GTM91120-1507.5-2.5-P2	
	Part No./Ordering No. PR91A3000USBCIMRVB	Rev A

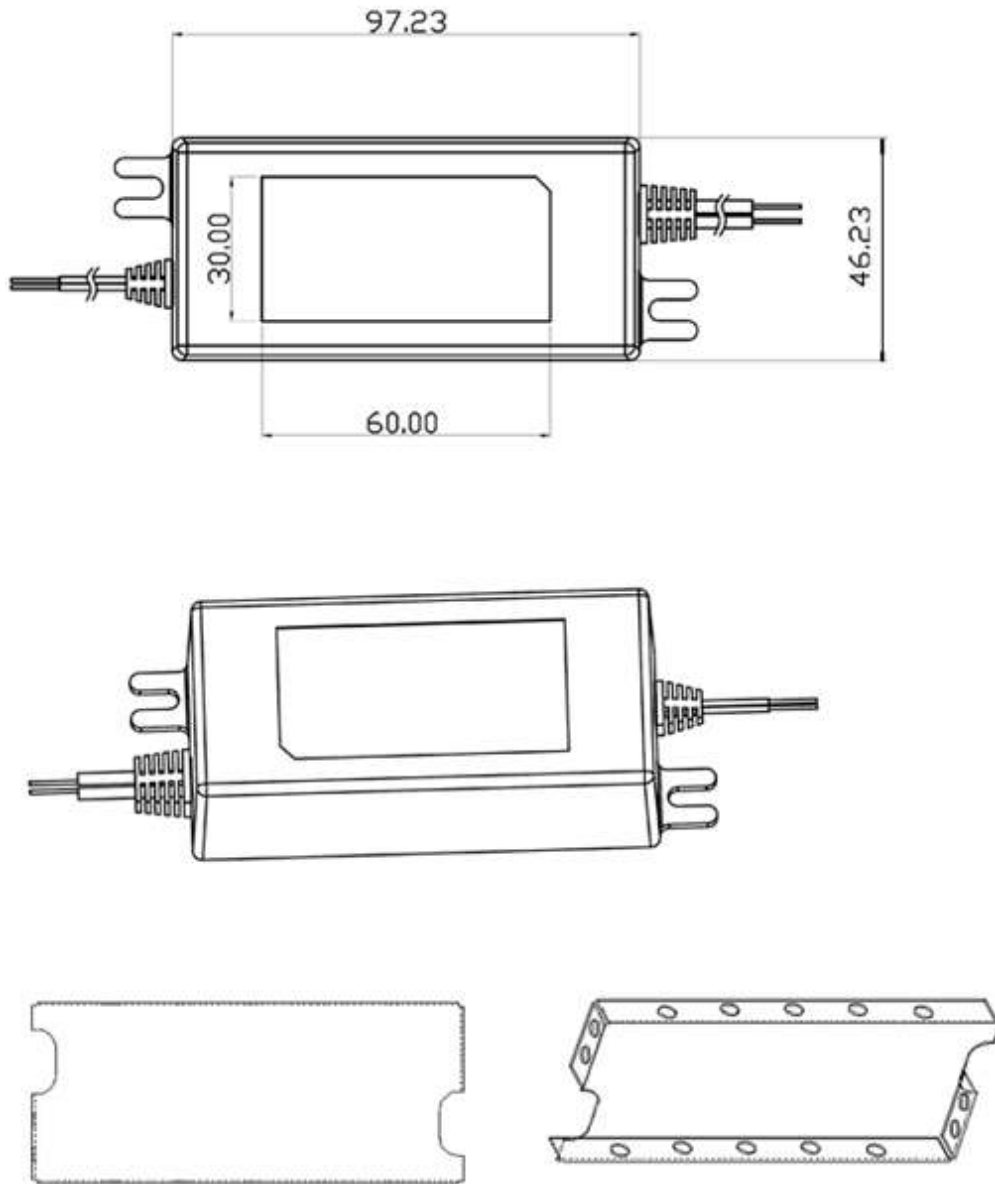
TO ADDRESS SYSTEM-LEVEL EMI CONCERNS, FERRITE CHOKES/BEADS MAY BE ADDED/REVISED UPON REQUEST. A SAMPLE KIT OF GLOBTEK'S STANDARD FERRITES IS AVAILABLE UNDER GLOBTEK P/N: EMI-MITIGATION-KIT1

FOR ADDITIONAL INFORMATION, PLEASE READ OUR WHITE PAPER AT: <https://r.globtek.info/3QeaqtD>

INGRESS PROTECTION: IP68

GlobTek, Inc. www.globtek.com 186 Veterans Drive, Northvale, NJ 07647 Tel. (201) 784-1000 Fax (201) 784-0111	Drawing Title: GTM91120-1507.5-2.5-P2, ICT / ITE / Medical Power Supply, Efficiency Level: V, Case Color/Style: GlobTek Black, Potted/Encapsulated in plastic housing, Regulated Switchmode AC-DC Power Supply AC Adaptor, Input Rating: 100-240V~, 50-60 Hz, N. America NEMA 1-15 Fixed , Output Rating: 15W, 5.0V@3.0A, Output Configuration: 2000 mm, 18/1C + Shield Cond, UL 1185, USB Type-C Connector compliant with Directive (EU) 2022/2380 and 2014/53/EU Radio Equipment Directive (RED), Ferrite: None, GlobTek Black, GT Cord # C61322, Pin Out: +V: A4, A9, B4, B9, GND: A1, A12, B1, B12, CC1: A5, 10K to +V D+:A6, D-:A7, Blades/Input Cord: North American: 2 Conductor Nema 1-15P (non-polarized) Plug, SPT-2, 18/2, L=3600±25mm, Black, UL/CSA, with enclosure strain relief, Approvals: Fuse 60335; Book 60601; CB 60601-1; CB 60950; CB EN/IEC 60335-1; CE; LPS 62368; CE; China RoHS; cRUus (up to 30V); cRUus; EAC; FCC; IEC 60335; IEC/EN60601-1; IEC/EN60950-1; IP68; Level V; LPS 60950; PSE; SIQ; ETL 62368; SIQ; Ukraine; VCCI; WEEE; ETL; CB60335;	
	Model No. GTM91120-1507.5-2.5-P2	
	Part No./Ordering No. PR91A3000USBCIMRVB	Rev A

Mechanical drawing

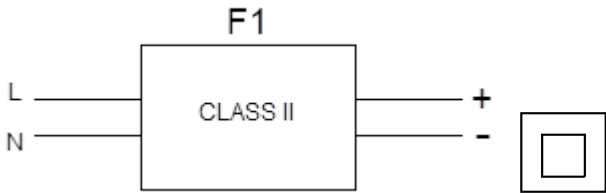


MYLAR CASE COVER INSTALLED

GlobTek, Inc. www.globtek.com 186 Veterans Drive, Northvale, NJ 07647 Tel. (201) 784-1000 Fax (201) 784-0111	Drawing Title: GTM91120-1507.5-2.5-P2, ICT / ITE / Medical Power Supply, Efficiency Level: V, Case Color/Style: GlobTek Black, Potted/Encapsulated in plastic housing, Regulated Switchmode AC-DC Power Supply AC Adaptor, Input Rating: 100-240V~, 50-60 Hz, N. America NEMA 1-15 Fixed , Output Rating: 15W, 5.0V@3.0A, Output Configuration: 2000 mm, 18/1C + Shield Cond, UL 1185, USB Type-C Connector compliant with Directive (EU) 2022/2380 and 2014/53/EU Radio Equipment Directive (RED), Ferrite: None, GlobTek Black, GT Cord # C61322, Pin Out: +V: A4, A9, B4, B9, GND: A1, A12, B1, B12, CC1: A5, 10K to +V D+:A6, D-:A7, Blades/Input Cord: North American: 2 Conductor Nema 1-15P (non-polarized) Plug, SPT-2, 18/2, L=3600±25mm, Black, UL/CSA, with enclosure strain relief, Approvals: Fuse 60335; Book 60601; CB 60601-1; CB 60950; CB EN/IEC 60335-1; CE; LPS 62368; CE; China RoHS; cRUus (up to 30V); cRUus; EAC; FCC; IEC 60335; IEC/EN60601-1; IEC/EN60950-1; IP68; Level V; LPS 60950; PSE; SIQ; ETL 62368; SIQ; Ukraine; VCCI; WEEE; ETL; CB60335;	
	Model No. GTM91120-1507.5-2.5-P2	
	Part No./Ordering No. PR91A3000USBCIMRVB	Rev A

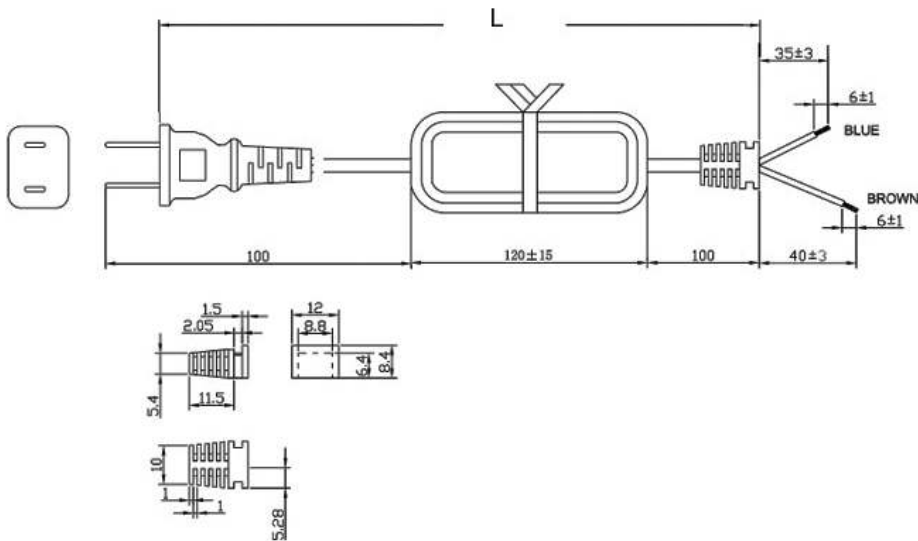
INPUT CONFIGURATION

(F1) Class II / Double Insulated



[Alternate grounding configurations](#) available upon request.

Blades/Cord Included:FC-NA2-3600:North American: 2 Conductor Nema 1-15P (non-polarized) Plug, SPT-2, 18/2, L=3600±25mm, Black, UL/CSA, with enclosure strain relief



North America Blades Class II, (2) Conductors

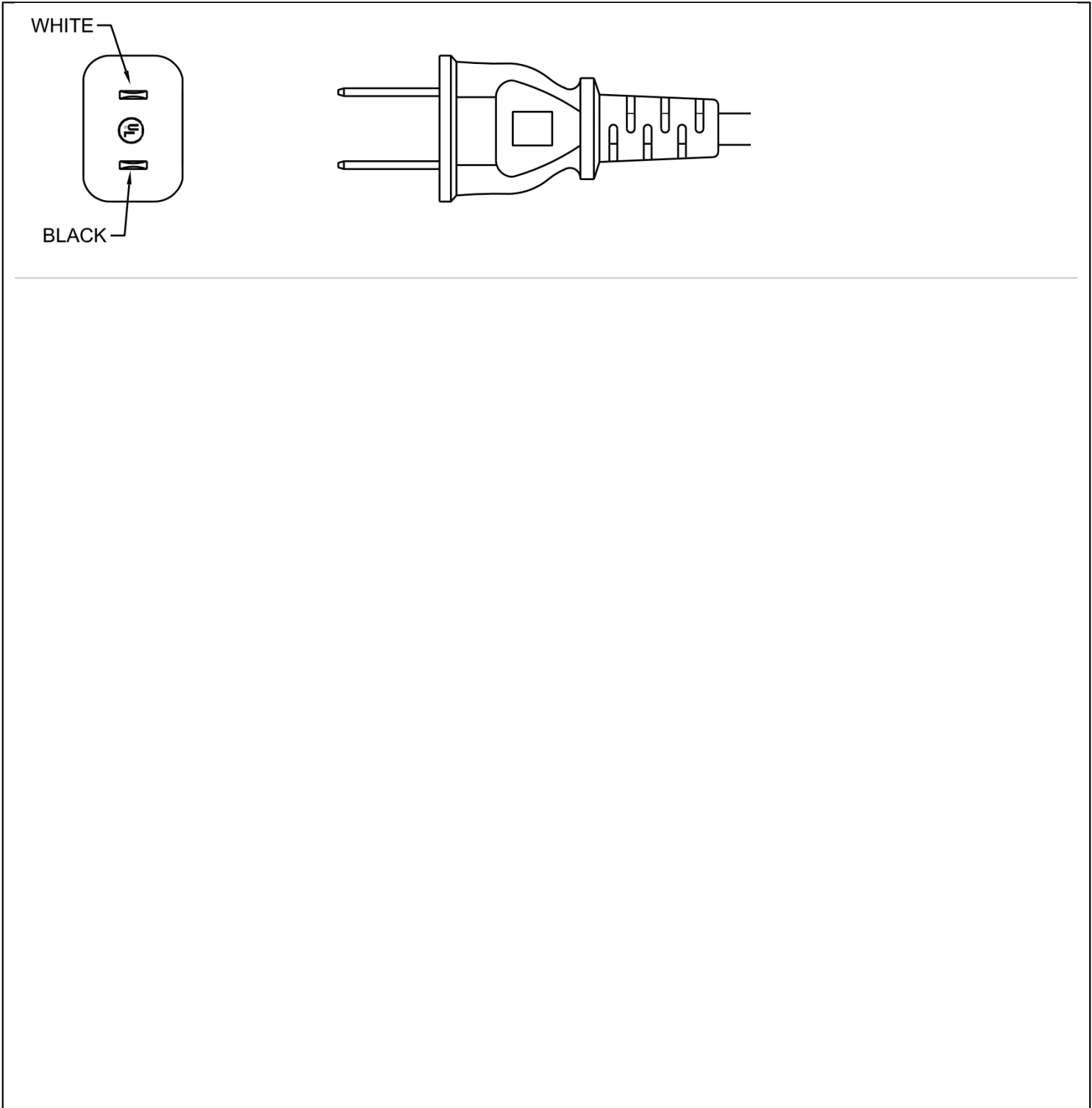
PROPRIETARY INFORMATION

PROPRIETARY OF GLOBTEK, INC. ANY REPRODUCTION, DISCLOSURE OR USE OF THIS DRAWING, IN WHOLE OR IN PART, IS HEREBY PROHIBITED EXCEPT AS SPECIFIED IN

WRITING BY GLOBTEK, INC. © GlobTek, Inc. 2021 - 2023

quest / 07/28/2023 7:38:01 PM GMT CLONED FROM PR91A3000MSB-CIMRVB

<p>GlobTek, Inc. www.globtek.com 186 Veterans Drive, Northvale, NJ 07647 Tel. (201) 784-1000 Fax (201) 784-0111</p>	<p>Drawing Title: GTM91120-1507.5-2.5-P2, ICT / ITE / Medical Power Supply, Efficiency Level: V, Case Color/Style: GlobTek Black, Potted/Encapsulated in plastic housing, Regulated Switchmode AC-DC Power Supply AC Adaptor, Input Rating: 100-240V~, 50-60 Hz, N. America NEMA 1-15 Fixed , Output Rating: 15W, 5.0V@3.0A, Output Configuration: 2000 mm, 18/1C + Shield Cond, UL 1185, USB Type-C Connector compliant with Directive (EU) 2022/2380 and 2014/53/EU Radio Equipment Directive (RED), Ferrite: None, GlobTek Black, GT Cord # C61322, Pin Out: +V: A4, A9, B4, B9, GND: A1, A12, B1, B12, CC1: A5, 10K to +V D+:A6, D-:A7, Blades/Input Cord: North American: 2 Conductor Nema 1-15P (non-polarized) Plug, SPT-2, 18/2, L=3600±25mm, Black, UL/CSA, with enclosure strain relief, Approvals: Fuse 60335; Book 60601; CB 60601-1; CB 60950; CB EN/IEC 60335-1; CE; LPS 62368; CE; China RoHS; cRUus (up to 30V); cRUus; EAC; FCC; IEC 60335; IEC/EN60601-1; IEC/EN60950-1; IP68; Level V; LPS 60950; PSE; SIQ; ETL 62368; SIQ; Ukraine; VCCI; WEEE; ETL; CB60335;</p>	
	<p>Model No. GTM91120-1507.5-2.5-P2</p>	
	<p>Part No./Ordering No. PR91A3000USBCIMRVB</p>	<p>Rev A</p>



GlobTek, Inc. www.globtek.com 186 Veterans Drive, Northvale, NJ 07647 Tel. (201) 784-1000 Fax (201) 784-0111	Drawing Title: GTM91120-1507.5-2.5-P2, ICT / ITE / Medical Power Supply, Efficiency Level: V, Case Color/Style: GlobTek Black, Potted/Encapsulated in plastic housing, Regulated Switchmode AC-DC Power Supply AC Adaptor, Input Rating: 100-240V~, 50-60 Hz, N. America NEMA 1-15 Fixed, Output Rating: 15W, 5.0V@3.0A, Output Configuration: 2000 mm, 18/1C + Shield Cond, UL 1185, USB Type-C Connector compliant with Directive (EU) 2022/2380 and 2014/53/EU Radio Equipment Directive (RED), Ferrite: None, GlobTek Black, GT Cord # C61322, Pin Out: +V: A4, A9, B4, B9, GND: A1, A12, B1, B12, CC1: A5, 10K to +V D+:A6, D-:A7, Blades/Input Cord: North American: 2 Conductor Nema 1-15P (non-polarized) Plug, SPT-2, 18/2, L=3600±25mm, Black, UL/CSA, with enclosure strain relief, Approvals: Fuse 60335; Book 60601; CB 60601-1; CB 60950; CB EN/IEC 60335-1; CE; LPS 62368; CE; China RoHS; cRUus (up to 30V); cRUus; EAC; FCC; IEC 60335; IEC/EN60601-1; IEC/EN60950-1; IP68; Level V; LPS 60950; PSE; SIQ; ETL 62368; SIQ; Ukraine; VCCI; WEEE; ETL; CB60335;	
	Model No. GTM91120-1507.5-2.5-P2	
	Part No./Ordering No. PR91A3000USBCIMRVB	Rev A

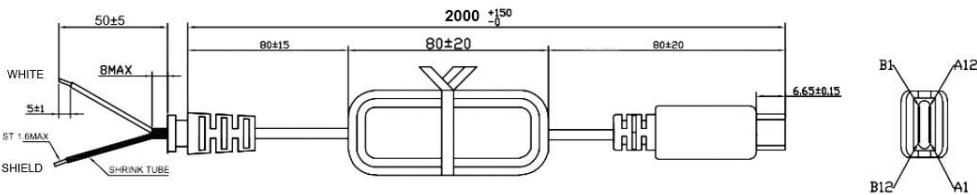
OUTPUT CORD AND CONNECTOR: USBC31/C61322

ACTUAL CONNECTORS, OVERMOLDS, FERRITES MAY VARY SLIGHTLY FROM THE PICTURE BELOW

CABLE TYPE	UL 1185
CABLE LENGTH (mm)	2000
CABLE TOLERANCE (mm)	+150-0
WIRE GAUGE (AWG)	18
CONDUCTORS	1C + Shield
HANK DIMENSION (mm)	80 ± 20
CABLE / CONNECTOR OVERMOLD COLOR	GlobTek Black
FERRITE TYPE AND DIMENSION	None
FERRITE NUMBER OF TURNS (Definition)	N/A
FERRITE DIMENSION FROM STRAIN RELIEF	N/A
FERRITE DIMENSION FROM PLUG	N/A
PLUG TYPE	USB Type-C Connector compliant with Directive (EU) 2022/2380 and 2014/53/EU Radio Equipment Directive (RED)
OUTPUT CONNECTOR GENDER	not applicable
OVERMOLDED	Yes
OVER MOLD ORIENTATION	Straight
CONNECTOR PIN OUT	+V: A4, A9, B4, B9, GND: A1, A12, B1, B12, CC1: A5, 10K to +V D+:A6, D-:A7



Connector Includes 1/8W, 10K ID resistor connected from pin A5 to +V



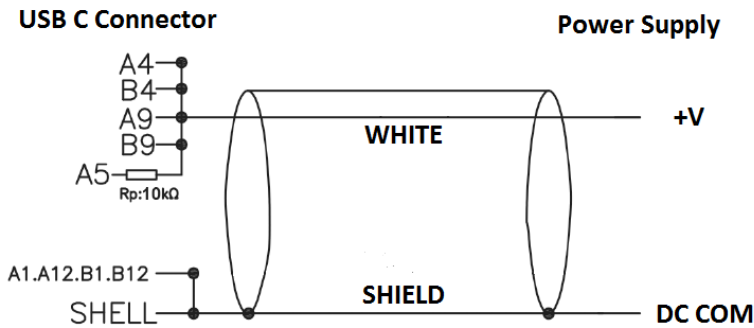
A1,A12,B1,B12+Shell: "-" Shield
A4,A9,B4,B9: "+V" White 并联A5 1/8W 10kΩ 电阻

A2, A3, A8, A10, A11: N/C
B2, B3, B5, B6, B7, B8, B10, B11: N/C
A6, A7: Data signals shorted

PROPRIETARY INFORMATION

PROPRIETARY OF GLOBTEK, INC. ANY REPRODUCTION, DISCLOSURE OR USE OF THIS DRAWING, IN WHOLE OR IN PART, IS HEREBY PROHIBITED EXCEPT AS SPECIFIED IN WRITING BY GLOBTEK, INC. © GlobTek, Inc. 2021 - 2023

<p>GlobTek, Inc. www.globtek.com 186 Veterans Drive, Northvale, NJ 07647 Tel. (201) 784-1000 Fax (201) 784-0111</p>	<p>Drawing Title: GTM91120-1507.5-2.5-P2, ICT / ITE / Medical Power Supply, Efficiency Level: V, Case Color/Style: GlobTek Black, Potted/Encapsulated in plastic housing, Regulated Switchmode AC-DC Power Supply AC Adaptor, Input Rating: 100-240V~, 50-60 Hz, N. America NEMA 1-15 Fixed , Output Rating: 15W, 5.0V@3.0A, Output Configuration: 2000 mm, 18/1C + Shield Cond, UL 1185, USB Type-C Connector compliant with Directive (EU) 2022/2380 and 2014/53/EU Radio Equipment Directive (RED), Ferrite: None, GlobTek Black, GT Cord # C61322, Pin Out: +V: A4, A9, B4, B9, GND: A1, A12, B1, B12, CC1: A5, 10K to +V D+:A6, D-:A7, Blades/Input Cord: North American: 2 Conductor Nema 1-15P (non-polarized) Plug, SPT-2, 18/2, L=3600±25mm, Black, UL/CSA, with enclosure strain relief, Approvals: Fuse 60335; Book 60601; CB 60601-1; CB 60950; CB EN/IEC 60335-1; CE; LPS 62368; CE; China RoHS; cRUus (up to 30V); cRUus; EAC; FCC; IEC 60335; IEC/EN60601-1; IEC/EN60950-1; IP68; Level V; LPS 60950; PSE; SIQ; ETL 62368; SIQ; Ukraine; VCCI; WEEE; ETL; CB60335;</p>	
	<p>Model No. GTM91120-1507.5-2.5-P2</p>	
	<p>Part No./Ordering No. PR91A3000USBCIMRVB</p>	<p>Rev A</p>



ADDITIONAL OUTPUT PLUG OPTIONS ARE AVAILABLE AT <https://www.globtek.com/connectors/>
STANDARD PLUGS AND CONNECTORS CAN BE SEEN ONLINE AT <https://www.globtek.com/connectors/>
CALCULATE VOLTAGE REGULATION/DROP WITH OUR ONLINE CALCULATOR: <https://en.globtek.com/output-cable-regulation-calculator/>

GlobTek, Inc. www.globtek.com 186 Veterans Drive, Northvale, NJ 07647 Tel. (201) 784-1000 Fax (201) 784-0111	Drawing Title: GTM91120-1507.5-2.5-P2, ICT / ITE / Medical Power Supply, Efficiency Level: V, Case Color/Style: GlobTek Black, Potted/Encapsulated in plastic housing, Regulated Switchmode AC-DC Power Supply AC Adaptor, Input Rating: 100-240V~, 50-60 Hz, N. America NEMA 1-15 Fixed , Output Rating: 15W, 5.0V@3.0A, Output Configuration: 2000 mm, 18/1C + Shield Cond, UL 1185, USB Type-C Connector compliant with Directive (EU) 2022/2380 and 2014/53/EU Radio Equipment Directive (RED), Ferrite: None, GlobTek Black, GT Cord # C61322, Pin Out: +V: A4, A9, B4, B9, GND: A1, A12, B1, B12, CC1: A5, 10K to +V D+:A6, D-:A7, Blades/Input Cord: North American: 2 Conductor Nema 1-15P (non-polarized) Plug, SPT-2, 18/2, L=3600±25mm, Black, UL/CSA, with enclosure strain relief, Approvals: Fuse 60335; Book 60601; CB 60601-1; CB 60950; CB EN/IEC 60335-1; CE; LPS 62368; CE; China RoHS; cRUus (up to 30V); cRUus; EAC; FCC; IEC 60335; IEC/EN60601-1; IEC/EN60950-1; IP68; Level V; LPS 60950; PSE; SIQ; ETL 62368; SIQ; Ukraine; VCCI; WEEE; ETL; CB60335;	
	Model No. GTM91120-1507.5-2.5-P2	
	Part No./Ordering No. PR91A3000USBCIMRVB	Rev A

OUTPUT CONNECTOR HOOK UP

TO ADDRESS SYSTEM-LEVEL EMI CONCERNS, FERRITE CHOKES/BEADS MAY BE ADDED/REVISED UPON REQUEST. A SAMPLE KIT OF GLOBTEK'S STANDARD FERRITES IS AVAILABLE UNDER GLOBTEK P/N: EMI-MITIGATION-KIT1

FOR ADDITIONAL INFORMATION, PLEASE READ OUR WHITE PAPER AT:

<https://en.globtek.com/technical-articles/ferrite-kit-radiated-emi-suppression-kit-for-globtek-power-supplies-cable-assemblies>

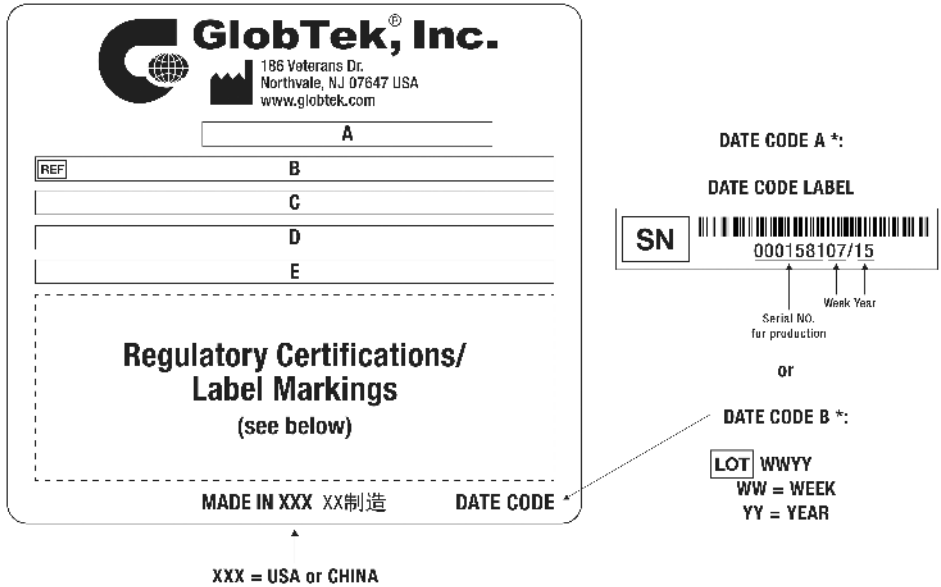
GlobTek, Inc. www.globtek.com 186 Veterans Drive, Northvale, NJ 07647 Tel. (201) 784-1000 Fax (201) 784-0111	Drawing Title: GTM91120-1507.5-2.5-P2, ICT / ITE / Medical Power Supply, Efficiency Level: V, Case Color/Style: GlobTek Black, Potted/Encapsulated in plastic housing, Regulated Switchmode AC-DC Power Supply AC Adaptor, Input Rating: 100-240V~, 50-60 Hz, N. America NEMA 1-15 Fixed, Output Rating: 15W, 5.0V@3.0A, Output Configuration: 2000 mm, 18/1C + Shield Cond, UL 1185, USB Type-C Connector compliant with Directive (EU) 2022/2380 and 2014/53/EU Radio Equipment Directive (RED), Ferrite: None, GlobTek Black, GT Cord # C61322, Pin Out: +V: A4, A9, B4, B9, GND: A1, A12, B1, B12, CC1: A5, 10K to +V D+:A6, D-:A7, Blades/Input Cord: North American: 2 Conductor Nema 1-15P (non-polarized) Plug, SPT-2, 18/2, L=3600±25mm, Black, UL/CSA, with enclosure strain relief, Approvals: Fuse 60335; Book 60601; CB 60601-1; CB 60950; CB EN/IEC 60335-1; CE; LPS 62368; CE; China RoHS; cRUus (up to 30V); cRUus; EAC; FCC; IEC 60335; IEC/EN60601-1; IEC/EN60950-1; IP68; Level V; LPS 60950; PSE; SIQ; ETL 62368; SIQ; Ukraine; VCCI; WEEE; ETL; CB60335;
	Model No. GTM91120-1507.5-2.5-P2
	Part No./Ordering No. PR91A3000USBCIMRVB Rev A

LABEL:L-1470

LABEL P/N	ISO 15223 medical device compliant label
MATERIAL	Flat Thermal Transfer, Imprintable, Polyester Label and/or Pad Printed and/or Molded, and/or Laser Engraved in the case
BACKGROUND COLOR	Black if housing is Black, White or Silver if housing is White or Gray.
TEXT COLOR	White or Silver if label is Black Background for Black housing. Black if label is White or Silver background and Housing is White or Gray.
LABEL WIDTH (mm)	59.5
LABEL HEIGHT (mm)	29.5
SPECIAL BARCODE LABEL MATERIAL	No

Below is the minimum information which will appear on the label. NOTE: in the logo area additional/actual positioning of symbols and text is subjected to change as per agency updates/requirements or additional model approvals become available.

Agency logos may be in Regulatory Certifications/Label Markings area on the label or molded into the case housing outside the label area. Information will be shown via Label and/or Pad Printed and/or Molded in the case.



- A=ICT / ITE / Medical Power Supply
- B=P/N: (料号) PR91A3000USBCIMRVB
- C=Model (型号) GTM91120-1507.5-2.5-P2
- D=Input (输入)100-240V~, 50-60 Hz, 1.5A
- E=Output (输出)5.0 V 3.0 A, 15.00W

GlobTek, Inc. www.globtek.com 186 Veterans Drive, Northvale, NJ 07647 Tel. (201) 784-1000 Fax (201) 784-0111	Drawing Title: GTM91120-1507.5-2.5-P2, ICT / ITE / Medical Power Supply, Efficiency Level: V, Case Color/Style: GlobTek Black, Potted/Encapsulated in plastic housing, Regulated Switchmode AC-DC Power Supply AC Adaptor, Input Rating: 100-240V~, 50-60 Hz, N. America NEMA 1-15 Fixed, Output Rating: 15W, 5.0V@3.0A, Output Configuration: 2000 mm, 18/1C + Shield Cond, UL 1185, USB Type-C Connector compliant with Directive (EU) 2022/2380 and 2014/53/EU Radio Equipment Directive (RED), Ferrite: None, GlobTek Black, GT Cord # C61322, Pin Out: +V: A4, A9, B4, B9, GND: A1, A12, B1, B12, CC1: A5, 10K to +V D+:A6, D-:A7, Blades/Input Cord: North American: 2 Conductor Nema 1-15P (non-polarized) Plug, SPT-2, 18/2, L=3600±25mm, Black, UL/CSA, with enclosure strain relief, Approvals: Fuse 60335; Book 60601; CB 60601-1; CB 60950; CB EN/IEC 60335-1; CE; LPS 62368; CE; China RoHS; cRUus (up to 30V); cRUus; EAC; FCC; IEC 60335; IEC/EN60601-1; IEC/EN60950-1; IP68; Level V; LPS 60950; PSE; SIQ; ETL 62368; SIQ; Ukraine; VCCI; WEEE; ETL; CB60335;	
	Model No. GTM91120-1507.5-2.5-P2	
	Part No./Ordering No. PR91A3000USBCIMRVB	Rev A

AGENCY ONLINE DOCUMENTS	http://www.globtek.info/certs/GTM91120-P2%20-P3/
CE EC-Declaration for Medical	http://globtek.force.com/models/ec_declaration_product?id=01t3a000005JI5R&m=1
CE EC-Declaration for Industrial/Commercial/ITE	http://globtek.force.com/models/ec_declaration_product?id=01t3a000005JI5R&i=3
CE EC-Declaration for Household	Contact GlobTek for more information
UKCA-Declaration for Medical	http://globtek.force.com/models/ukca_declaration_product?id=01t3a000005JI5R&m=1
UKCA-Declaration for Industrial/Commercial/ITE	http://globtek.force.com/models/ukca_declaration_product?id=01t3a000005JI5R&i=3
UKCA-Declaration for Household	Contact GlobTek for more information
Morocco SDoC Declaration	https://globtek.secure.force.com/models/Morocco_SDoC_Declaration?id=a0Oa000000JBhJEAX
RoHS/RoHS3 Declaration	https://www.globtek.com/pdf/rohs_cert/01t3a000005JI5RAAS
REACH Declaration	https://www.globtek.com/pdf/iso_certificates/REACH.pdf
Conflict Minerals Declaration	https://www.globtek.com/pdf/conflict-minerals.pdf
Prop 65 Statement	https://en.globtek.com/prop-65-statement.pdf
IPXY rating is based on 3rd party testing and customers should check suitability and test system level IPXY rating before ordering.	

Regulatory Certifications/Label Markings

Below follows a link to the latest regulatory certifications and marks for this specific product. National standards as well as certification schemes are constantly changing and so is the set of certification marks and symbols applicable to this product. Various standards, marks and symbols, and certificates are subject to change at any time without notice.

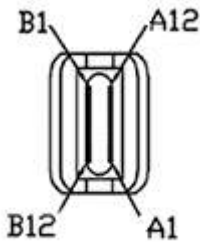
Additional standards or unique country certifications are available upon request. Please contact Globtek to request a quotation.

LATEST PRODUCT/MODEL CERTIFICATIONS: <https://www.globtek.com/datasheet/w70908>

AGENCY ONLINE DOCUMENTS <http://www.globtek.info/certs/GTM91120-P2%20-P3/>



(F1) Class II / Double Insulated



+V: A4, A9, B4, B9,
 GND: A1, A12, B1, B12,
 CC1: A5, 10K to +V
 D+:A6,
 D-:A7

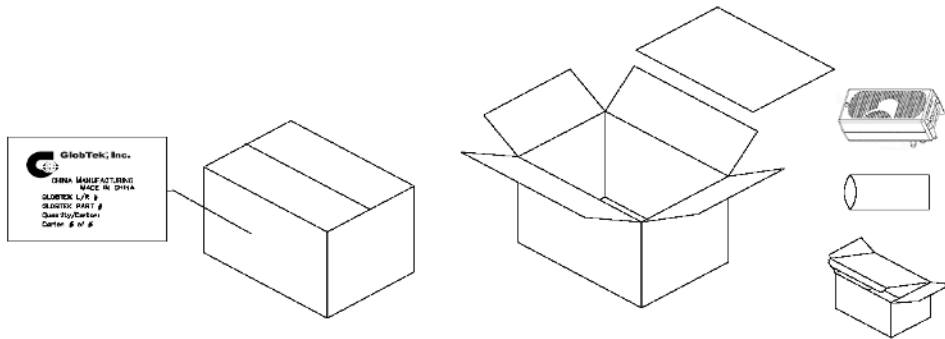
GlobTek, Inc. www.globtek.com 186 Veterans Drive, Northvale, NJ 07647 Tel. (201) 784-1000 Fax (201) 784-0111	Drawing Title: GTM91120-1507.5-2.5-P2, ICT / ITE / Medical Power Supply, Efficiency Level: V, Case Color/Style: GlobTek Black, Potted/Encapsulated in plastic housing, Regulated Switchmode AC-DC Power Supply AC Adaptor, Input Rating: 100-240V~, 50-60 Hz, N. America NEMA 1-15 Fixed , Output Rating: 15W, 5.0V@3.0A, Output Configuration: 2000 mm, 18/1C + Shield Cond, UL 1185, USB Type-C Connector compliant with Directive (EU) 2022/2380 and 2014/53/EU Radio Equipment Directive (RED), Ferrite: None, GlobTek Black, GT Cord # C61322, Pin Out: +V: A4, A9, B4, B9, GND: A1, A12, B1, B12, CC1: A5, 10K to +V D+:A6, D-:A7, Blades/Input Cord: North American: 2 Conductor Nema 1-15P (non-polarized) Plug, SPT-2, 18/2, L=3600±25mm, Black, UL/CSA, with enclosure strain relief, Approvals: Fuse 60335; Book 60601; CB 60601-1; CB 60950; CB EN/IEC 60335-1; CE; LPS 62368; CE; China RoHS; cRUus (up to 30V); cRUus; EAC; FCC; IEC 60335; IEC/EN60601-1; IEC/EN60950-1; IP68; Level V; LPS 60950; PSE; SIQ; ETL 62368; SIQ; Ukraine; VCCI; WEEE; ETL; CB60335;	
	Model No. GTM91120-1507.5-2.5-P2	
	Part No./Ordering No. PR91A3000USBCIMRVB	Rev A

PACKAGING

Packing Spec P/N	Standard GTM91120, Individually Box
Box Qty	20
Gift Box Size (mm)	145*130*65
Gift Box Color	White
Master Carton Size (mm)	340 x 305 x 295
Master Carton Cubic Volume (m³)	0.03
Master GW (Kg)	9.9 kg
BLADES INCLUDED	FC-NA2-3600: North American: 2 Conductor Nema 1-15P (non-polarized) Plug, SPT-2, 18/2, L=3600±25mm, Black, UL/CSA, with enclosure strain relief
BLADE/CORD INSTALLED	:
USER MANUAL*	
USER MANUAL WEB LINK	

* This specification sheet is considered the user manual for all applications. It is expected that the buyer of this product will use it to formulate their own user manual for their end product and a user manual specifically for the power adapter is not usually required. If a user manual is not specifically listed above then none will be provided with this unit.

If specific packaging is required, this section must specify all requirements and note "no exceptions". If this section does not specify packaging, it is subject to change without notice at GlobTek's discretion



PROPRIETARY INFORMATION

GlobTek, Inc. www.globtek.com 186 Veterans Drive, Northvale, NJ 07647 Tel. (201) 784-1000 Fax (201) 784-0111	Drawing Title: GTM91120-1507.5-2.5-P2, ICT / ITE / Medical Power Supply, Efficiency Level: V, Case Color/Style: GlobTek Black, Potted/Encapsulated in plastic housing, Regulated Switchmode AC-DC Power Supply AC Adaptor, Input Rating: 100-240V~, 50-60 Hz, N. America NEMA 1-15 Fixed , Output Rating: 15W, 5.0V@3.0A, Output Configuration: 2000 mm, 18/1C + Shield Cond, UL 1185, USB Type-C Connector compliant with Directive (EU) 2022/2380 and 2014/53/EU Radio Equipment Directive (RED), Ferrite: None, GlobTek Black, GT Cord # C61322, Pin Out: +V: A4, A9, B4, B9, GND: A1, A12, B1, B12, CC1: A5, 10K to +V D+:A6, D-:A7, Blades/Input Cord: North American: 2 Conductor Nema 1-15P (non-polarized) Plug, SPT-2, 18/2, L=3600±25mm, Black, UL/CSA, with enclosure strain relief, Approvals: Fuse 60335; Book 60601; CB 60601-1; CB 60950; CB EN/IEC 60335-1; CE; LPS 62368; CE; China RoHS; cRUus (up to 30V); cRUus; EAC; FCC; IEC 60335; IEC/EN60601-1; IEC/EN60950-1; IP68; Level V; LPS 60950; PSE; SIQ; ETL 62368; SIQ; Ukraine; VCCI; WEEE; ETL; CB60335;	
	Model No. GTM91120-1507.5-2.5-P2	
	Part No./Ordering No. PR91A3000USBCIMRVB	Rev A

INSTRUCTIONS TO THE OEM SYSTEMS ENGINEER

It is the responsibility of the OEM systems engineer to provide the end system user instructions and warnings for the use of this product in the end system.

If an input cord is required for this product, AC Mains voltage should be provided to the power supply by a power supply cord approved to the national standards of the country in which it will be used.

This product is not designed to be repaired. No serviceable parts inside. A blown internal fuse is an indication of catastrophic failure of circuit component(s). If a Failure Analysis is required for a failed power supply/battery charger, please return the damaged unit to GlobTek for an accurate determination of the root cause of the failure.

EMC Compliance of the complete OEM product, including the GlobTek power supply/battery charger needs to be verified by the OEM systems engineer.

INSTRUCTION SHEET

<p>GlobTek, Inc. www.globtek.com 186 Veterans Drive, Northvale, NJ 07647 Tel. (201) 784-1000 Fax (201) 784-0111</p>	<p>Drawing Title: GTM91120-1507.5-2.5-P2, ICT / ITE / Medical Power Supply, Efficiency Level: V, Case Color/Style: GlobTek Black, Potted/Encapsulated in plastic housing, Regulated Switchmode AC-DC Power Supply AC Adaptor, Input Rating: 100-240V~, 50-60 Hz, N. America NEMA 1-15 Fixed , Output Rating: 15W, 5.0V@3.0A, Output Configuration: 2000 mm, 18/1C + Shield Cond, UL 1185, USB Type-C Connector compliant with Directive (EU) 2022/2380 and 2014/53/EU Radio Equipment Directive (RED), Ferrite: None, GlobTek Black, GT Cord # C61322, Pin Out: +V: A4, A9, B4, B9, GND: A1, A12, B1, B12, CC1: A5, 10K to +V D+:A6, D-:A7, Blades/Input Cord: North American: 2 Conductor Nema 1-15P (non-polarized) Plug, SPT-2, 18/2, L=3600±25mm, Black, UL/CSA, with enclosure strain relief, Approvals: Fuse 60335; Book 60601; CB 60601-1; CB 60950; CB EN/IEC 60335-1; CE; LPS 62368; CE; China RoHS; cRUus (up to 30V); cRUus; EAC; FCC; IEC 60335; IEC/EN60601-1; IEC/EN60950-1; IP68; Level V; LPS 60950; PSE; SIQ; ETL 62368; SIQ; Ukraine; VCCI; WEEE; ETL; CB60335;</p>	
	<p>Model No. GTM91120-1507.5-2.5-P2</p>	
	<p>Part No./Ordering No. PR91A3000USBCIMRVB</p>	<p>Rev A</p>

