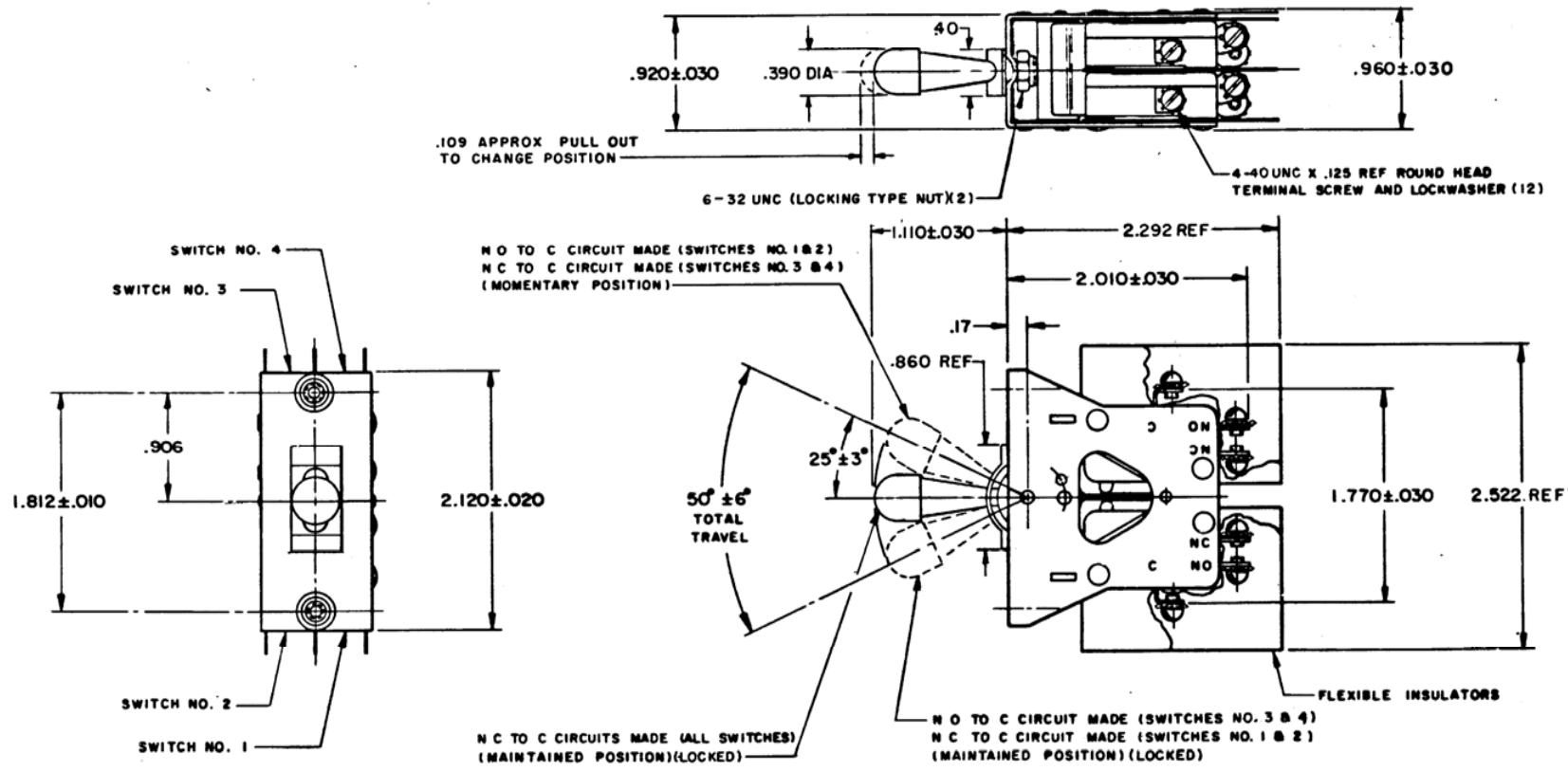


**MICRO SWITCH**A DIVISION OF MINNEAPOLIS-HONEYWELL REGULATORS DIVISION  
MINNEAPOLIS, MINN. U.S.A.  
FED. MFR. CODE 91929**ASSEMBLY-  
TOGGLE SWITCH**CATALOG LISTING  
**115 AT 2**

M

REPLACES  
RELEASE NO. PR-5681  
CHECK  
IONS  
5681  
R W  
R 76  
4181  
M N 94  
CHECK  
4 MARCH 76  
C E B  
CHECK  
3 MARCH 76  
K S W

THIS DRAWING COVERS A PROPRIETARY ITEM AND IS THE PROPERTY OF MICRO SWITCH, A DIVISION OF MINNEAPOLIS-HONEYWELL REGULATOR CO. THIS DRAWING IS NOT TO BE COPIED OR USED WITHOUT THE APPROVAL OF MICRO SWITCH.

CHARACTERISTICS	ELECTRICAL DATA	SCALE FULL
	CONTACT ARRANGEMENT S P D T (4)	DO NOT SCALE PRINT
	15 A - 1/3 HP - 125 OR 250 VAC 1/2 A - 125 VDC; 1/4 A - 250 VDC	UNLESS OTHERWISE SPECIFIED DIMENSIONS ARE IN INCHES <b>TOLERANCES ARE:</b> ONE PLACE (.05) 2.000 TWO PLACE (.003) 2.000 THREE PLACE (.000) 2.000 ANGLES 2
		WEIGHT

NOTE:  
 1 - UNIT INCLUDES CAT. LIST. V3-201 (4) BASIC SWITCH  
 2 - SWITCHES DO NOT NECESSARILY OPERATE SIMULTANEOUSLY