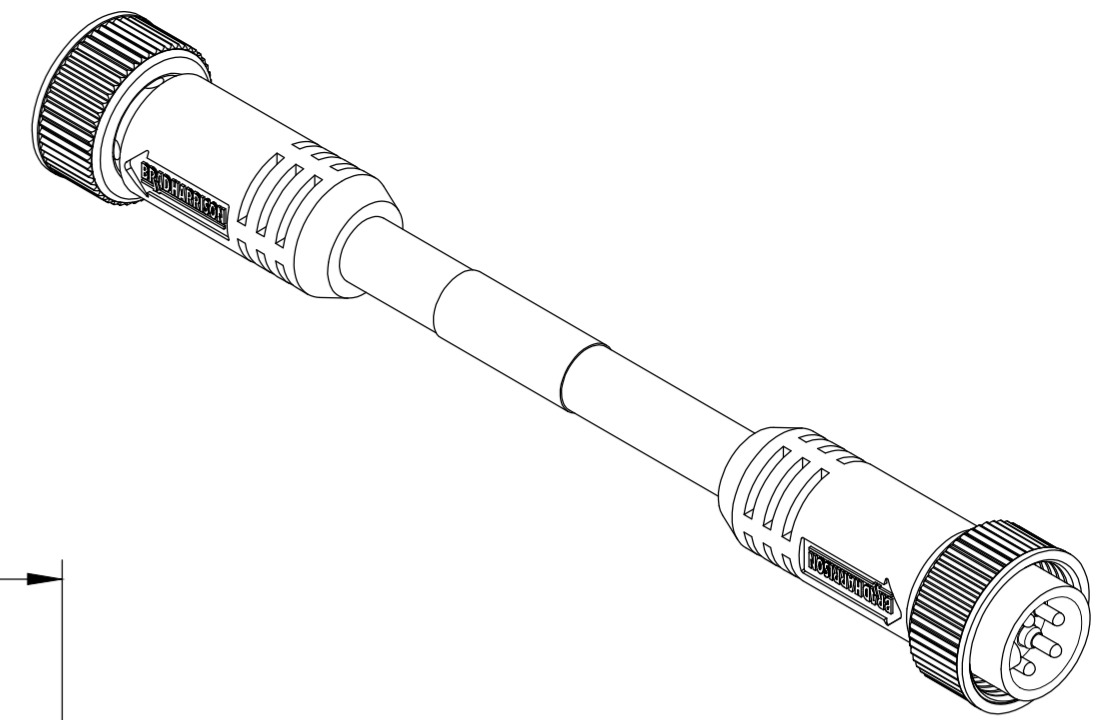


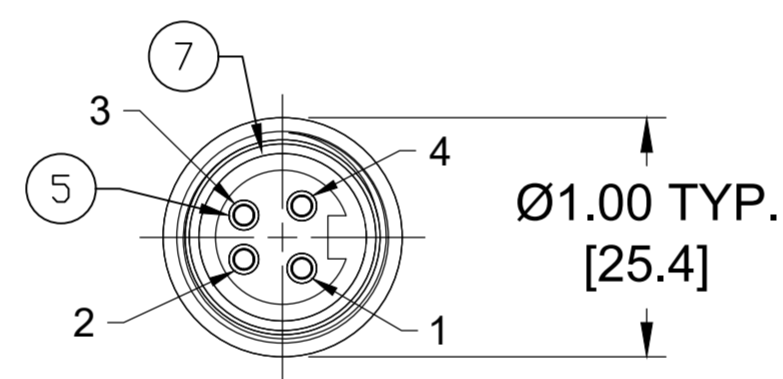
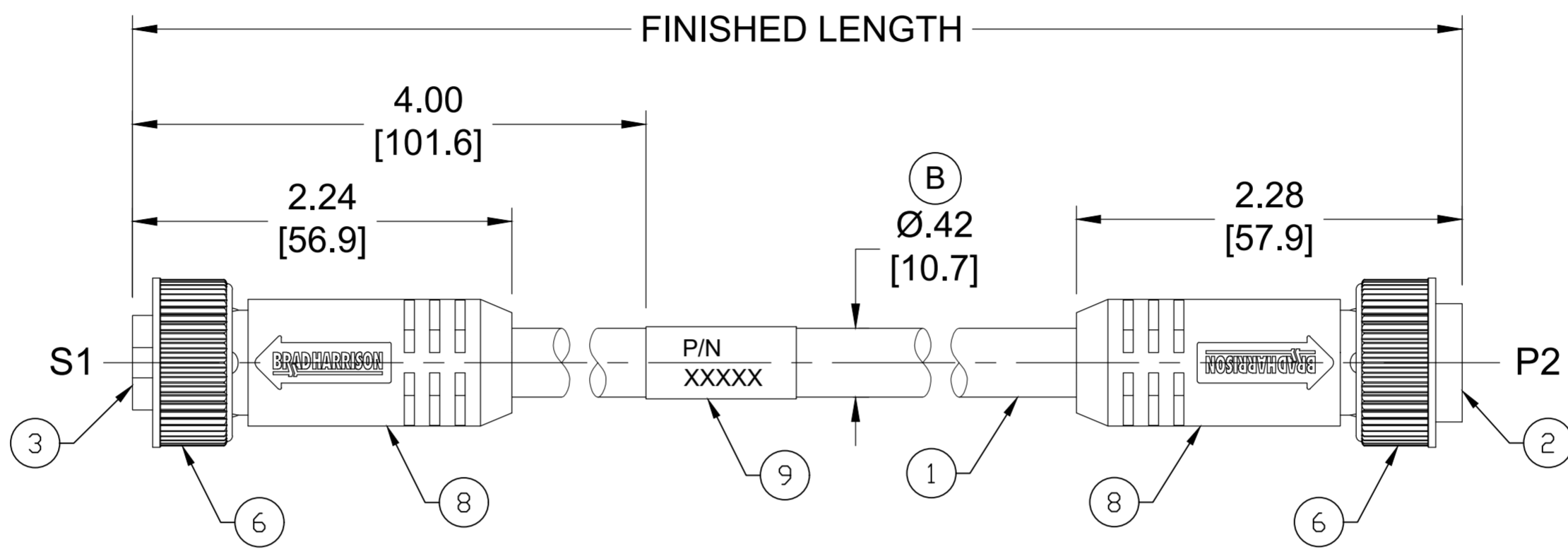
PART NO	ENGINEERING NO.	FINISHED LENGTH
1300100519	114020A01F030	3FT [0.9M]
1300100525	114020A01F060	6FT [1M 32 IN]
1300100533	114020A01F120	12FT [3M 26 IN]
1300100541	114020A01F200	20FT [6M 4 IN]

**(B) PART NUMBER LEGEND**  
114020A01F030

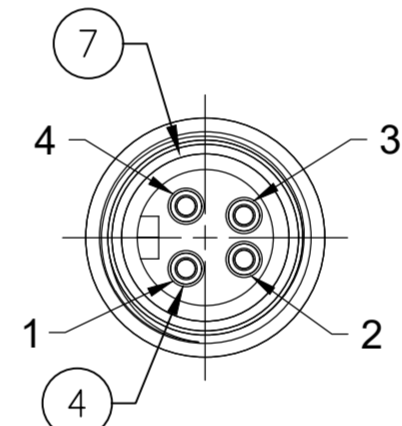
FINISHED LENGTH  
F010 = 1 FEET  
F100 = 10 FEET  
F300 = 30 FEET



- NOTES:**
- MATERIAL: AS NOTED
  - FINISH: AS NOTED
  - ELECTRICAL:  
VOLTAGE: 483V PER IEC60664  
600V PER UL2238  
CURRENT: 10A
  - TEMP RATING: -20° TO +105°C
  - PROTECTION: IP67 (WHEN MATED)
  - COUPLING THREAD: 7/8"-16UN
  - UL RECOGNIZED FILE: E152210  
CSA CERTIFIED FILE: LR6837
  - ALL DIMENSIONS ARE FOR REFERENCE  
UNLESS TOLERANCED OR NOTED OTHERWISE



FEMALE FACE VIEW



MALE FACE VIEW

ITEM	COMPONENT	MATERIAL	FINISH
9	WRAP LABEL	VINYL	BLACK/YELLOW
8	OVERMOLD	TPE	YELLOW
7	FRICITION RING	NYLON	WHITE
6	COUPLING NUT	ZINC DIE CAST	BLACK-E-COAT
5	CONTACT SOCKET	BRASS	GOLD OVER NICKEL
4	CONTACT PIN	BRASS	GOLD OVER NICKEL
3	FEMALE INSERT	TPE	YELLOW
2	MALE INSERT	TPE	YELLOW
1	CABLE #16 AWG, STOOW/ST	PVC JACKET	YELLOW

S1		P2
1	BLACK	1
2	WHITE	2
3	RED	3
4	GREEN/YELLOW - GND	4

WIRING DIAGRAM

**(B) CABLE LENGTH TOLERANCES**

<.3M [1FT]:	+19mm-0 [+ .75in-0]
.3 - .9M [1 - 3FT]:	+44.5mm-0 [+1.75in-0]
.9 - 1.8M [3 - 6FT]:	+55.6mm-0 [+2.19in-0]
1.8 - 3.7M [6 - 12FT]:	+88.9mm-0 [+3.50in-0]
3.7 - 7.3M [12 - 24FT]:	+165.1mm-0 [+6.50in-0]
7.3-14.6M [24 - 48FT]:	+317.5mm-0 [+12.50in-0]
14.6 - 30.5M [48-100FT]:	+622.3mm-0 [+24.50in-0]
OVER 30M [100FT]	+2% OF FINISHED LENGTH

FUNCTIONAL SYMBOLS FA=0 FC=0 FP=0	THIS DRAWING CONTAINS INFORMATION THAT IS PROPRIETARY TO MOLEX ELECTRONIC TECHNOLOGIES, LLC AND SHOULD NOT BE USED WITHOUT WRITTEN PERMISSION	CURRENT REV DESC: ITEM# 2, 3 & 8 WERE PVC. ITEM # 9 WAS MYLAR. SOCKET & SLEEVE AS ITEM #5. ADDED UL, CSA, CABLE DIA, IEC VOLTAGE, PN LEGEND & TOL CHART. MODIFIED PN CHART	
	DIMENSION UNITS <b>INCH/MM</b>	SCALE <b>NTS</b>	EC NO: 698916
DIVISIONAL SYMBOLS	GENERAL TOLERANCES (UNLESS SPECIFIED)	DRWN: ABENJAMINLW	2021/05/24
	4 PLACES ±--- ±---	3 PLACES ±--- ±---	CHK'D: RSTONE
	2 PLACES ±--- ±---	1 PLACE ±--- ±---	APPR: BWOODMAN
	0 PLACES ±--- ±---	INITIAL REVISION:	2022/03/11
	ANGULAR TOL ± --- °	DRWN: LHARTMAN	2009/08/10
	DRAFT WHERE APPLICABLE MUST REMAIN WITHIN DIMENSIONS	APPR: JFMURPHY	2009/08/14
	THIRD ANGLE PROJECTION	DRAWING	SERIES
		C-SIZE	130010
		MATERIAL NUMBER	CUSTOMER
		SEE CHART	GENERAL MARKET
		DOCUMENT NUMBER	DOC TYPE/DOC PART/REVISION
		SD-130010-005	PSD 001 B
		SHEET NUMBER	1 OF 1