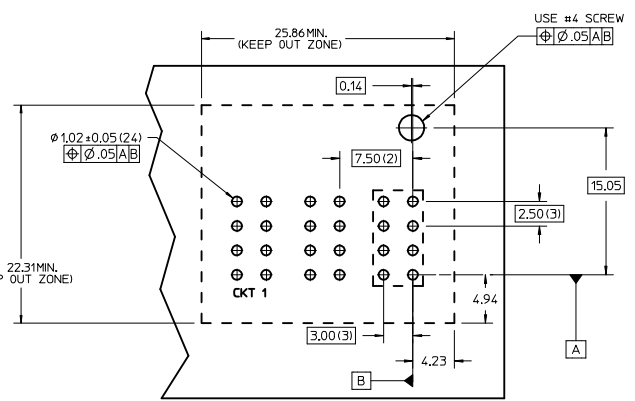
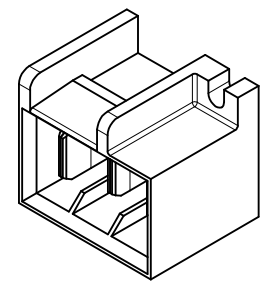
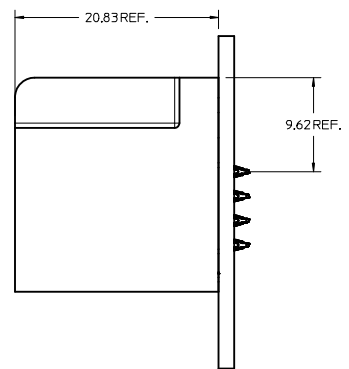
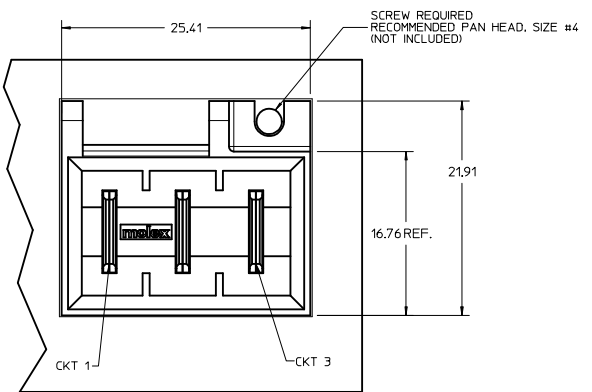
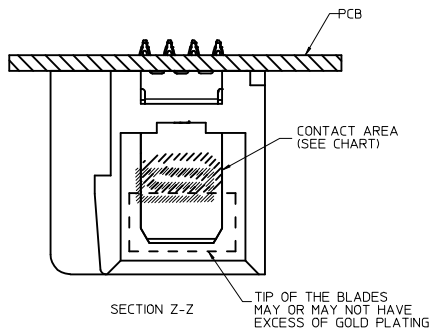
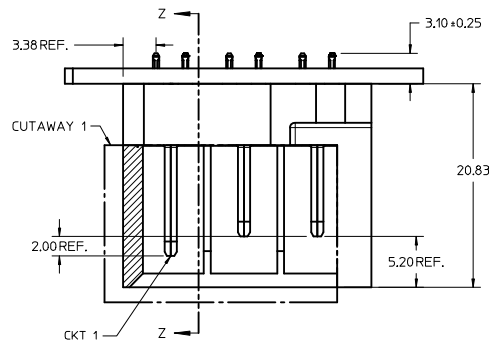


ITEM	MOLEX P/N:	DESCRIPTION	PLATING SPEC:
1	76546-0004	3-CKT CONNECTOR TIN PLATING (CONTACT AREA)	0.00254 MATTE TIN OVERALL, OVER 0.00127 NICKEL.
2	76546-0005	3-CKT CONNECTOR GOLD PLATING (CONTACT AREA ONLY)	0.000127 NICKEL OVERALL WITH 0.00254 MATTE TIN ON TAILS AND 0.000762 SELECTIVE GOLD ON CONTACT AREA.

- NOTES:
- MATERIAL:
 - HOUSINGS: PBT 30% UL-94, V-0: COLOR BLACK
 - TERMINALS: COPPER ALLOY
 - PLATING: SEE CHART
 - PACKAGING: ASSEMBLIES TO BE TRAY PACKED PER PACKAGING SPEC PK-76546-xxx
 - PRODUCT SPEC: PS-46436-100
 - APPLICATION SPEC: AS-46436-100
 - PRODUCT TO MEET RoHS REQUIREMENTS
 - ASSEMBLY MATES TO MOLEX RECEPTACLE HARNESS ASSEMBLY, P/N 46586-1003
 - MATES TO 46586-0003

RECOMMENDED PCB LAYOUT AND KEEP OUT ZONE

REN P/N'S 76546-0006 & 0007 IEC NO: UCP2014-0600 DRAWN: OULLES 2013/08/08 CHKD: PISZCZOR 2013/08/08 APPROV: APATEL 2013/09/05	QUALITY SYMBOLS ∇=0 ∇=0 ∇=0	GENERAL TOLERANCES (UNLESS SPECIFIED)		DIMENSION STYLE MM ONLY		SCALE 4:1	DESIGN UNITS METRIC	THIRD ANGLE PROJECTION
		4 PLACES ±---+--- 3 PLACES ±---+--- 2 PLACES ±0.25+--- 1 PLACE ±0.25+--- 0 PLACE ±---+---	mm INCH +---+--- +---+--- +---+--- +---+--- +---+--- +---+--- +---+--- +---+--- +---+--- +---+---	DRAWN BY BKOSTIC	DATE 2007/09/10	CHECKED BY BKOSTIC	DATE 2007/09/10	APPROVED BY BKOSTIC
MATERIAL NO. SEE TABLE		DOCUMENT NO. SD-76546-004		SHEET NO. 1 OF 1		THIS DRAWING CONTAINS INFORMATION THAT IS PROPRIETARY TO MOLEX INCORPORATED AND SHOULD NOT BE USED WITHOUT WRITTEN PERMISSION		



ITEM	MOLEX P/N:	DESCRIPTION	PLATING SPEC:
1	76546-0004	3-CKT CONNECTOR TIN PLATING (CONTACT AREA)	0.00254 MATTE TIN OVERALL, OVER 0.00127 NICKEL.
2	76546-0005	3-CKT CONNECTOR GOLD PLATING (CONTACT AREA ONLY)	0.000127 NICKEL OVERALL WITH 0.00254 MATTE TIN ON TAILS AND 0.000762 SELECTIVE GOLD ON CONTACT AREA.

- NOTES:
- MATERIAL:
 - HOUSINGS: PBT 30% UL-94, V-0: COLOR BLACK
 - TERMINALS: COPPER ALLOY
 - PLATING: SEE CHART
 - PACKAGING: ASSEMBLIES TO BE TRAY PACKED PER PACKAGING SPEC PK-76546-xxx
 - PRODUCT SPEC: PS-46436-100
 - APPLICATION SPEC: AS-46436-100
 - PRODUCT TO MEET RoHS REQUIREMENTS
 - ASSEMBLY MATES TO MOLEX RECEPTACLE HARNESS ASSEMBLY, P/N 46586-1003
 - MATES TO 46586-0003

RECOMMENDED PCB LAYOUT AND KEEP OUT ZONE

REN P/N'S 76546-0006 & 0007 IEC NO: UCP2014-0600 DRAWN: OULLES 2013/08/08 CHKD: PISZCZOR 2013/08/08 APPROV: APATEL 2013/09/05	QUALITY SYMBOLS ∇=0 ∇=0 ∇=0	GENERAL TOLERANCES (UNLESS SPECIFIED)		DIMENSION STYLE MM ONLY		SCALE 4:1	DESIGN UNITS METRIC	THIRD ANGLE PROJECTION
		4 PLACES ±---+--- 3 PLACES ±---+--- 2 PLACES ±0.25+--- 1 PLACE ±0.25+--- 0 PLACE ±---+---	mm INCH +---+--- +---+--- +---+--- +---+--- +---+--- +---+--- +---+--- +---+--- +---+--- +---+---	DRAWN BY BKOSTIC	DATE 2007/09/10	CHECKED BY BKOSTIC	DATE 2007/09/10	APPROVED BY BKOSTIC
DRAFT WHERE APPLICABLE MUST REMAIN WITHIN DIMENSIONS		ANGULAR ±1/2°		DOCUMENT NO. SD-76546-004		TITLE 3-CKT VERTICAL PLUG ASSY PRESS-FIT, TEN60 FAMILY, VERTICAL		SHEET NO. 1 OF 1