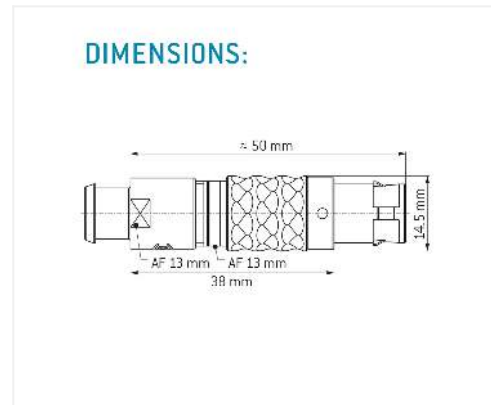
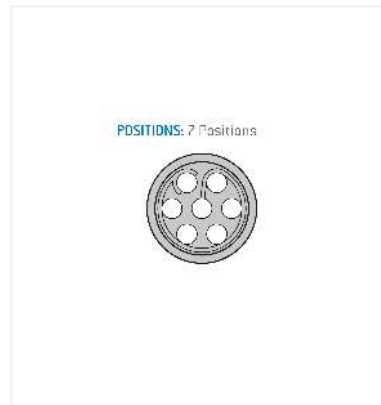


## General information

Part number	S22LAC-P07PPL0-920S
Termination	crimp
Size	2
Locking principle	push
Coding	a_key
Cable Diameter	cable_mini_92
Cable outlet	bend_relief



## Contact insert description

Number of contacts	7
Contact type	pins
Contact diameter	13mm
Insulator material	peek
Wire cross section	18-20 awg
Termination	crimp

reverse\_gender\_on\_request

## Technical information

Max. creepage and air clearance distance	09_mm	10_mm
Nominal current single contact	15_a	iec_60512_5_2
Nominal current insert	9,75 A	vde_0298_4
Test voltage	11_kv_ac	sae_13441

safety\_text

## Mechanical and environmental data

Degree of protection*	ip50
Operating temperature	40_120_c
Mating cycles	5000

mated unmated

## Material and surface treatments

Housing	m_chrome
Contact	cu_alloy_gold

safety\_text\_2  
ul\_text  
illustrative\_text