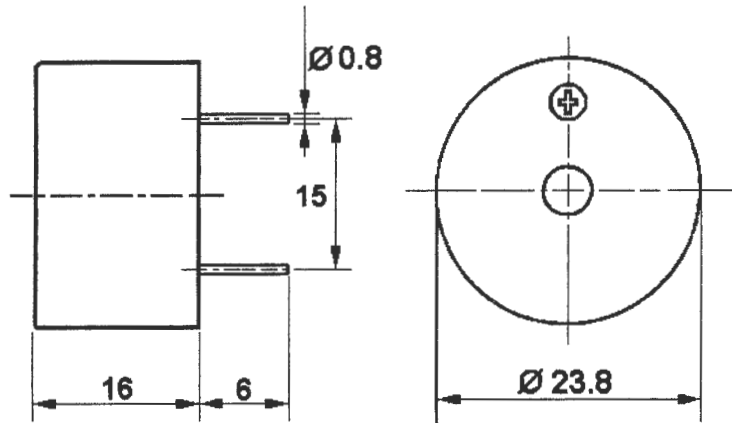
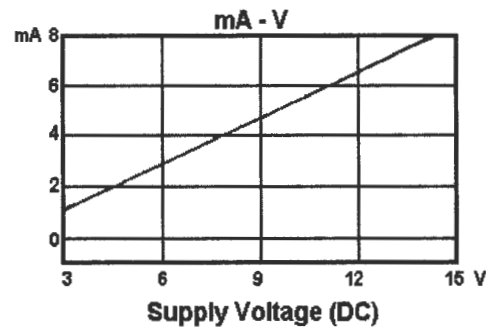
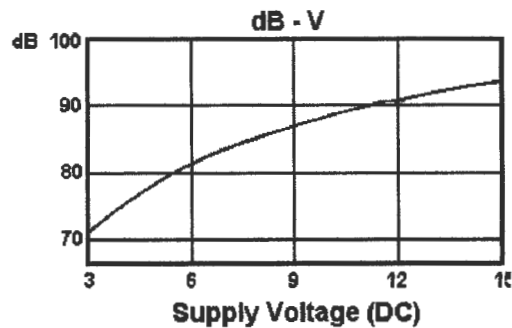


# INTERVOX PIEZO BUZZER BRP2416P-12-C

## SPECIFICATIONS:



Model No.	BRP2416P-12-C
Rated Voltage (Vdc)	12
Operating Voltage (Vdc)	3 ~ 20
Frequency (Hz)	2800 ± 500
Current @ 12 Vdc (mA MAX)	8
Sound Output @ 30 cm (dB)	85
Operating Temperature (°C)	-20 to +70
Storage Temperature (°C)	-30 to +80
Weight (g)	5



ALL DIMENSIONS IN MILLIMETERS

INTERVOX  
**International** ©

INTERNATIONAL COMPONENTS CORPORATION  
215 MCCORMICK DRIVE, BOHEMIA, NY 11716  
FAX: 631-952-9595 FAX: 631-952-9597

Title:

**Piezo Buzzer**

Intervox Model #

**BRP2416P-12-C**

Rev  
**A**

Scale

Date: 4/11/96

Sheet 1 of 1