

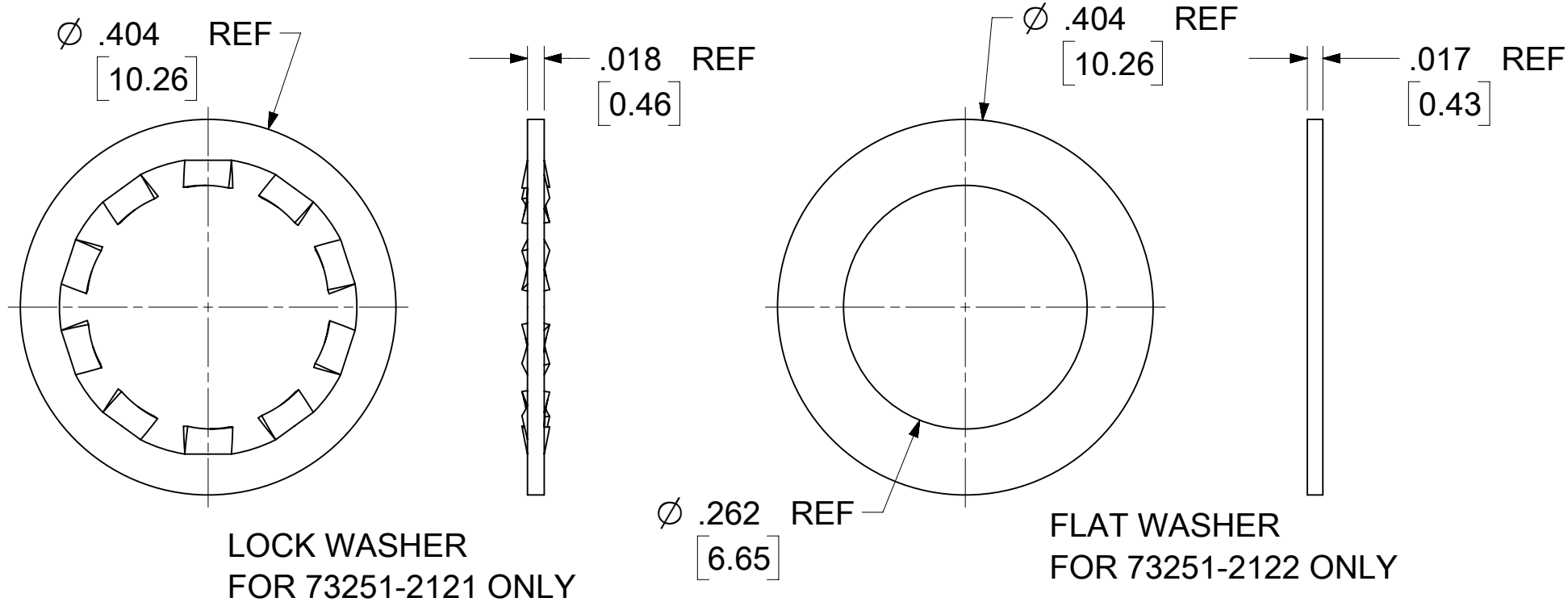
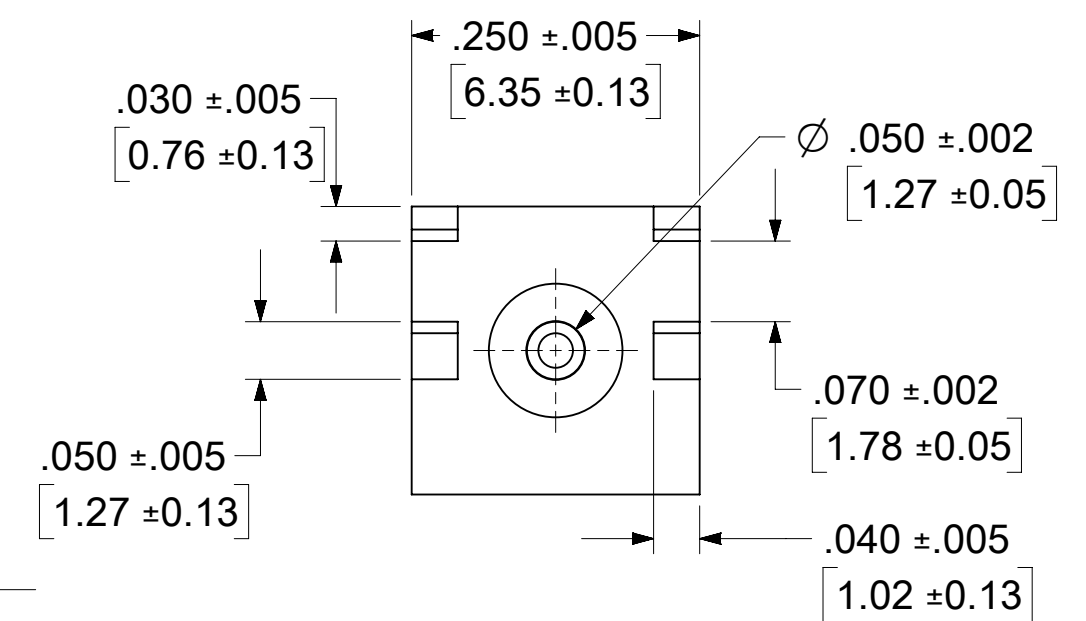
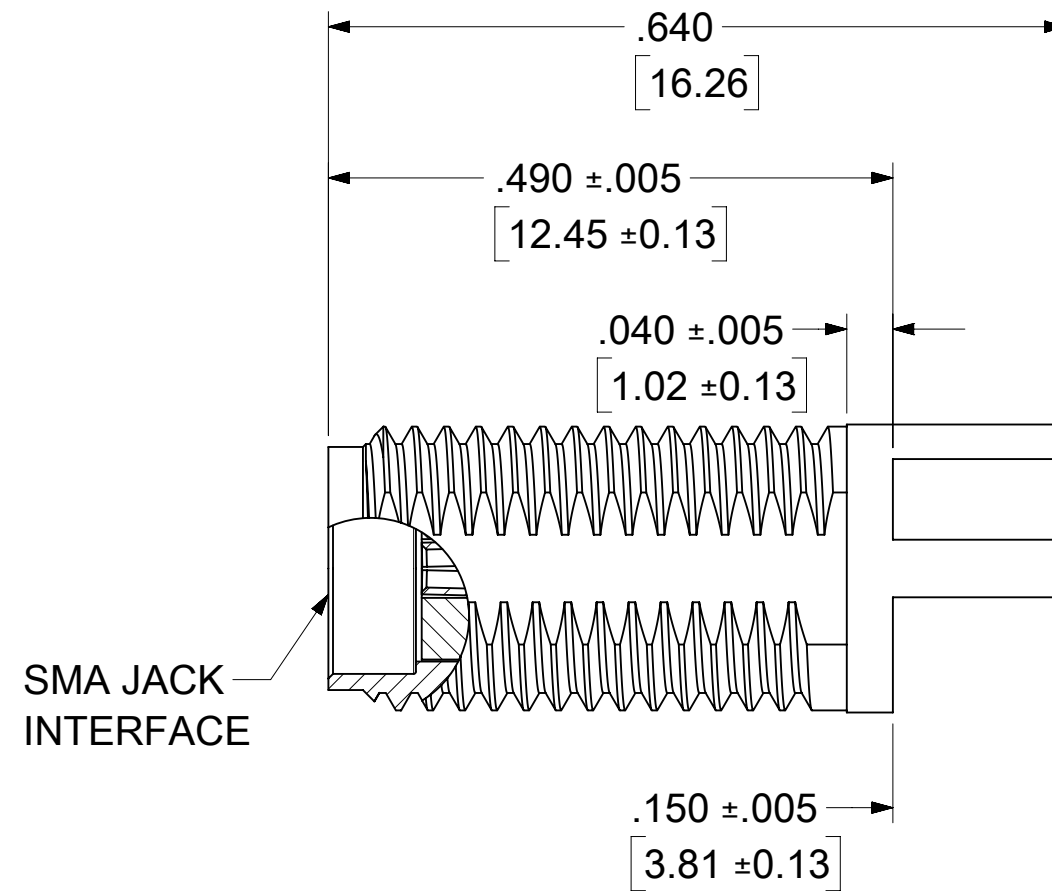
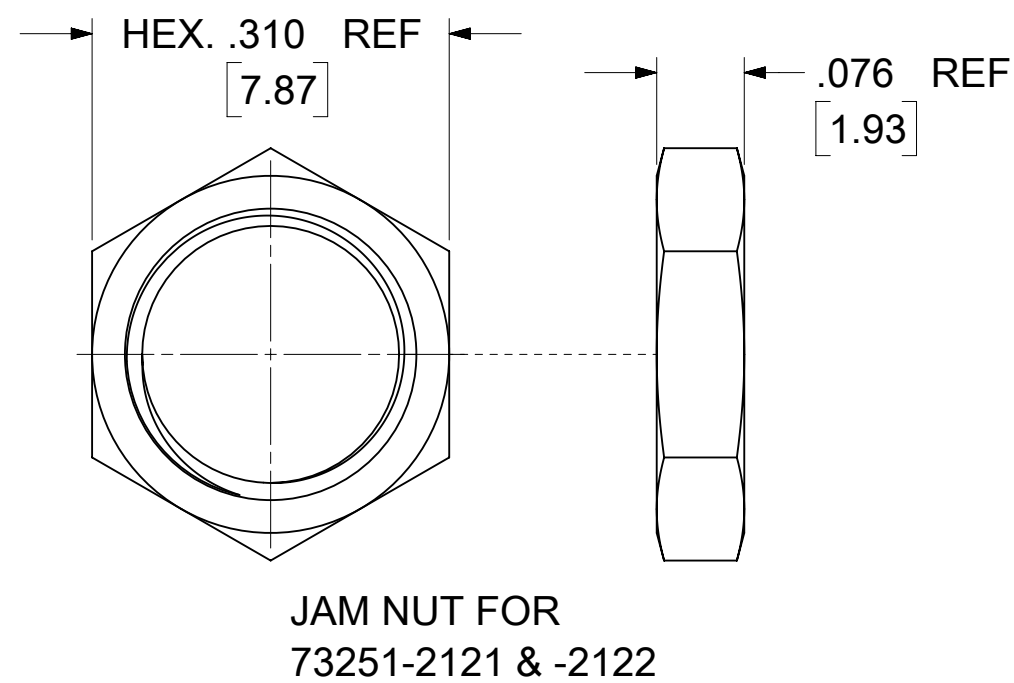
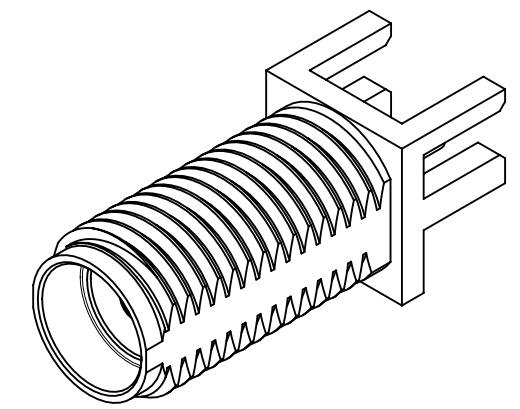
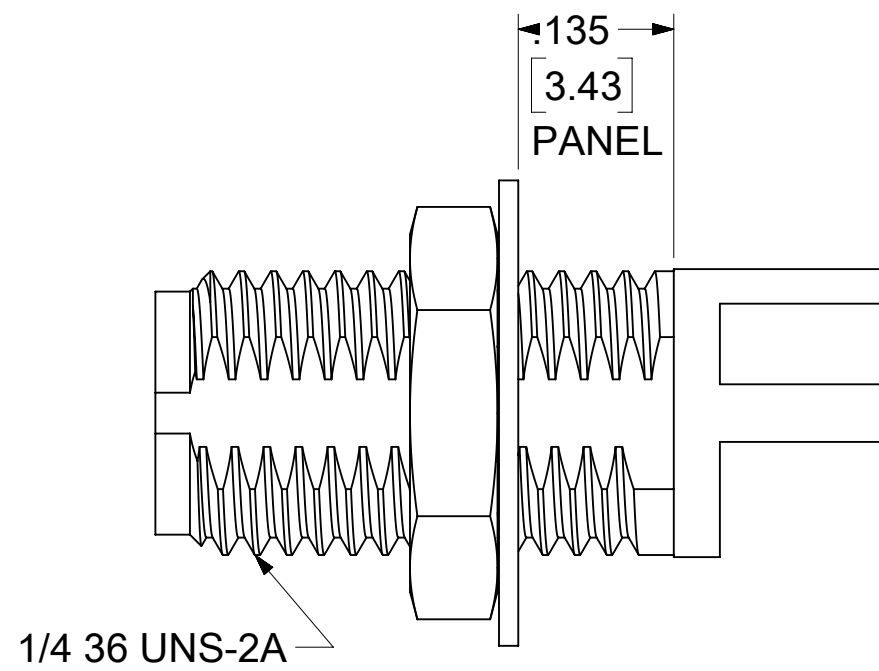
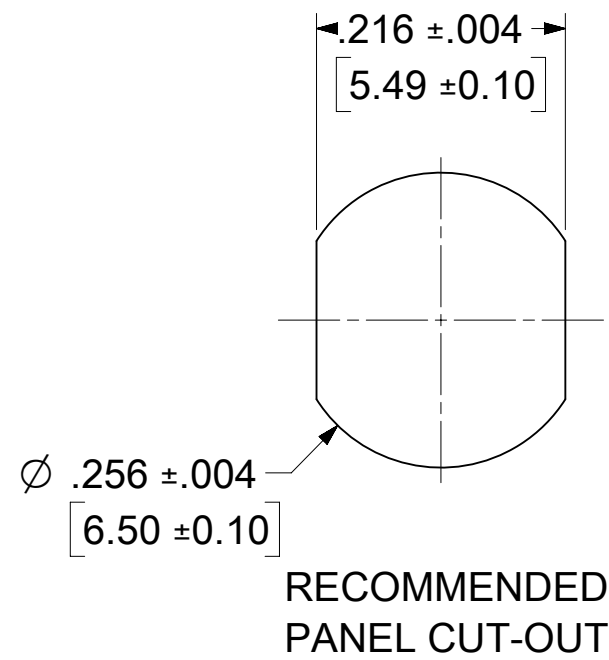
MATERIALS AND FINISHES:

BODY, JAM NUT, FLAT WASHER: BRASS PLATED GOLD

CENTER CONTACT: BERYLLIUM COPPER PLATED GOLD

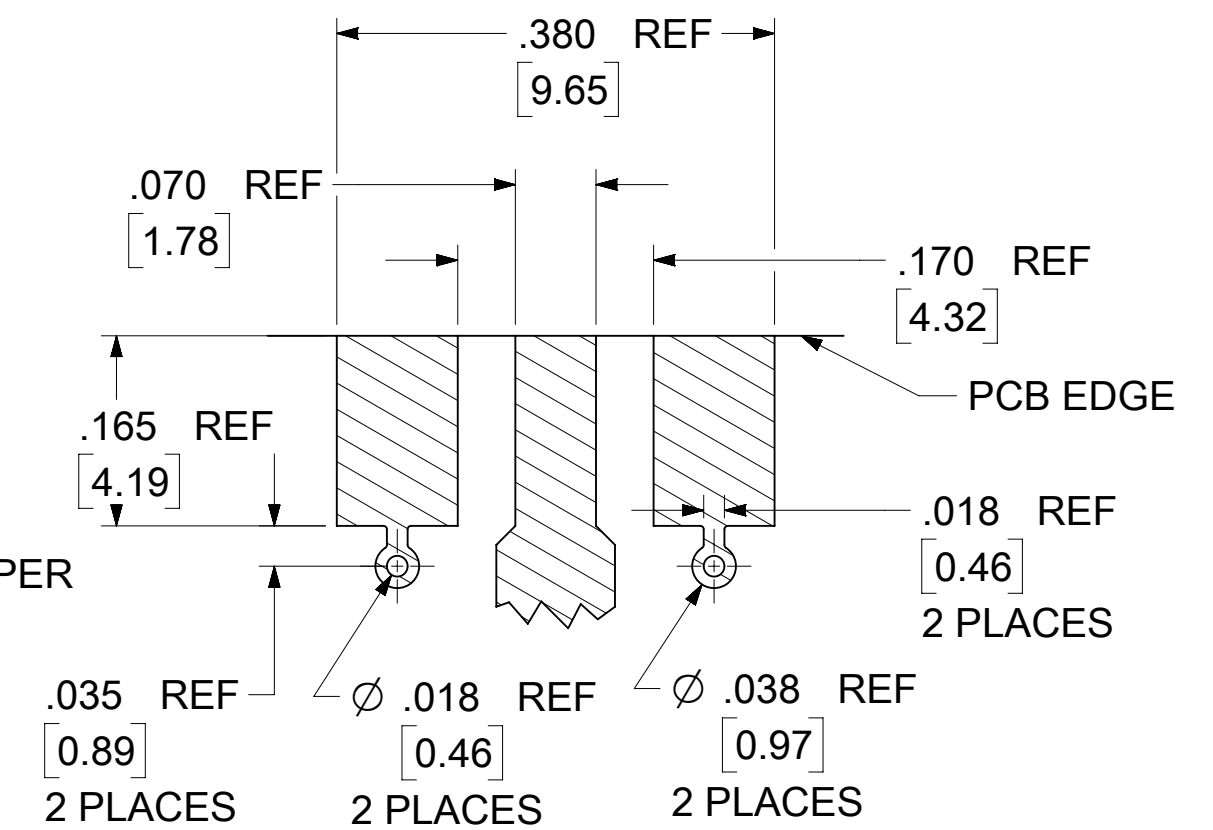
INSULATOR: TEFLON

LOCK WASHER: PHOSPHOR BRONZE PLATED GOLD



RECOMMENDED PAD LAYOUT

BASE WIDTH: .250(6.35) NOM.
BOARD THICKNESS: .062(1.57) NOM.
BOARD MATERIAL: FR4 W/1.0 OZ COPPER BOTH SIDES



73251-2123	-2120 WITHOUT HARDWARE	ONE PIECE PER BAG	895420090
73251-2122	-2120 W / JAM NUT & FLAT WASHER	TRAY	895420040
73251-2121	-2120 W / JAM NUT & LOCK WASHER	TRAY	895420040
73251-2120	-2120 WITHOUT HARDWARE	TRAY	895420040
PART NO.	DESCRIPTION	PACKAGING	PACKING SPEC

PS-89675-346	PRODUCT SPECIFICATION
MIL-STD-348A, FIG. 310.2	INTERFACE
SPECIFICATION	DESCRIPTION

FUNCTIONAL SYMBOLS	THIS DRAWING CONTAINS INFORMATION THAT IS PROPRIETARY TO MOLEX ELECTRONIC TECHNOLOGIES, LLC AND SHOULD NOT BE USED WITHOUT WRITTEN PERMISSION		CURRENT REV DESC: ADD PKG NOTE PER EWR15788-A	
	DIMENSION UNITS	SCALE		
FA = 0	IN/MM	NTS		
EA = 0	GENERAL TOLERANCES (UNLESS SPECIFIED)			
EP = 0	ANGULAR TOL ± 2.0°			
DIVISIONAL SYMBOLS	4 PLACES	±	EC NO: 746940	2022/09/20
	3 PLACES	±	DRWN: CWEI02	2023/05/22
	2 PLACES	±	CHK'D: YCHENG	2023/05/22
	1 PLACE	±	APPR: YCHENG	2023/05/22
0 PLACES	±	INITIAL REVISION:	2003/07/09	
DRAFT WHERE APPLICABLE MUST REMAIN WITHIN DIMENSIONS		THIRD ANGLE PROJECTION	DRAWING	SERIES
			C-SIZE	73251
DOCUMENT STATUS		P1	RELEASE DATE	2023/05/22 09:42:03
DOCUMENT NUMBER		CUSTOMER		SHEET NUMBER
SD-73251-212		GENERAL MARKET		1 OF 1

molex

SMA JACK, EDGE MOUNT
.062 BOARD, 50 OHMS, EWR-2074 SMA-J/PCB

PRODUCT CUSTOMER DRAWING

DOCUMENT NUMBER DOC TYPE DOC PART REVISION

SD-73251-212 PSD 001 A6

MATERIAL NUMBER CUSTOMER SHEET NUMBER

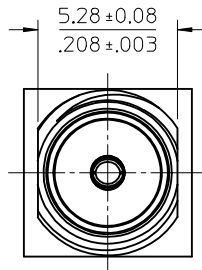
SEE TABLE GENERAL MARKET 1 OF 1

MATERIALS AND FINISHES

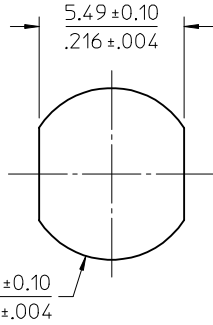
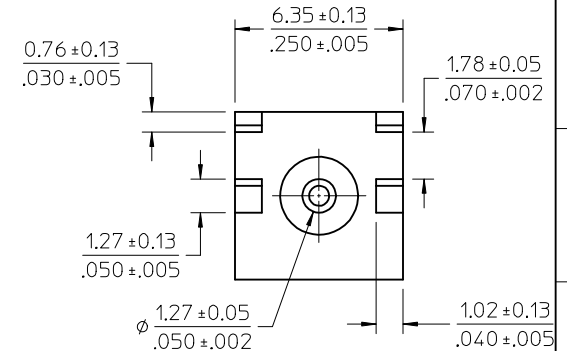
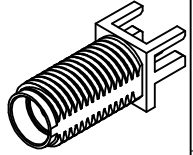
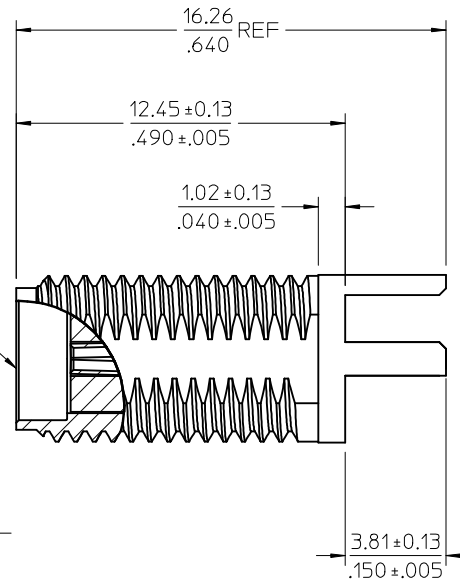
BODY: BRASS
PLATED: NICKEL

CENTER CONTACT: BERYLLIUM COPPER
PLATED: GOLD

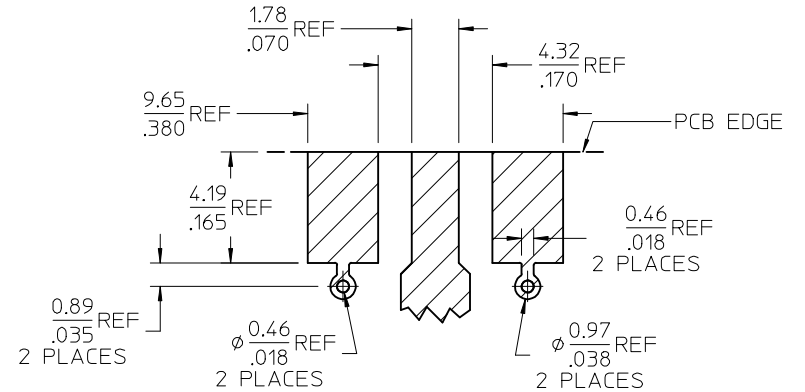
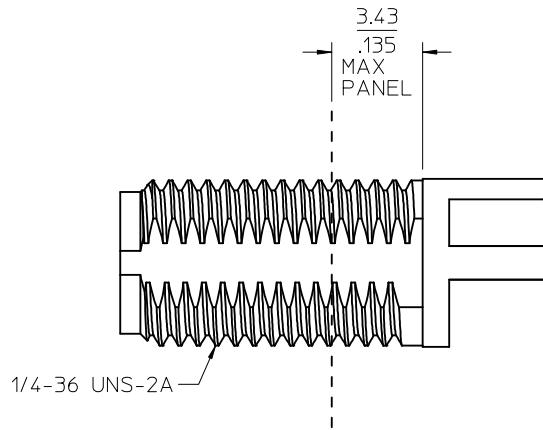
INSULATOR: PTFE



SMA JACK
INTERFACE



RECOMMENDED PANEL CUTOUT



RECOMMENDED PAD LAYOUT:
BASE WIDTH: 6.35(.250) NOM.
BOARD THICKNESS: 1.57(.062) NOM.
BOARD MATERIAL: FR4 W/1.0 OZ COPPER
BOTH SIDES

PART # 73251-9340

PS-89675-3460	PRODUCT SPECIFICATION
MIL-STD-348A, FIG. 310.2	INTERFACE
SPECIFICATION	DESCRIPTION

CHG: NEW RELEASE	EC NO: URF2014-0585 DRWN: JLEE02 2014/04/14 CHKD: SSS 2014/04/14 APPR: WSPINK	QUALITY SYMBOLS ∇=0 ∇=0 ∇=0	GENERAL TOLERANCES (UNLESS SPECIFIED)		DIMENSION STYLE	SCALE	DESIGN UNITS	THIRD ANGLE PROJECTION	
			mm	INCH	MM/IN	INCH	INCH		
A	A	REV	4 PLACES	±	---	DRAWN BY	DATE	TITLE	
			3 PLACES	±	---	AROBERTSON	2014/04/08	SMA JACK BK RM	
			2 PLACES	±	---	CHECKED BY	DATE	EDGE LAUNCH .062" PCB	
			1 PLACE	±	---	2014/04/08	SSS	SMA-J/BK/PCB, EWR-5375	
			0 PLACE	±	---	APPROVED BY	DATE	molex	
						WSPINK	2014/04/14	SD-73251-934	
			ANGULAR ± 2°		MATERIAL NO.	DOCUMENT NO.		SHEET NO.	
			DRAFT WHERE APPLICABLE MUST REMAIN WITHIN DIMENSIONS		SEE TABLE	SD-73251-934		1 OF 1	
			THIS DRAWING CONTAINS INFORMATION THAT IS PROPRIETARY TO MOLEX INCORPORATED AND SHOULD NOT BE USED WITHOUT WRITTEN PERMISSION						