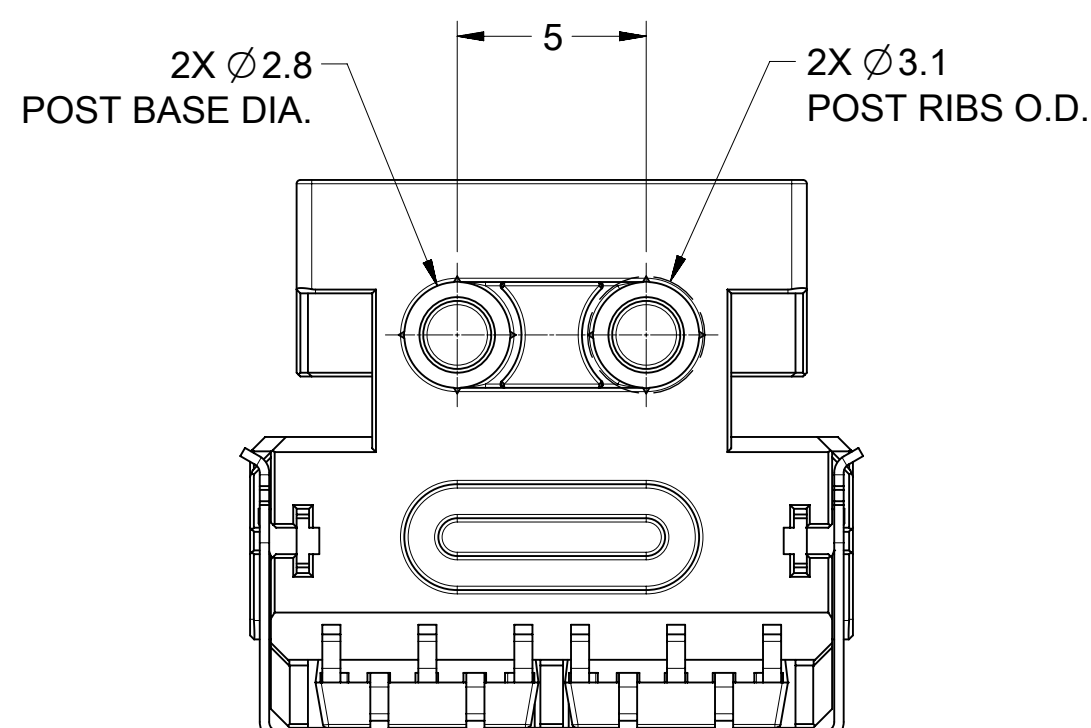
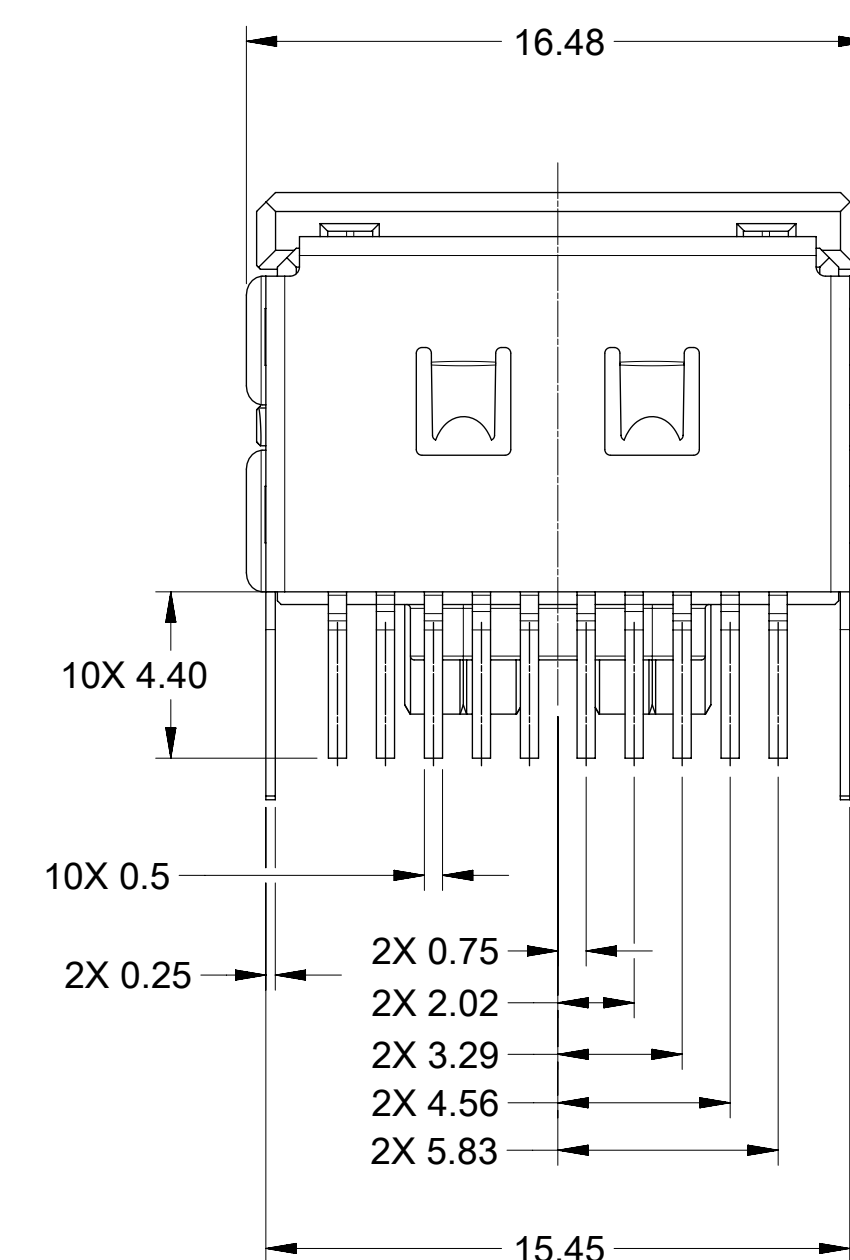
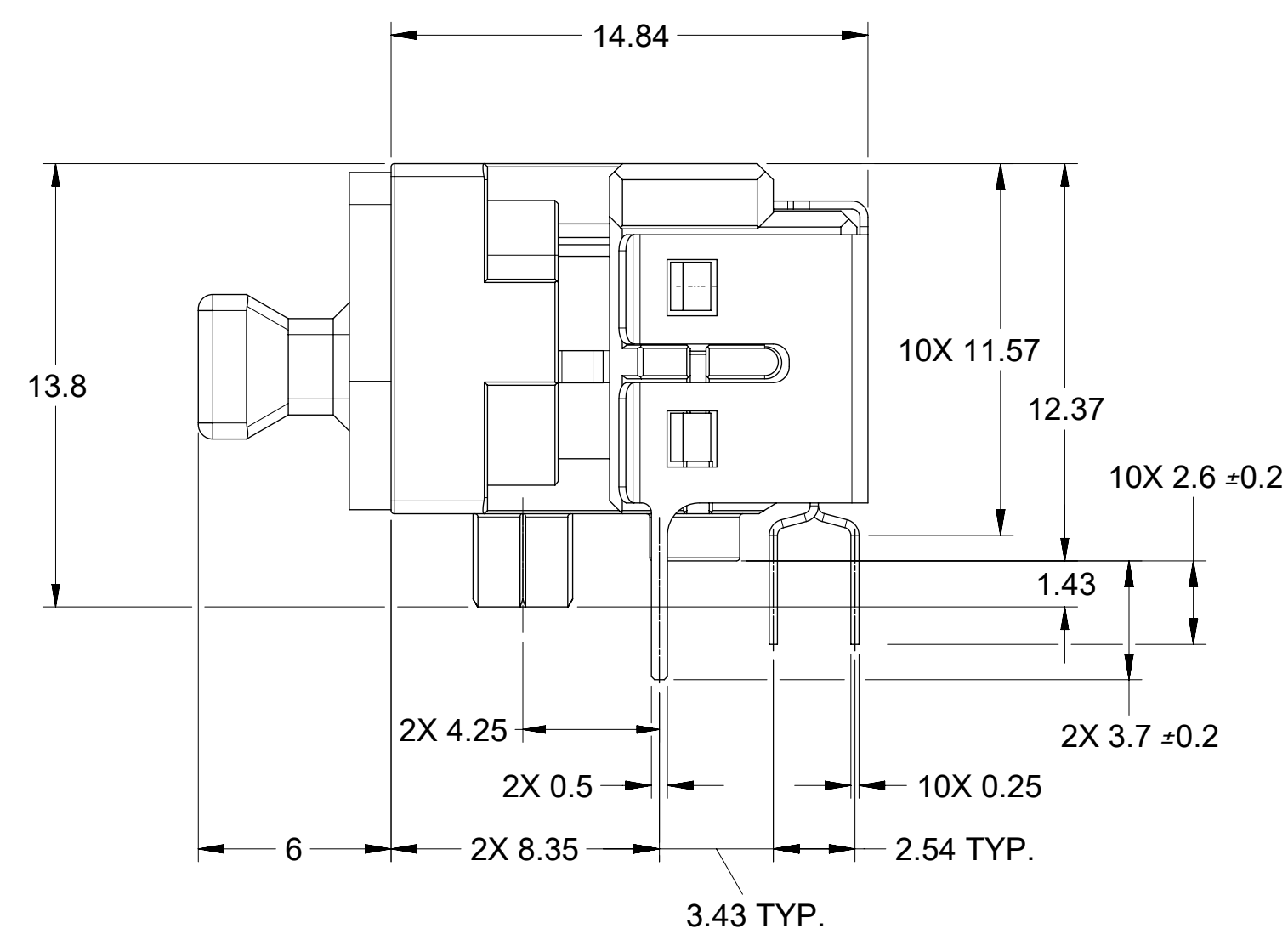
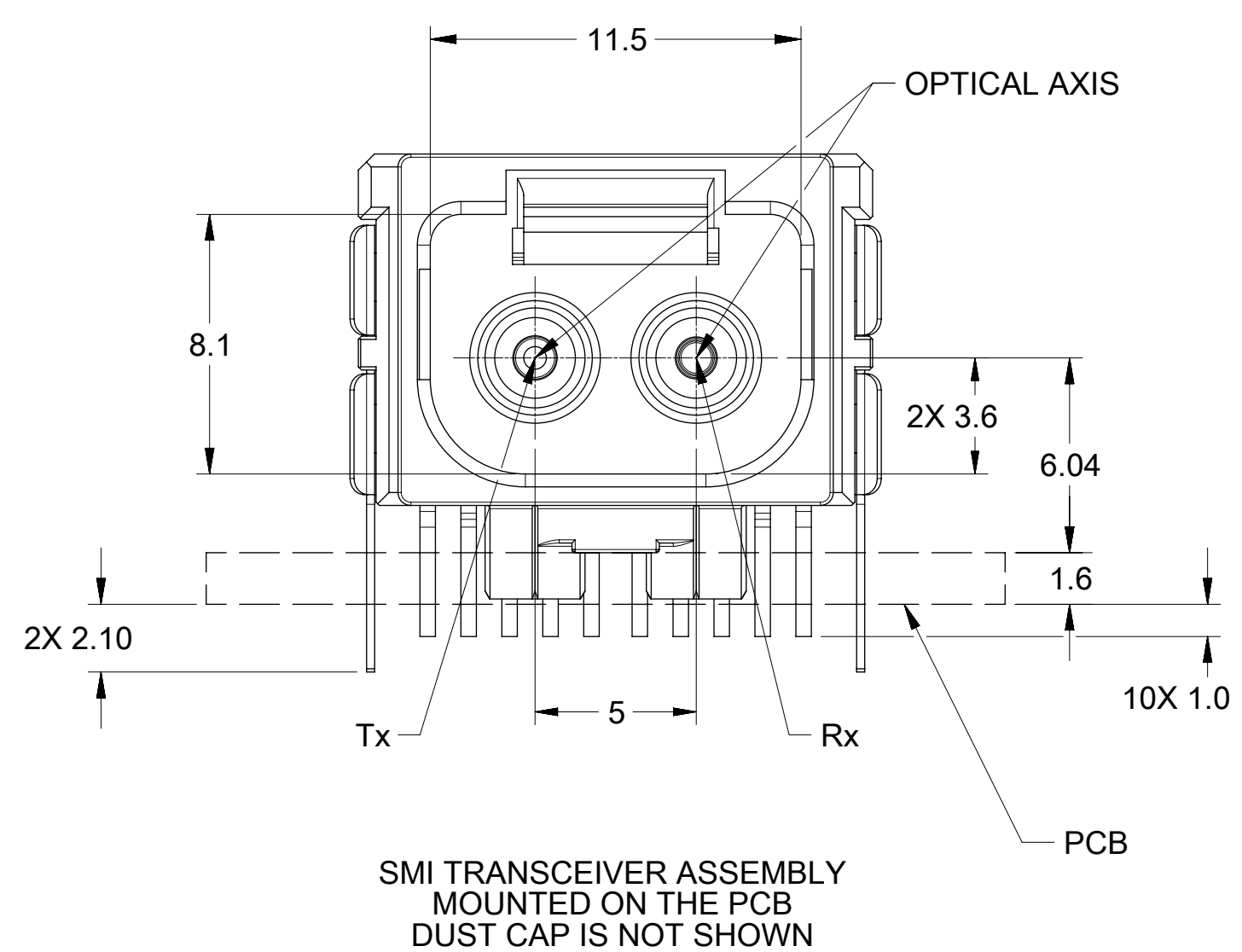
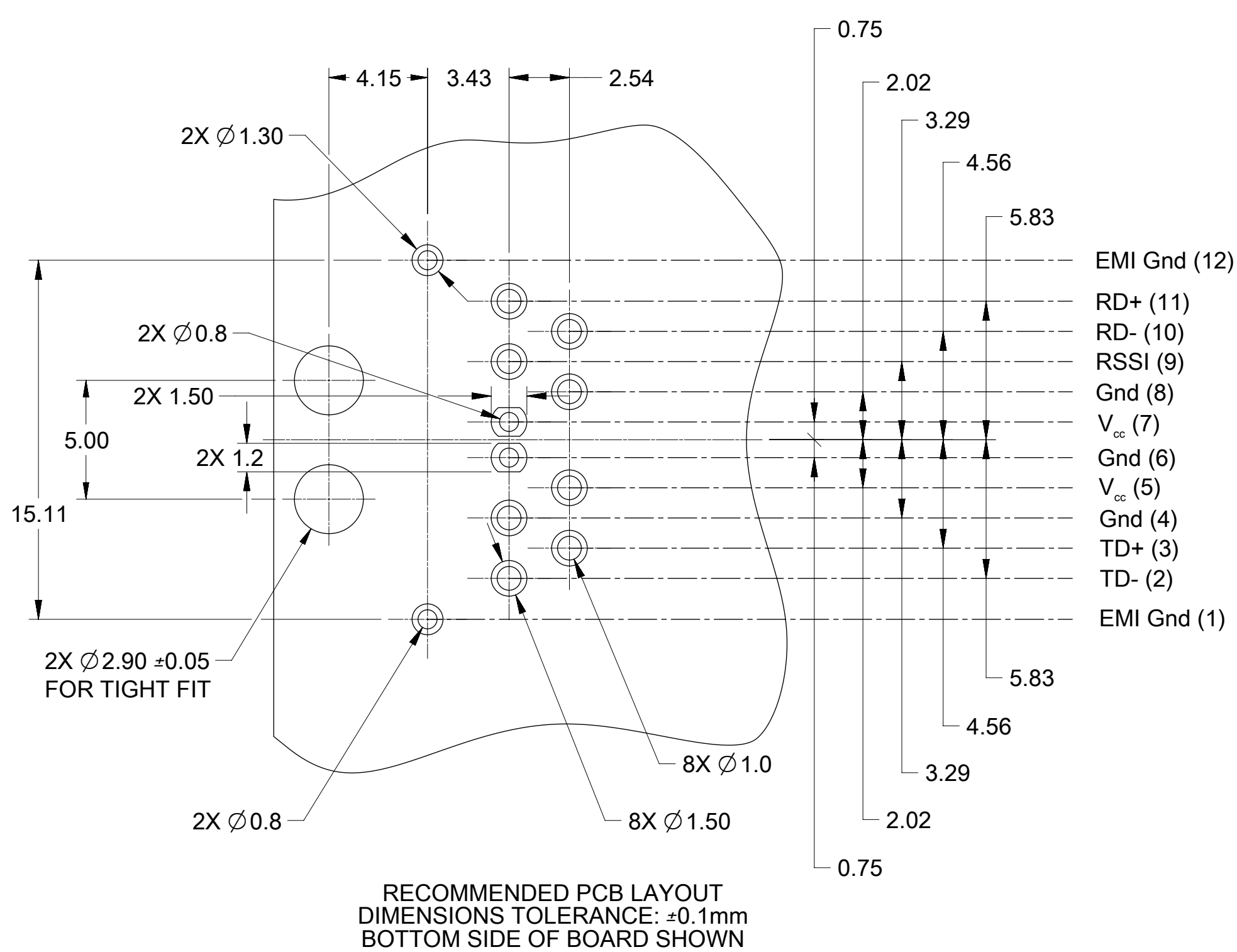
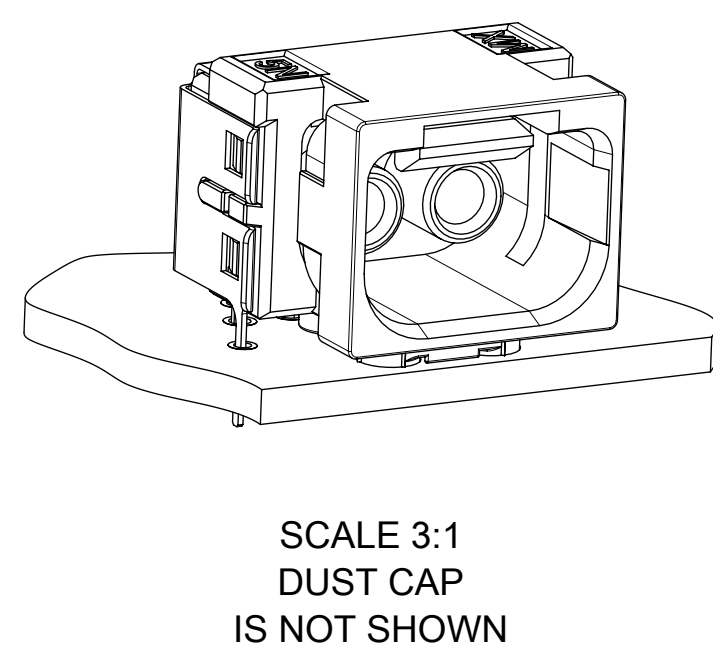
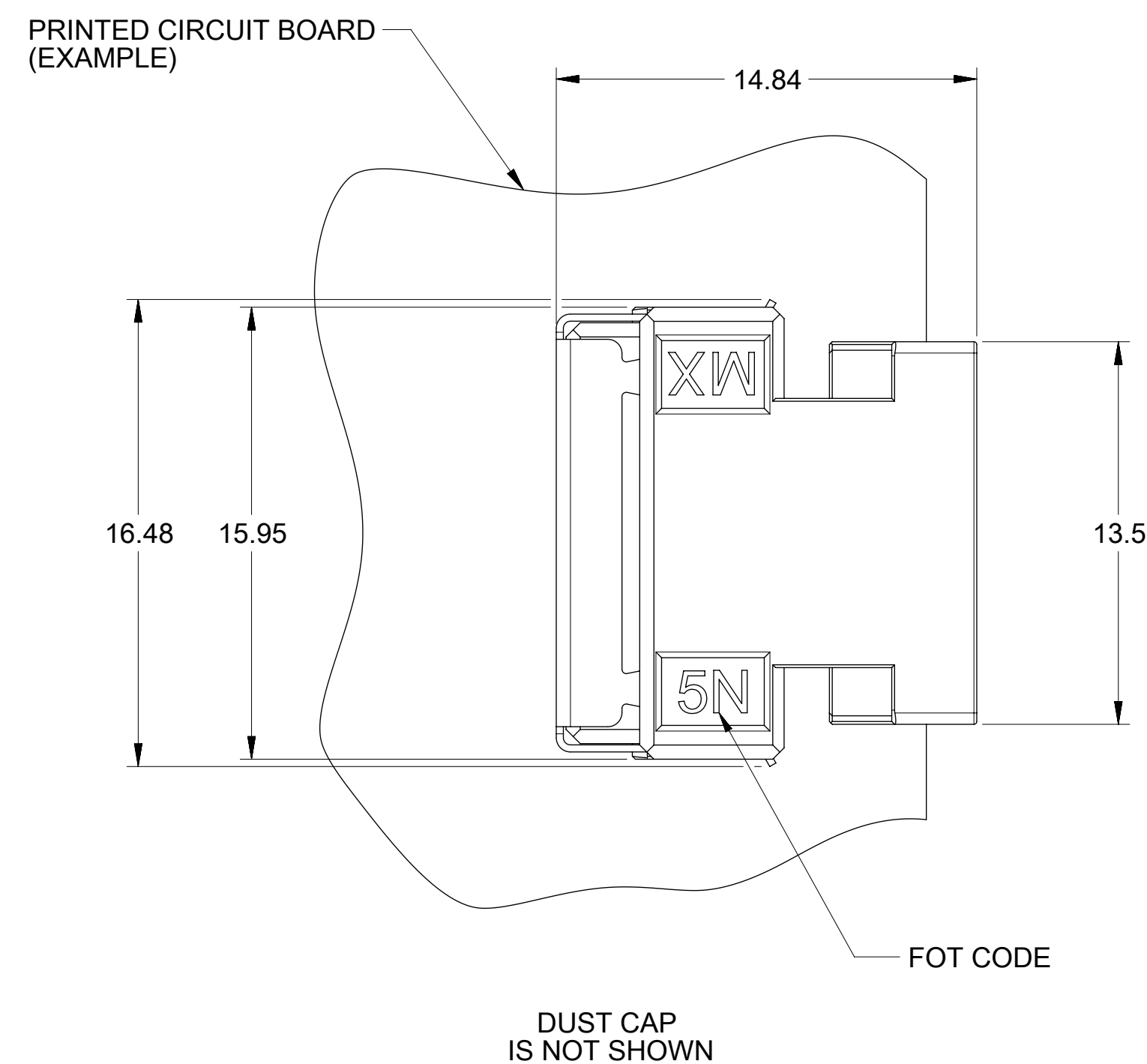
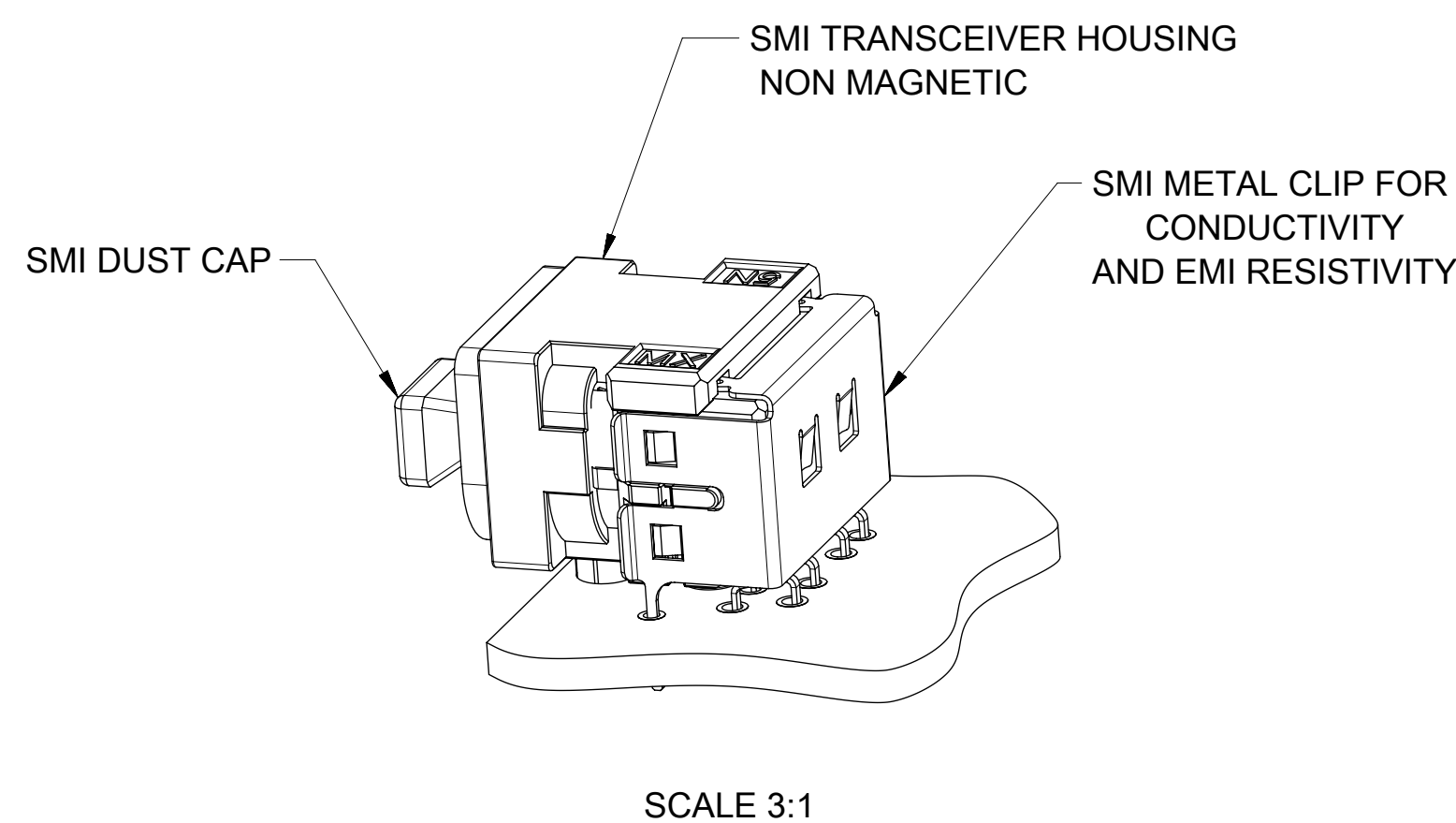
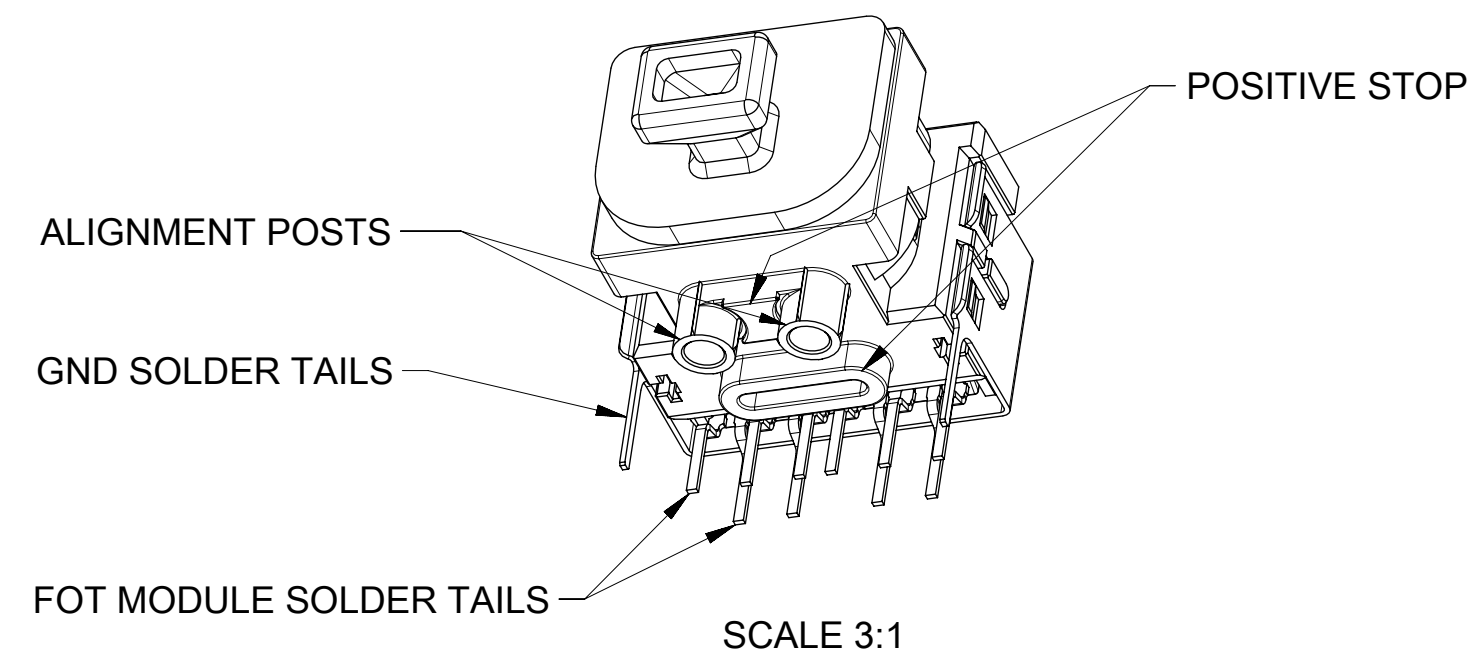


FOT MODULE TYPE	FOT CODE
250/500 Mbps DIGITAL VCSEL	5N



NOTES:

1. ALL DIMENSIONS ARE FOR REFERENCE ONLY EXCEPT FOR RECOMMENDED PCB LAYOUT.
2. ATTACH THIS COMPONENT TO THE PCB VIA HOT BAR, LASER OR IR SOLDERING. RE-FLOW OVEN SOLDERING IS NOT APPROVED AT THIS TIME.

SYMBOLS	THIS DRAWING CONTAINS INFORMATION THAT IS PROPRIETARY TO MOLEX ELECTRONIC TECHNOLOGIES, LLC AND SHOULD NOT BE USED WITHOUT WRITTEN PERMISSION		CURRENT REV DESC: NO DRAWING CHANGES FROM REV. B; COMPONENT MODELS REFRESHED		
	DIMENSION UNITS	SCALE			
▽ = 0	mm	5:1			<p>EC NO: 652858 DRWN: AECKHART 2021/01/07 CHK'D: WCHEN 2021/01/12 APPR: WCHEN 2021/01/12</p> <p>INITIAL REVISION: DRWN: AECKHART 2018/05/09 APPR: WCHEN 2018/11/07</p>
▽ = 0	GENERAL TOLERANCES (UNLESS SPECIFIED)				
▽ = 0	ANGULAR TOL ± °				<p>PRODUCT CUSTOMER DRAWING</p> <p>DOCUMENT NUMBER: 1061082500 DOC TYPE: PSD DOC PART: 000 REVISION: B1</p>
▽ = 0	4 PLACES ±				
▽ = 0	3 PLACES ±				
▽ = 0	2 PLACES ±				
▽ = 0	1 PLACE ±				
▽ = 0	0 PLACES ±				
■ = 0	DRAFT WHERE APPLICABLE MUST REMAIN WITHIN DIMENSIONS		THIRD ANGLE PROJECTION	DRAWING SERIES	MATERIAL NUMBER
▽ = 0				D-SIZE 106108	1061082500
			CUSTOMER	SHEET NUMBER	
			GENERAL MARKET	1 OF 1	