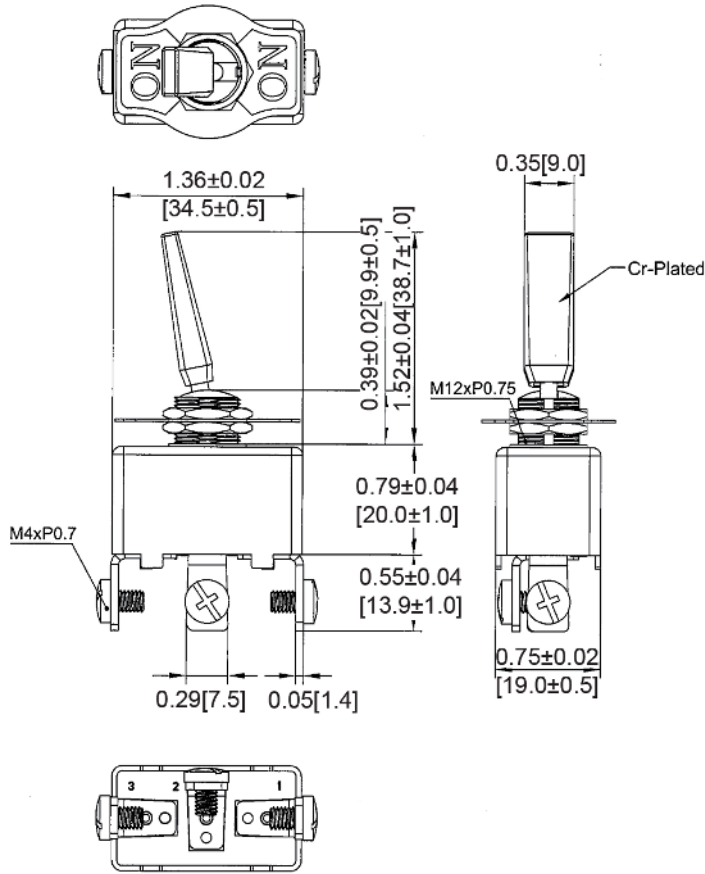
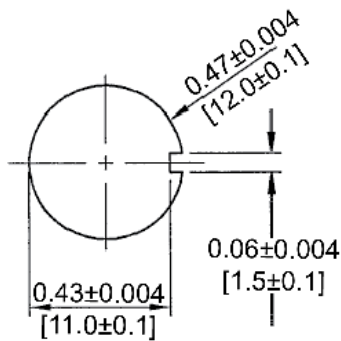


**Mechanical Dimensions: Inches [mm]**

Tolerances  $\pm 0.012$  [0.3] Unless Otherwise Specified



**Mounting Hole**



**Circuit Diagram**

3P SPDT ON-ON



**Electrical Specifications**

Rating	50A 12V DC
Contact Resistance	50m ohm Max
Insulation Resistance	DC 500V 100M ohm Min
Dielectric Strength	AC 1500V 1 minute
Operation Temperature	-20°C~85°C

**Material Specifications**

2 HEX NUT ASSY
1 ON/ON FACE PLATE ASSY

Rev	Date of issue	Revision Notes	Designed	Approved
A	01-14-2020	Initial Drawing	RC	OF