

# VAL-SEC-T2-1S-350 - Type 2 surge arrester



2905341

<https://www.phoenixcontact.com/us/products/2905341>

Please be informed that the data shown in this PDF document is generated from our online catalog. Please find the complete data in the user documentation. Our general terms of use for downloads are valid.



Plug-in surge arrester, in accordance with Type 2/Class II, for 1-phase power supply networks with separate N and PE (3-conductor system: L1, N, PE).

## Your advantages

- Surge protection family for universal use with optimum energy coordination from the lightning current arrester to the device protection
- Easy to maintain due to consistently pluggable protection modules
- Excellent level of information provided by mechanical/visual status indicator and remote indication contact
- More space in the control cabinet due to the narrow overall width of just 12 mm per position and use without separate backup fuse up to 315 A gG

## Commercial data

Item number	2905341
Packing unit	1 pc
Minimum order quantity	1 pc
Sales key	CL01
Product key	CL1351
Catalog page	Page 55 (C-4-2019)
GTIN	4046356948043
Weight per piece (including packing)	211 g
Weight per piece (excluding packing)	211 g
Customs tariff number	85363090
Country of origin	DE

# VAL-SEC-T2-1S-350 - Type 2 surge arrester



2905341

<https://www.phoenixcontact.com/us/products/2905341>

## Technical data

### Product properties

IEC test classification	II
	T2
EN type	T2
IEC power supply system	TN-S
	TT
Type	DIN rail module, two-section, divisible
Product type	Surge arrester
Product family	SEC Family
Number of positions	2
Surge protection fault message	optical

### Insulation characteristics

Overvoltage category	III
Pollution degree	2

### Electrical properties

Nominal frequency $f_N$	50 Hz (60 Hz)
-------------------------	---------------

### Connection data

Connection method	Screw connection
Screw thread	M5
Tightening torque	4.5 Nm
Stripping length	16 mm
Conductor cross section flexible	2.5 mm <sup>2</sup> ... 16 mm <sup>2</sup>
Conductor cross section rigid	2.5 mm <sup>2</sup> ... 25 mm <sup>2</sup>
Conductor cross section AWG	12 ... 4
Connection method	Fork-type cable lug
Conductor cross section flexible	1.5 mm <sup>2</sup> ... 6 mm <sup>2</sup>

### Dimensions

Dimensional drawing	
Width	25.4 mm
Height	89.9 mm
Depth	74.5 mm (incl. DIN rail 7.5 mm)
Horizontal pitch	1.4 Div.

### Material specifications

# VAL-SEC-T2-1S-350 - Type 2 surge arrester



2905341

<https://www.phoenixcontact.com/us/products/2905341>

Flammability rating according to UL 94	V-0
CTI value of material	600
Insulating material	PA6.6-FR 20% GF
	PBT-FR
Material group	I
Housing material	PA 6.6-FR 20 % GF
	PBT-FR

## Protective circuit

Mode of protection	L-N
	L-PE
	N-PE
Direction of action	1L-N & N-PE
Nominal voltage $U_N$	240 V AC (TN-S)
	240 V AC (TT)
Nominal frequency $f_N$	50 Hz (60 Hz)
Maximum continuous operating voltage $U_C$ (L-N)	350 V AC
Maximum continuous operating voltage $U_C$ (L-PE)	350 V AC
Maximum continuous operating voltage $U_C$ (N-PE)	264 V AC
Rated load current $I_L$	40 A (Biconnect M4 fork-type cable lug 6 mm <sup>2</sup> )
	63 A (TWIN ferrule 2 x 10 mm <sup>2</sup> )
Residual current $I_{PE}$	≤ 1 μA
Nominal discharge current $I_n$ (8/20) μs	20 kA
Maximum discharge current $I_{max}$ (8/20) μs	40 kA
Follow current interrupt rating $I_{fi}$ (N-PE)	100 A (264 V AC)
Short-circuit current rating $I_{SCCR}$	25 kA (for a backup fuse of up to 315 A gG)
	50 kA (for a backup fuse of up to 200 A gG)
Voltage protection level $U_p$ (L-N)	≤ 1.5 kV
Voltage protection level $U_p$ (L-PE)	≤ 1.9 kV
Voltage protection level $U_p$ (N-PE)	≤ 1.5 kV
Residual voltage $U_{res}$ (L-N)	≤ 1.5 kV (at $I_n$ )
	≤ 1.3 kV (at 10 kA)
	≤ 1.2 kV (at 5 kA)
	≤ 1.1 kV (at 4 kA)
	≤ 1 kV (at 2 kA)
Residual voltage $U_{res}$ (L-PE)	≤ 1.9 kV (at $I_n$ )
	≤ 1.5 kV (at 10 kA)
	≤ 1.4 kV (at 5 kA)
	≤ 1.3 kV (at 4 kA)
	≤ 1.2 kV (at 2 kA)
Residual voltage $U_{res}$ (N-PE)	≤ 0.5 kV (at $I_n$ )
	≤ 0.5 kV (at 10 kA)
	≤ 0.5 kV (at 5 kA)
	≤ 0.5 kV (at 4 kA)

# VAL-SEC-T2-1S-350 - Type 2 surge arrester



2905341

<https://www.phoenixcontact.com/us/products/2905341>

	≤ 0.5 kV (at 2 kA)
TOV behavior at $U_T$ (L-N)	415 V AC (5 s / withstand mode) 457 V AC (120 min / safe failure mode)
TOV behavior at $U_T$ (N-PE)	1200 V AC (200 ms / withstand mode)
Response time $t_A$ (L-N)	≤ 25 ns
Response time $t_A$ (L-PE)	≤ 100 ns
Response time $t_A$ (N-PE)	≤ 100 ns
Max. backup fuse with V-type through wiring	40 A (gG / Biconnect M4 fork-type cable lug, 6 mm <sup>2</sup> ) 63 A (gG / TWIN ferrule 2x 10mm <sup>2</sup> )
Max. backup fuse with branch wiring	315 A (gG)

## Environmental and real-life conditions

### Ambient conditions

Degree of protection	IP20
Ambient temperature (operation)	-40 °C ... 80 °C
Ambient temperature (storage/transport)	-40 °C ... 80 °C
Altitude	≤ 2000 m (amsl)
Permissible humidity (operation)	5 % ... 95 %
Shock (operation)	30g (Half-sine / 11 ms / 3x ±X, ±Y, ±Z)
Vibration (operation)	5g (10 ... 500 Hz / 2.5 h / X, Y, Z)

## Approvals

### UL specifications

Maximum continuous operating voltage MCOV (L-N)	350 V AC
Maximum continuous operating voltage MCOV (L-G)	350 V AC
Maximum continuous operating voltage MCOV (N-G)	264 V AC
Nominal discharge current $I_n$ (L-N)	20 kA
Nominal discharge current $I_n$ (L-G)	20 kA
Nominal discharge current $I_n$ (N-G)	20 kA
Mode of protection	L-N L-G N-G
Nominal voltage	240 V AC
Power distribution system	Single phase
Nominal frequency	50/60 Hz
Measured limiting voltage MLV (L-N)	2000 V
Measured limiting voltage MLV (L-G)	2080 V
Measured limiting voltage MLV (N-G)	950 V
Follow current (L-G)	200 A (264 V AC)
SPD Type	4CA

### UL connection data

Tightening torque	40 lb <sub>F</sub> -in. ... 50 lb <sub>F</sub> -in.
Conductor cross section AWG	14 ... 2 (solid)

# VAL-SEC-T2-1S-350 - Type 2 surge arrester



2905341

<https://www.phoenixcontact.com/us/products/2905341>

	14 ... 4 (flexible)
--	---------------------

## Standards and regulations

### Air clearances and creepage distances

Standards/regulations	DIN VDE 0110-1 / IEC 60664-1 / IEC 61643-11
Standards/specifications	IEC 61643-11
Note	2011

### EN 61643-11

Standards/specifications	EN 61643-11
Note	2012

## Mounting

Mounting type	DIN rail: 35 mm
---------------	-----------------

# VAL-SEC-T2-1S-350 - Type 2 surge arrester

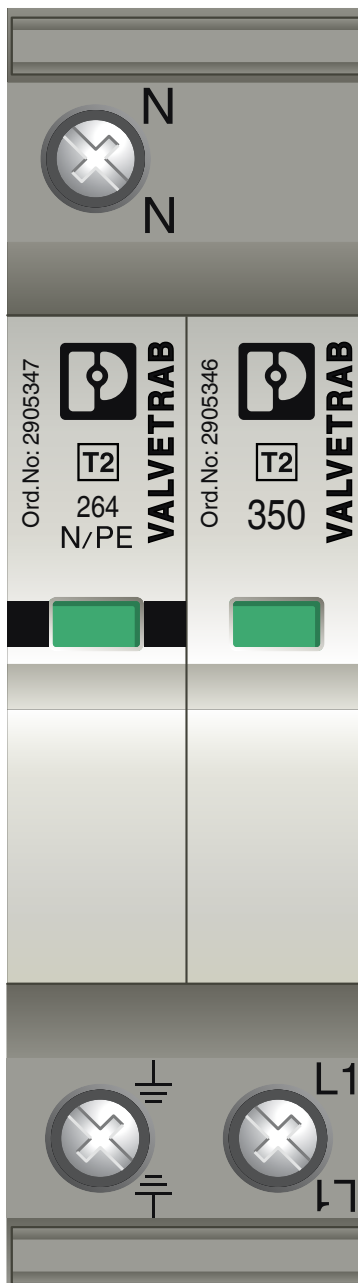
2905341

<https://www.phoenixcontact.com/us/products/2905341>



## Drawings

Product drawing



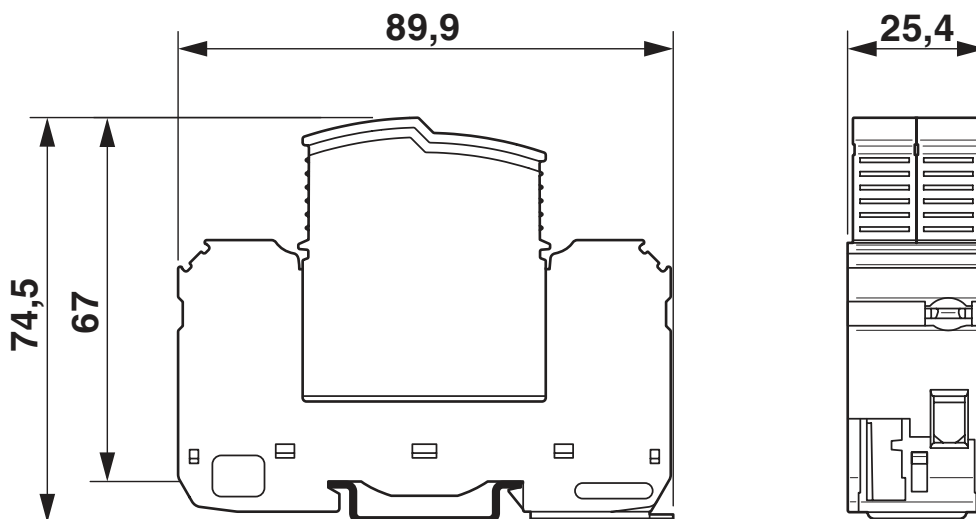
# VAL-SEC-T2-1S-350 - Type 2 surge arrester

2905341

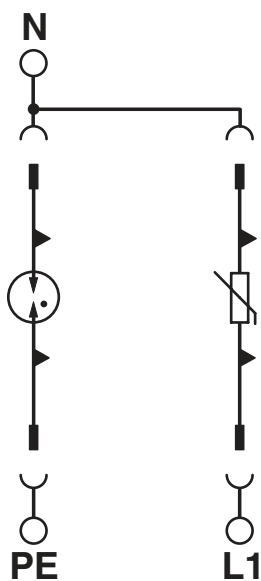
<https://www.phoenixcontact.com/us/products/2905341>



Dimensional drawing



Circuit diagram



# VAL-SEC-T2-1S-350 - Type 2 surge arrester



2905341

<https://www.phoenixcontact.com/us/products/2905341>

## Approvals

To download certificates, visit the product detail page: <https://www.phoenixcontact.com/us/products/2905341>



**cUL Recognized**

Approval ID: FILE E 330181



**UL Recognized**

Approval ID: FILE E 330181



**IECEE CB Scheme**

Approval ID: NL-34356



**EAC**

Approval ID: RU C-DE.\*09.B.00169

**CCA**

Approval ID: NTR-NL 7347



**KEMA-KEUR**

Approval ID: 2196453.01



**DNV GL**

Approval ID: TAE000023D

**UAE-RoHS**

Approval ID: 22-09-50946

**cULus Recognized**



# VAL-SEC-T2-1S-350 - Type 2 surge arrester



2905341

<https://www.phoenixcontact.com/us/products/2905341>

## Classifications

### ECLASS

ECLASS-11.0	27130805
ECLASS-13.0	27171202

### ETIM

ETIM 8.0	EC000941
----------	----------

### UNSPSC

UNSPSC 21.0	39121600
-------------	----------

# VAL-SEC-T2-1S-350 - Type 2 surge arrester



2905341

<https://www.phoenixcontact.com/us/products/2905341>

## Environmental product compliance

China RoHS	Environmentally friendly use period: unlimited = EFUP-e
	No hazardous substances above threshold values

# VAL-SEC-T2-1S-350 - Type 2 surge arrester



2905341

<https://www.phoenixcontact.com/us/products/2905341>

## Accessories

### CLIPFIX 35 - End clamp

3022218

<https://www.phoenixcontact.com/us/products/3022218>



Quick mounting end clamp for NS 35/7,5 DIN rail or NS 35/15 DIN rail, with marking option, width: 9.5 mm, color: gray

---

### EML (20XE)R - Label

0803452

<https://www.phoenixcontact.com/us/products/0803452>



Label, Roll, white, unlabeled, can be labeled with: THERMOMARK E.300 (D)/600 (D), THERMOMARK ROLL 2.0, THERMOMARK ROLL, THERMOMARK ROLL X1, THERMOMARK ROLLMASTER 300/600, THERMOMARK X1.2, mounting type: adhesive, lettering field size: continuous x 20 mm

# VAL-SEC-T2-1S-350 - Type 2 surge arrester

2905341

<https://www.phoenixcontact.com/us/products/2905341>

## EML (20XE)R YE - Label

0803453

<https://www.phoenixcontact.com/us/products/0803453>



Label, Roll, yellow, unlabeled, can be labeled with: THERMOMARK E.300 (D)/600 (D), THERMOMARK ROLL 2.0, THERMOMARK ROLL, THERMOMARK ROLL X1, THERMOMARK ROLLMASTER 300/600, THERMOMARK X1.2, mounting type: adhesive, lettering field size: continuous x 20 mm

---

## ZBN 18:UNBEDRUCKT - Zack marker strip

2809128

<https://www.phoenixcontact.com/us/products/2809128>



Zack marker strip, Strip, white, unlabeled, can be labeled with: CMS-P1-PLOTTER, PLOTMARK, mounting type: snapped, for terminal block width: 18 mm, lettering field size: 18 x 5 mm, Number of individual labels: 5

# VAL-SEC-T2-1S-350 - Type 2 surge arrester

2905341

<https://www.phoenixcontact.com/us/products/2905341>

## ZBN 18,LGS:L1-N,ERDE - Marker for terminal blocks

2749576

<https://www.phoenixcontact.com/us/products/2749576>



Marker for terminal blocks, Strip, white, labeled, horizontal: L1, L2, L3, N, GND, mounting type: snapped, for terminal block width: 18 mm, lettering field size: 18 x 5 mm, Number of individual labels: 5

---

## ZBN 18,LGS:ERDE - Marker for terminal blocks

2749589

<https://www.phoenixcontact.com/us/products/2749589>



Marker for terminal blocks, Strip, white, labeled, horizontal: Grounding symbol, mounting type: snapped, for terminal block width: 18 mm, lettering field size: 18 x 5 mm, Number of individual labels: 5

# VAL-SEC-T2-1S-350 - Type 2 surge arrester

2905341

<https://www.phoenixcontact.com/us/products/2905341>

## ZBFM 5/WH:UNBEDRUCKT - Flat zack marker sheet

0803595

<https://www.phoenixcontact.com/us/products/0803595>



Flat zack marker sheet, Sheet, white, unlabeled, can be labeled with: CMS-P1-PLOTTER, PLOTMARK, mounting type: snapped, for terminal block width: 5.2 mm, lettering field size: 5 x 4.5 mm, Number of individual labels: 120

---

## VAL-SEC-AGK-25 - Pick-off terminal

1452282

<https://www.phoenixcontact.com/us/products/1452282>



Pick-off terminal, can only be used in combination with VAL-SEC-T2 series, nominal voltage: 400 V, nominal current: 63 A, connection method: screw connection, rated cross-section: 25 mm<sup>2</sup>, cross-section: 1.5 mm<sup>2</sup> – 25 mm<sup>2</sup>, color: gray

## VAL-SEC-T2-1S-350 - Type 2 surge arrester

2905341

<https://www.phoenixcontact.com/us/products/2905341>



## X-PEN 0,35 - Marker pen

0811228

<https://www.phoenixcontact.com/us/products/0811228>



Marker pen without ink cartridge, for manual labeling of markers, labeling extremely wipe-proof, line thickness 0.35 mm

---

## VAL-SEC-T2-350-P - Type 2 surge protection plug

2905346

<https://www.phoenixcontact.com/us/products/2905346>



Replacement plug for surge arresters from the VALVETRAB SEC product range for L-N and L-PEN paths.

# VAL-SEC-T2-1S-350 - Type 2 surge arrester

2905341

<https://www.phoenixcontact.com/us/products/2905341>



## VAL-SEC-T2-N/PE-350-P - Type 2 surge protection plug

2905347

<https://www.phoenixcontact.com/us/products/2905347>



Replacement plug for surge arresters from the VALVETRAB SEC product range for the N-PE path.

---

Phoenix Contact 2023 © - all rights reserved

<https://www.phoenixcontact.com>

Phoenix Contact USA  
586 Fulling Mill Road  
Middletown, PA 17057, United States  
(+717) 944-1300  
[info@phoenixcon.com](mailto:info@phoenixcon.com)