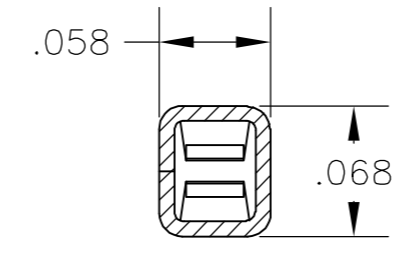
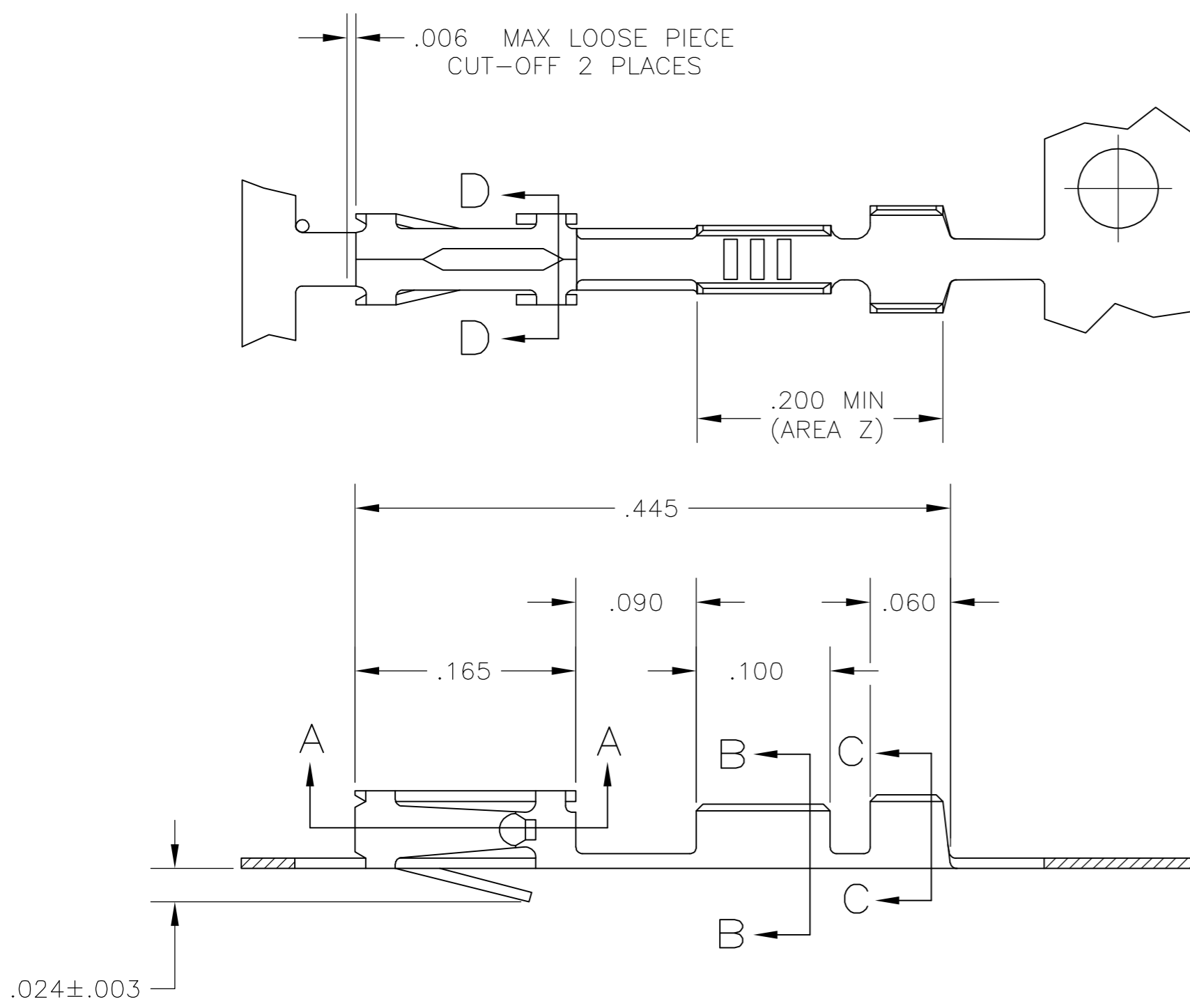
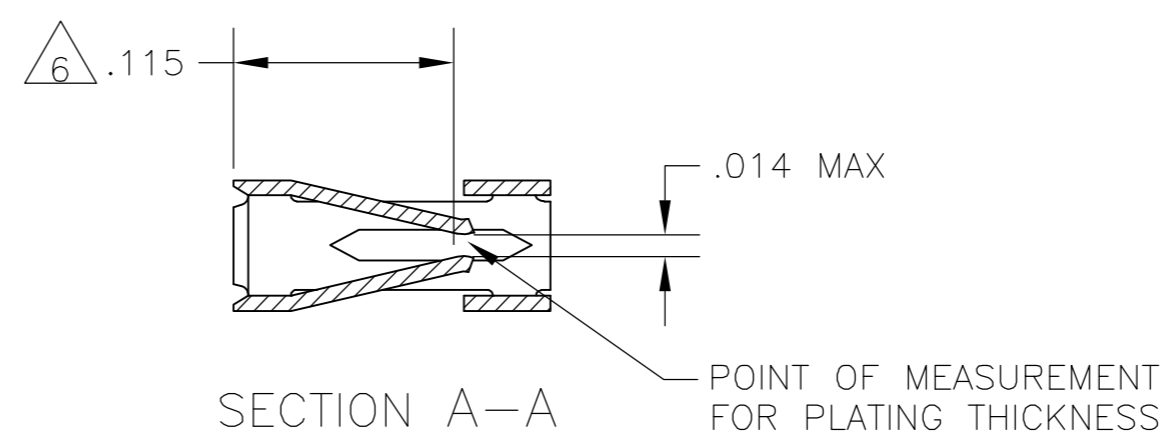


THIS DRAWING IS UNPUBLISHED. RELEASED FOR PUBLICATION  
 © COPYRIGHT BY TYCO ELECTRONICS CORPORATION. ALL RIGHTS RESERVED.

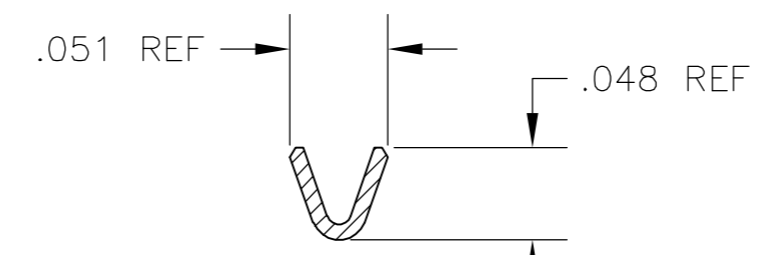
LOC	DIST	REVISIONS			
P	LTR	DESCRIPTION	DATE	DWN	APVD
AD	00	G	ECO-05-007262	09JAN06	BSV MM



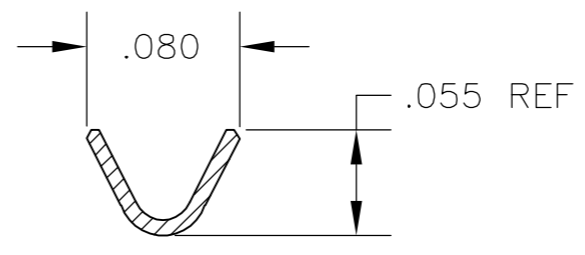
SECTION D-D



SECTION A-A



SECTION B-B  
WIRE SIZE #27-#32



SECTION C-C  
INSULATION RANGE - .020-.040 DIA

- 1 .000030 ON CONTACT AREA, .000100-.000200 93/7 TIN LEAD IN CRIMP AREA "Z", ALL OVER .000050 NICKEL.
- 2. REELED FOR MINI APPLICATOR.
- 3 SHEARED EDGES PERMITTED TO BE UNPLATED.
- 4 .000015 GOLD IN AREA "K", .000100-.000200 BRIGHT TIN-LEAD IN AREA "Z", ALL OVER .000050 NICKEL.
- 5 .000015 GOLD IN CONTACT AREA, .000050 NICKEL ENTIRE CONTACT.
- 6 POINT OF MEASUREMENT FOR PLATING THICKNESS (INSIDE BEAMS)
- 7 .000030 ON CONTACT AREA, .000100-.000200 MATTE TIN IN CRIMP AREA "Z", ALL OVER .000050 NICKEL.

	LOOSE PIECE	$\frac{3}{7}$	5-102920-2
	LOOSE PIECE	$\frac{3}{7}$	5-102920-1
OBsolete	LOOSE PIECE	$\frac{3}{5}$	102920-8
OBsolete	LOOSE PIECE	$\frac{3}{5}$	102920-7
OBsolete	LOOSE PIECE	$\frac{3}{4}$	102920-5
OBsolete	LOOSE PIECE	$\frac{3}{4}$	102920-4
	LOOSE PIECE	$\frac{3}{1}$	102920-2
	LOOSE PIECE	$\frac{3}{1}$	102920-1
	REMARKS	FINISH	PART NUMBER

THIS DRAWING IS A CONTROLLED DOCUMENT.		DWN KATE HELM 03MAY89	Tyco Electronics Corporation Harrisburg, Pa 17105-3608	
DIMENSIONS: INCHES		CHK C. OBERMAN 02JUN89		
TOLERANCES UNLESS OTHERWISE SPECIFIED:		APVD J. GESFORD 02JUN89	NAME	
0 PLC ± -		PRODUCT SPEC		CONTACT, MOD IV 1/2, RECEPTACLE, CRIMP SNAP-IN
1 PLC ± -		108-25021		
2 PLC ± -		APPLICATION SPEC		SIZE
3 PLC ± .005		114-25003		CAGE CODE
4 PLC ± -		WEIGHT		DRAWING NO
ANGLES ± -		CUSTOMER DRAWING		RESTRICTED TO
FINISH SEE TABLE		SCALE 10:1		SHEET 1 OF 1
		REV G		