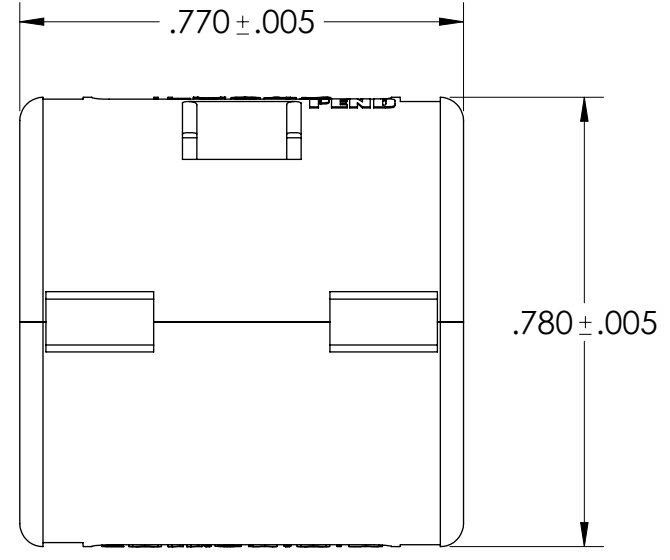
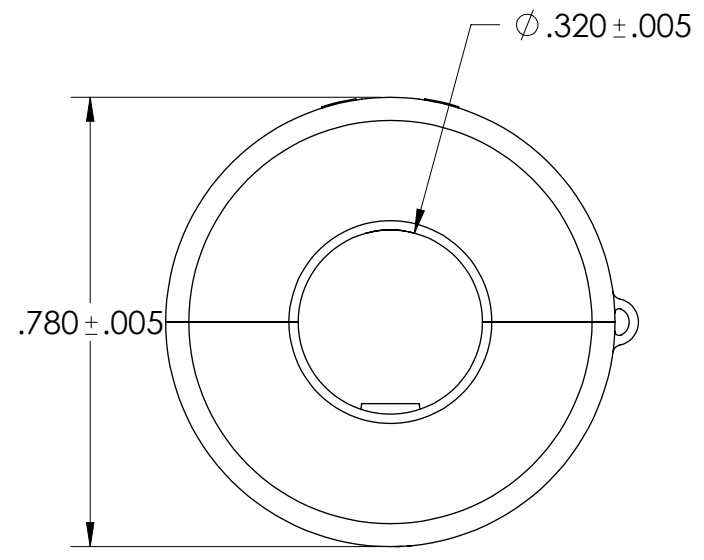
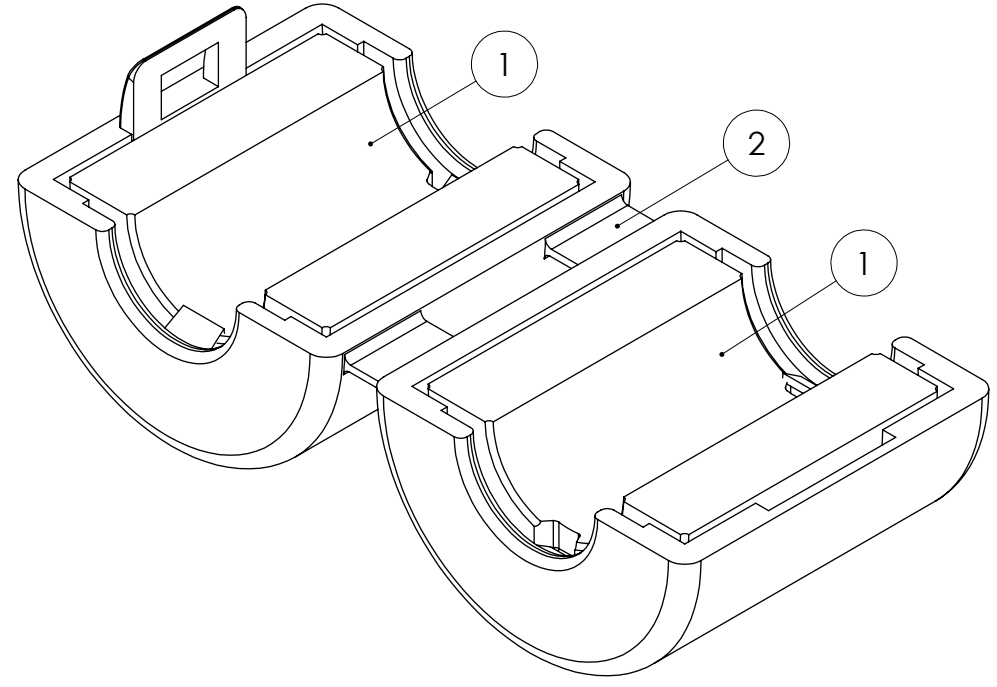
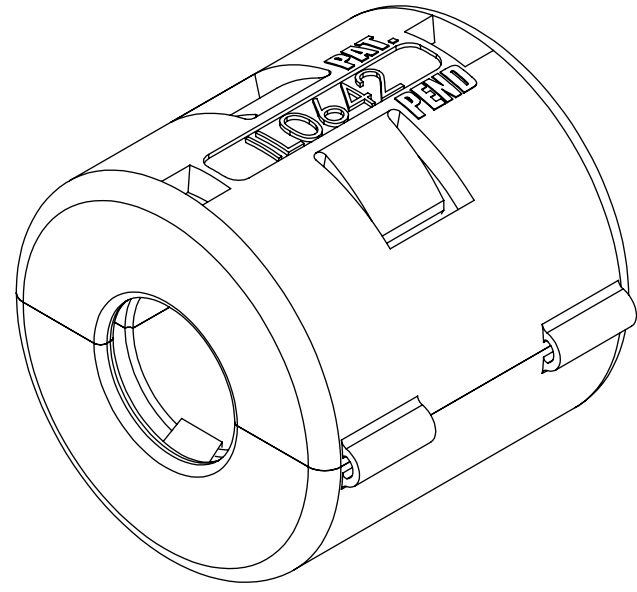


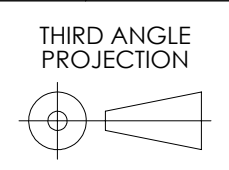
8 7 6 5 4 3 2 1

REVISIONS			
REV.	DESCRIPTION	CHANGED BY	APPROVED BY
A	PRODUCTION RELEASE	-	-



ITEM NO.	PART NUMBER	DESCRIPTION	QTY.
1	25B0642	.320" DIA HALF TOROID FERRITE	2
2	IL0642	CASE	1

UNLESS OTHERWISE SPECIFIED:
 - ALL DIMENSIONS ARE IN INCHES
 - PART SHALL BE FREE OF BURRS AND SHARP EDGES
 - ALL DIMENSIONS SHOWN APPLY AFTER PLATINGS AND COATINGS
 - RoHS COMPLIANT PER EU DIRECTIVE 2011/65/EU
 - POI = POINT OF INTERSECTION



.XXX +/- .005 .XX +/- .010 .X +/- .020 ANGLES +/- 2°

DRAWN BY: JG 2021-02-03 APPROVED BY: Luis Bonet

FINISH: N/A

MATERIAL: 25 MATERIAL

TITLE: INTERNAL LOCKING SNAP

SIZE: B DWG. NO.: IL25B0642G REV: A

SCALE: 3:1 CAGE CODE: 4J674 SHEET: 1 OF 1

THIS DOCUMENT CONTAINS PROPRIETARY INFORMATION OWNED BY LEADERTECH, OR DEVELOPED AT ITS OWN PRIVATE EXPENSE, AND MAY NOT BE USED, DUPLICATED OR DISCLOSED IN WHOLE OR IN PART FOR ANY PURPOSE INCLUDING DESIGN, MANUFACTURE OR PROCUREMENT WITHOUT THE WRITTEN PERMISSION OF LEADERTECH. LEADERTECH DOES NOT GUARANTEE OR WARRANTY THE PERFORMANCE CHARACTERISTICS.

8 7 6 5 4 3 2 1