

10135287 - 10X LF

LEAD-FREE DESIGNATION  
ONLY WITH APPLICABLE  
PLATING CODES

SEE NOTE 2

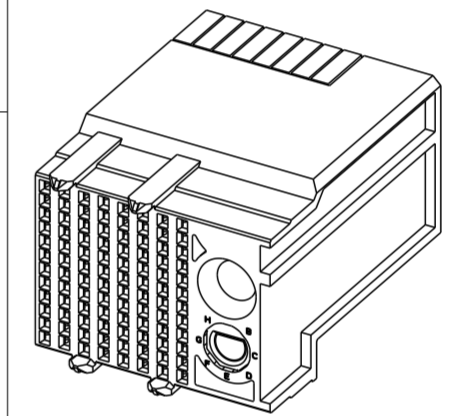
MODULE  
DESCRIPTION

LETTER DESIGNATION REPRESENTED IN DASH NUMBER

BASE  
MODULE

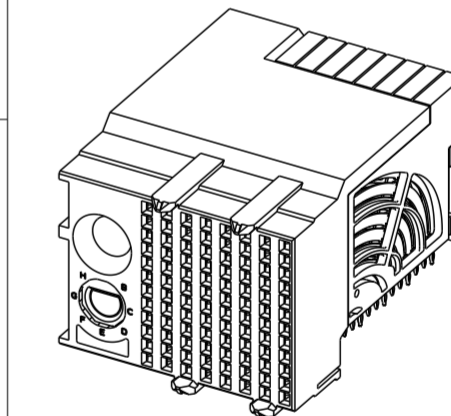
LEFT  
POLARIZING  
GUIDANCE  
MODULE  
(SEE SHEET 3)

<b>N</b>	<b>J</b> (NO KEY)	<b>A</b>	<b>B</b>	<b>C</b>	<b>D</b>	<b>E</b>	<b>F</b>	<b>G</b>	<b>H</b>
NO KEY NO GUIDE PIN									



RIGHT  
POLARIZING  
GUIDANCE  
MODULE  
(SEE SHEET 2)

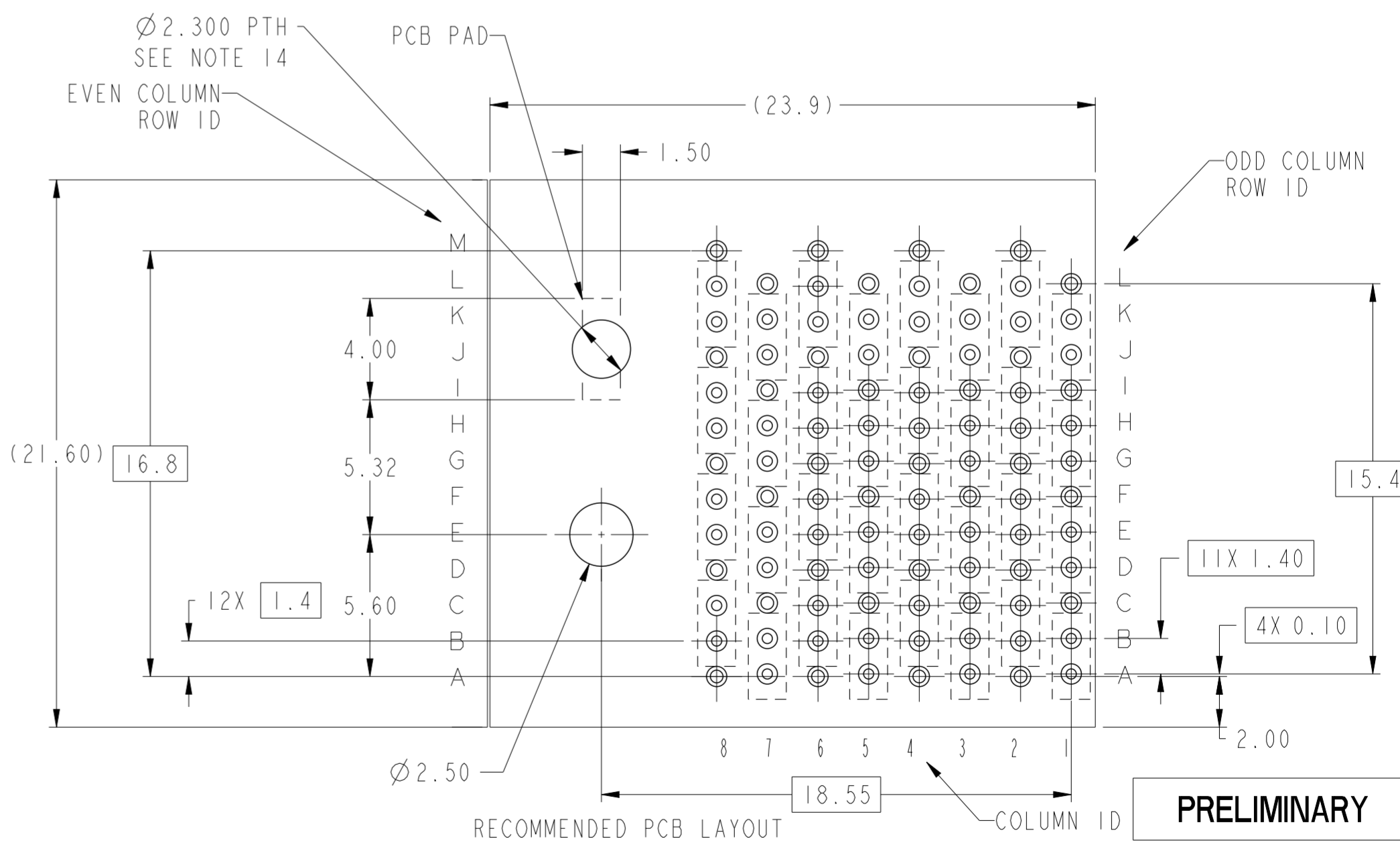
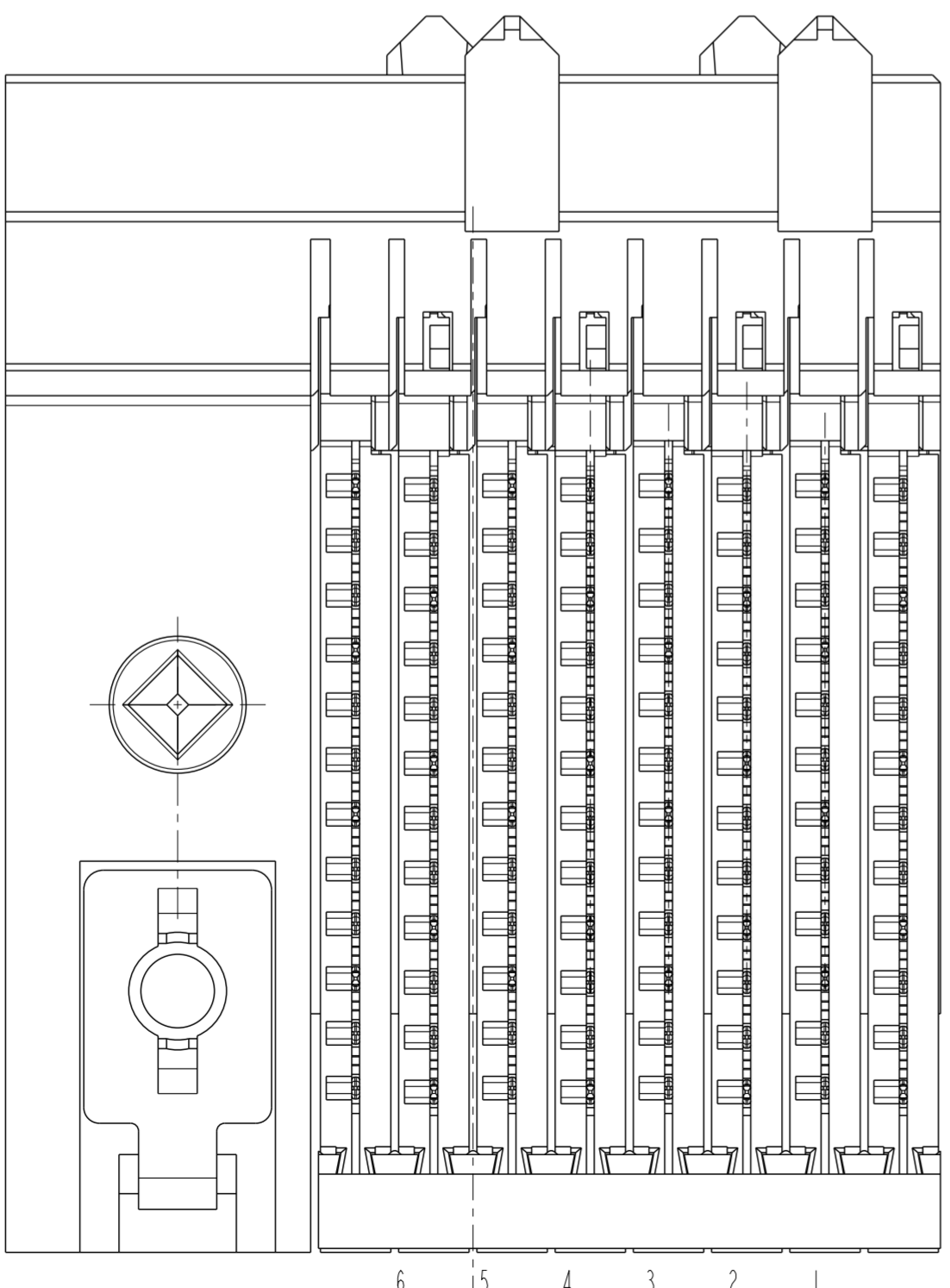
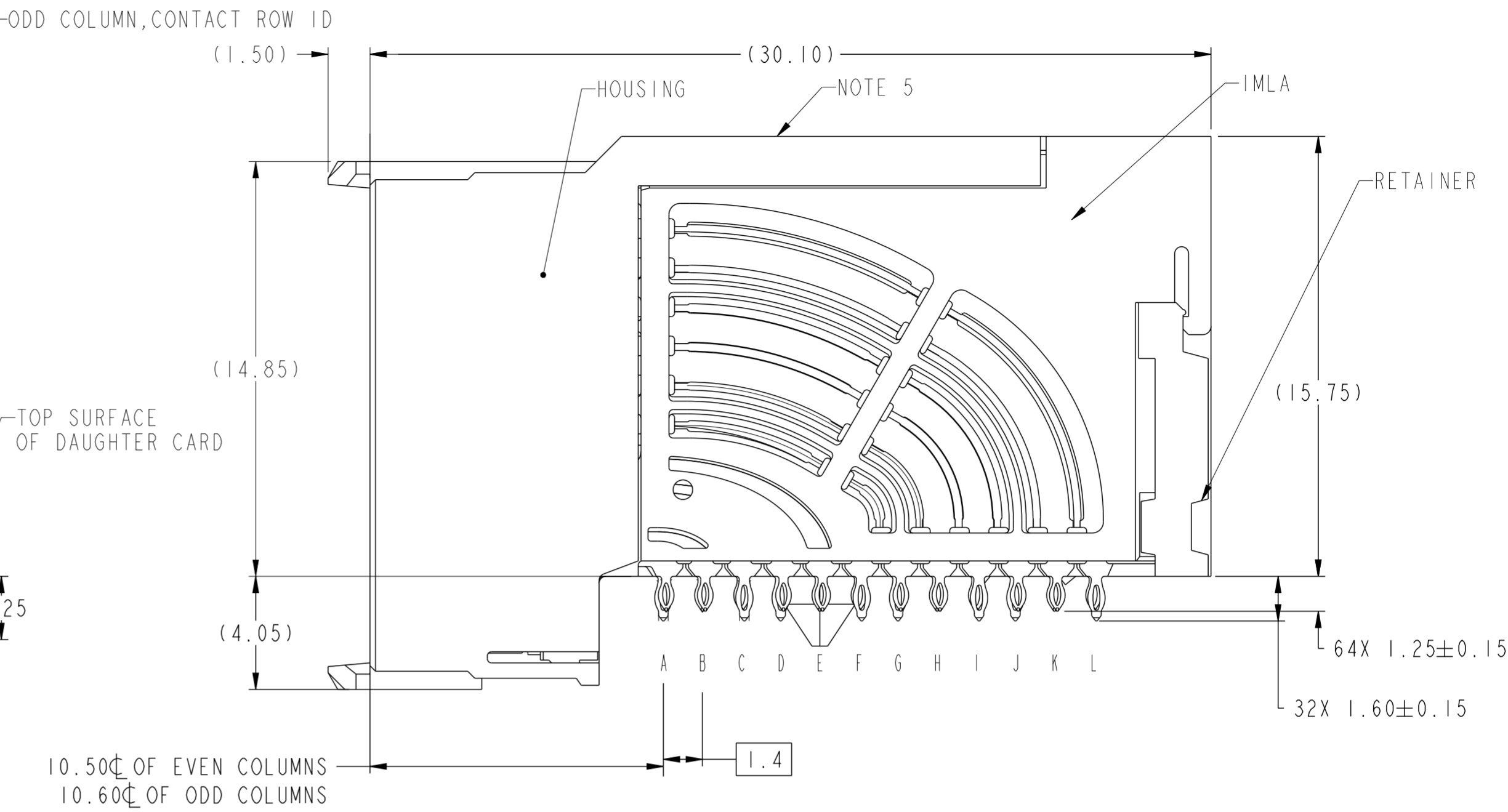
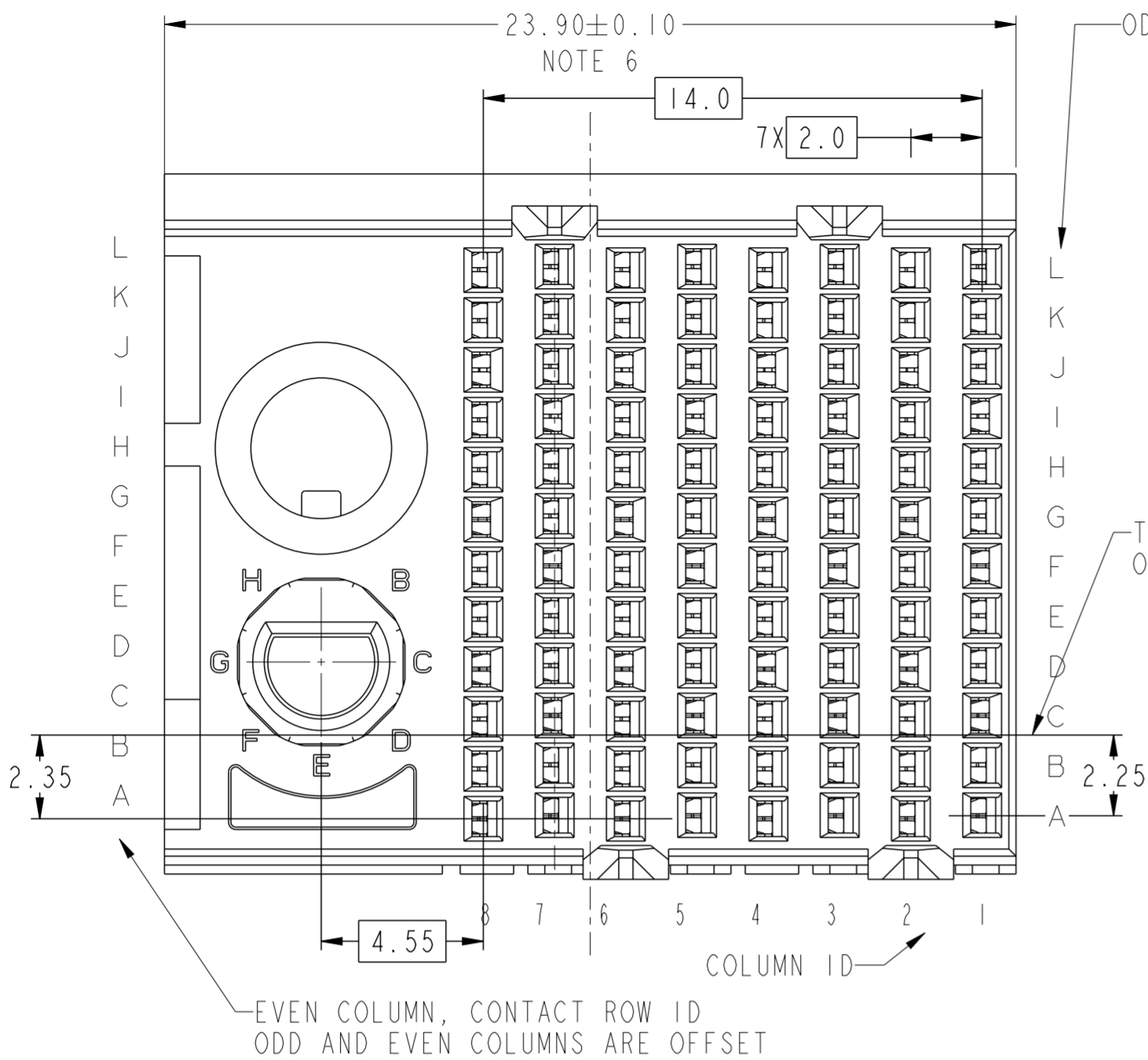
<b>Z</b>	<b>Y</b> (NO KEY)	<b>P</b>	<b>Q</b>	<b>R</b>	<b>S</b>	<b>T</b>	<b>U</b>	<b>V</b>	<b>W</b>
NO KEY NO GUIDE PIN									



NOT TOOLED  
PRELIMINARY

spec ref	---	dr	Tao Zhan	2015/05/26	projection	MM	size	A2	scale	8:1			
tolerance std	ASME Y14.5M	eng	Tao Zhan	2016/03/14	chr	-	ecn no	-	rel level	Preliminary			
surface	linear	0.X	±.3	Amphenol FCi	title	AIRMAX VSe R.A. RECEPTACLE	cat. no.	-	Product - Customer Drw	sheet 1 of 4			
	0.XX	±.15	divg no								10135287	rev	1
	0.XXX	±.050											
	angular	0°	±°										

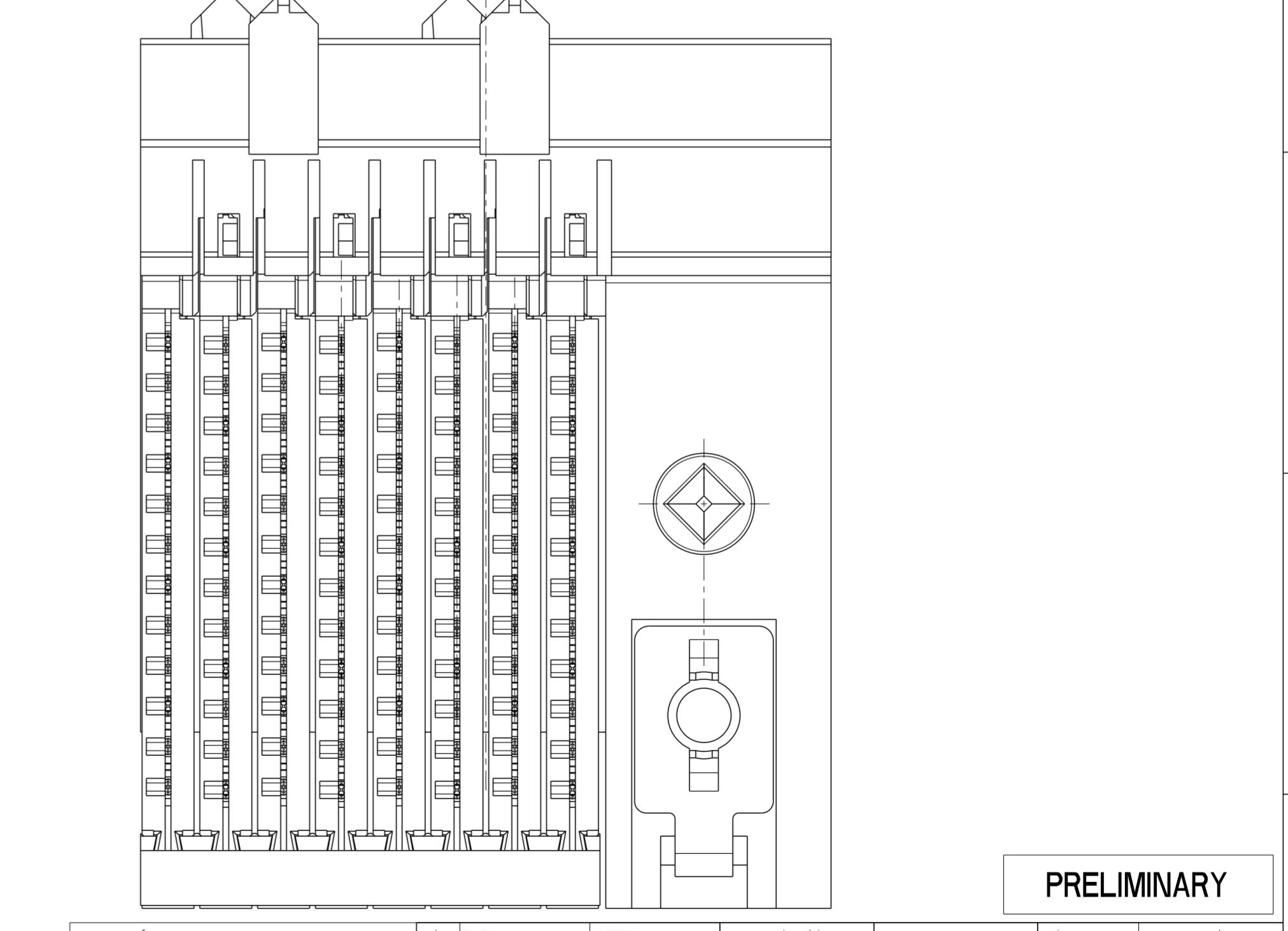
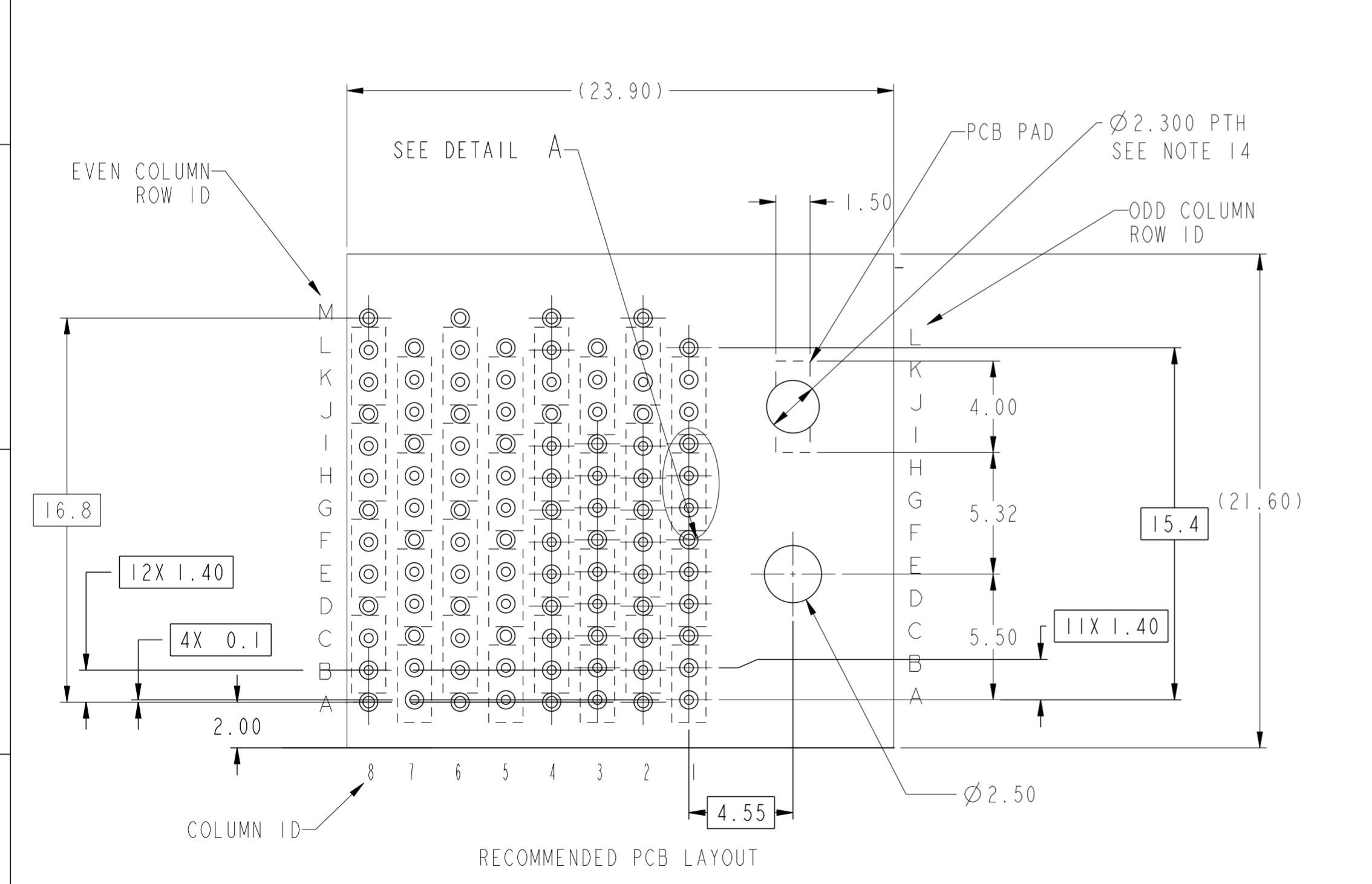
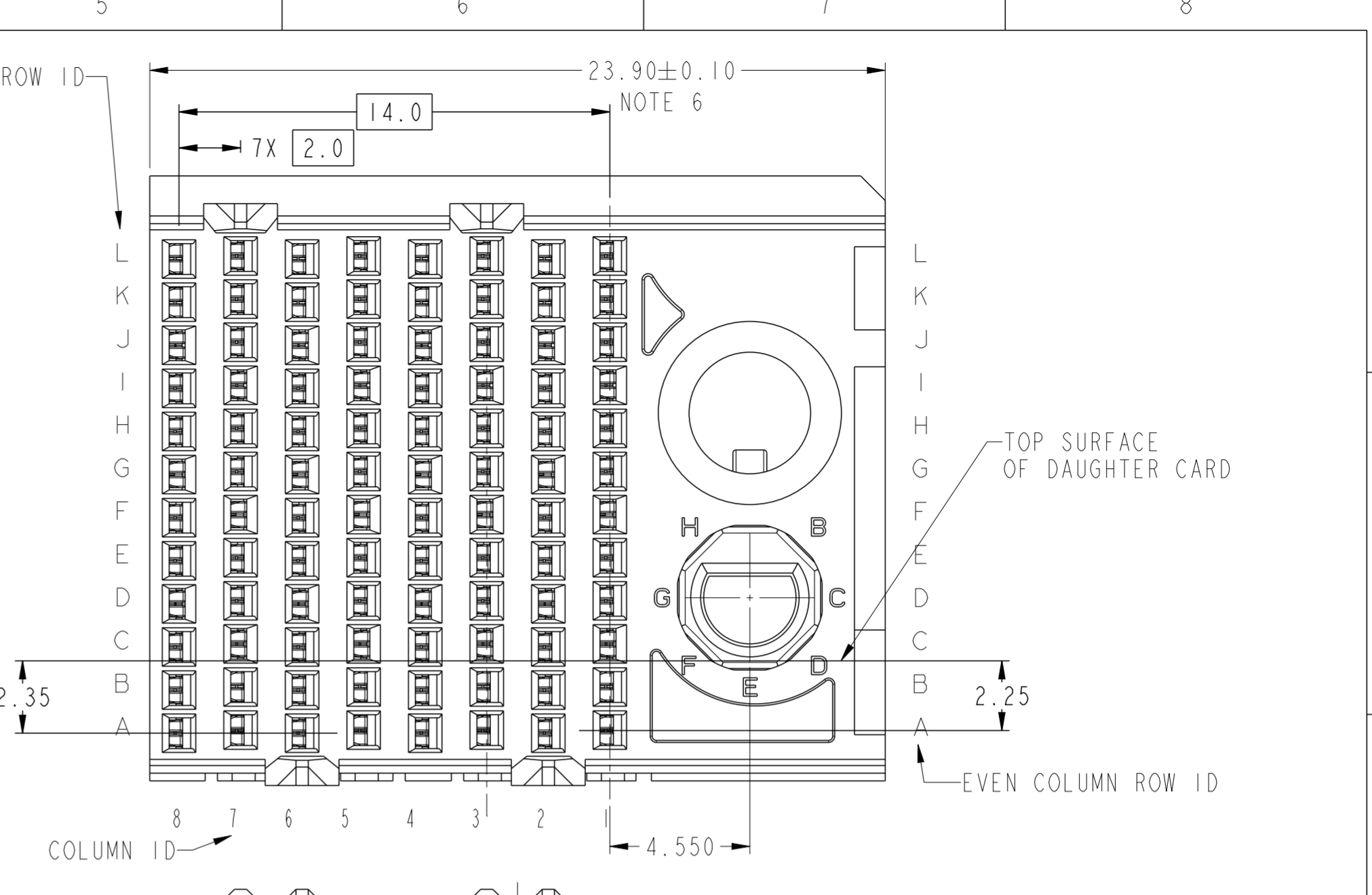
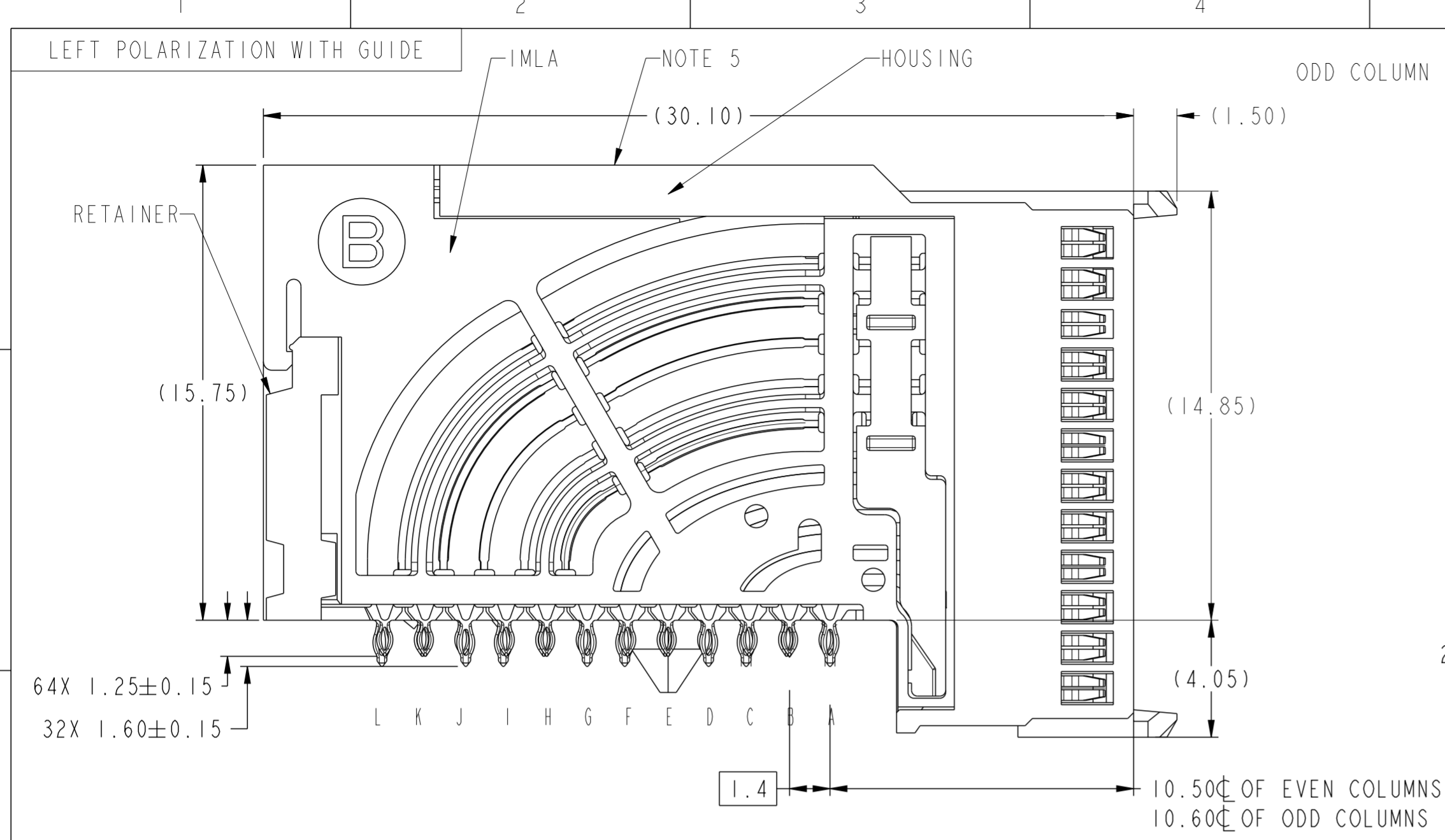
RIGHT POLARIZATION WITH GUIDE



spec ref	---	dr	Tao Zhan	2015/05/26	projection	MM	size	A2	scale	6:1
tolerance std	ASME Y14.5M	eng	Tao Zhan	2016/03/14	chr	-	ecn no	-	rel level	Preliminary
TOLERANCES UNLESS OTHERWISE SPECIFIED		appr	-	-	product family	AirMax VS2	cat. no.	-	Product - Customer Drw	sheet 2 of 4
surface	linear	0.X	±.3	Amphenol FCI	title	AIRMAX VSe R.A. RECEPTACLE	dwg no	10135287	rev	1
		0.XX	±.15							
		0.XXX	±.050							
	angular	0°	±°							

Amphenol FCI

© 2016 AFCI



**PRELIMINARY**


spec ref	---	dr	Tao Zhan	2015/05/26	projection	MM	size	A2	scale	8:1
tolerance std	ASME Y14.5M	eng	Tao Zhan	2016/03/14	chr	-	ecn no	-	rel level	Preliminary
tolerance	TOLERANCES UNLESS OTHERWISE SPECIFIED	appr	-	-	product family	AIRMAX VS2	title	AIRMAX VSe R.A. RECEPTACLE ASS'Y, 4 PAIR, 96 POS, 8 IMLA, 20MM, W/GUIDE/KEY		
surface	linear	0.X	±.3	Amphenol FCI	cat. no.	-	Product - Customer Drw	sheet 3 of 4	rev	1
		0.XX	±.15		10135287					
		0.XXX	±.050							
	angular	0°	±°							

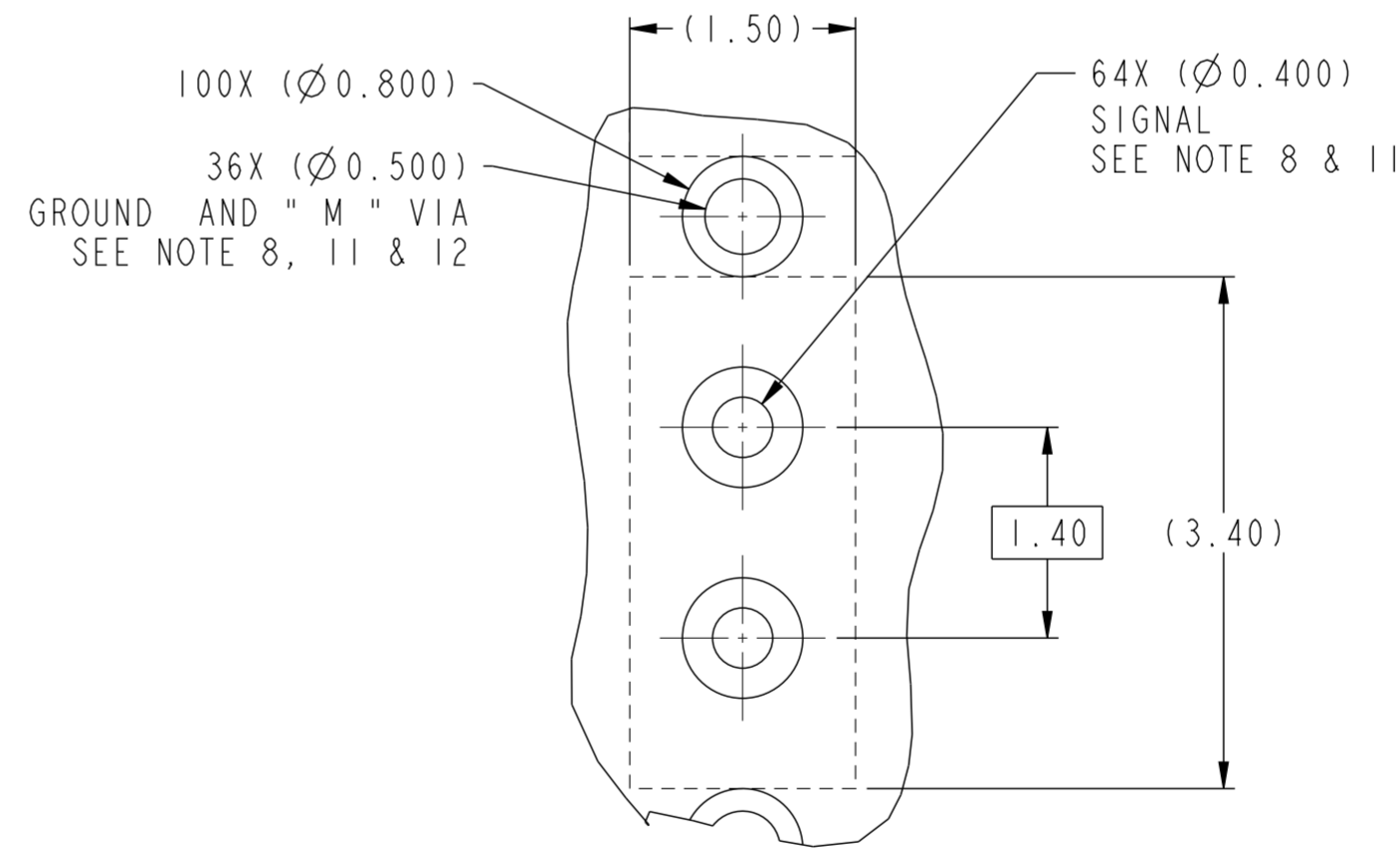
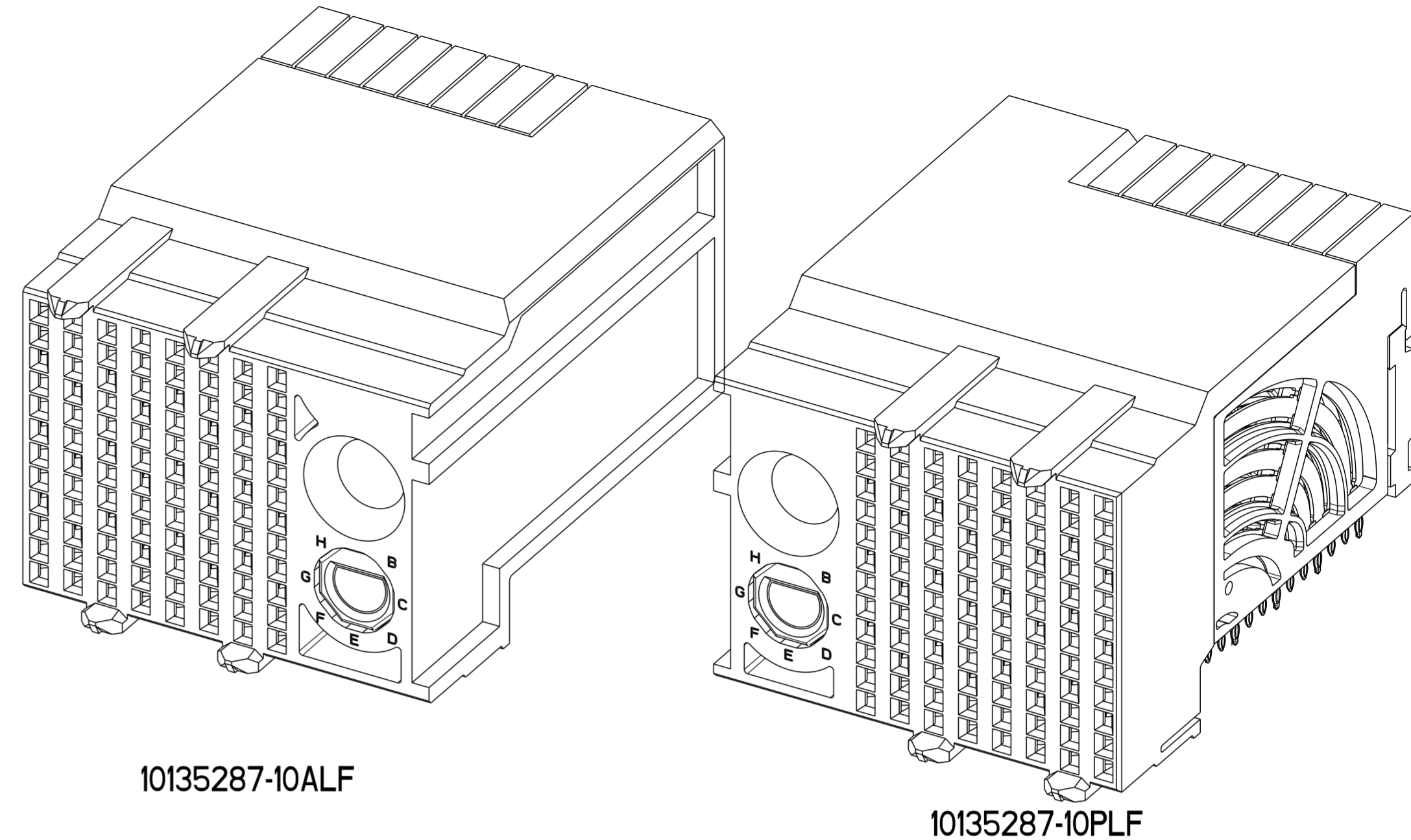
Amphenol FCI

© 2016 AFCI



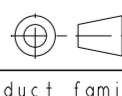
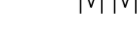

PRODUCT NUMBER	PRESS-FIT TAIL PLATING TYPE
10135287-10*LF	TIN OVER NICKEL (LEAD FREE)

- 1 - CONNECTOR MATERIALS:  
HOUSING: HIGH TEMP THERMOPLASTIC, NATURAL, UL94-V0  
IMLA PLASTIC: HIGH TEMP THERMOPLASTIC, BLACK, UL94-V0  
CONTACT: COPPER ALLOY  
ORGANIZER: HIGH TEMP THERMOPLASTIC, WHITE, UL94-V0
- 2 - CONTACT PLATING:  
SEPARABLE INTERFACE:  
PERFORMANCE-BASED PLATING, QUALIFIED TO MEET THE REQUIREMENTS OF FCI PRODUCT SPECIFICATION GS-12-0956 INCLUDING TELCORDIA GR-1217-CORE (NOVEMBER 1995) CENTRAL OFFICE TEST SEQUENCE
- PRESS-FIT TAILS: SEE TABLE
- 3 - PRODUCT SPECIFICATION: GS-12-0956
- 4 - APPLICATION SPECIFICATION: GS-20-0305.
- 5 - PRODUCT MARKING, (PART NUMBER & LOT CODE), ON THIS SURFACE.
- 6 - THE MINIMUM CENTERLINE SPACING BETWEEN ADJACENT MODULES IS 24.0 MM.
- 7 - CONNECTOR OUTLINE MAY BE SCREEN PRINTED ONTO CUSTOMER PCB TO BE USED AS A GUIDE FOR MANUAL CONNECTOR PLACEMENT.
- 8 - REFER TO CUSTOMER DRAWING 10104444 FOR INFORMATION ON PCB HOLE DIAMETERS AND PLATING OPTIONS
- 9 - LEAD FREE PRODUCT MEETS THE EUROPEAN UNION DIRECTIVES & OTHER COUNTRY REGULATIONS AS DESCRIBED IN GS-22-008
- 10 - PACKAGING MEETS GS-14-920 LEAD FREE LABELING SPECIFICATION.
- 11 - GROUND CONTACTS (C,F, AND I IN ODD COLUMNS AND A, D, AND G, EVEN COLUMNS) REQUIRE (Ø0.500) FINISHED HOLES. SIGNAL LOCATIONS REQUIRE (Ø0.400) FINISHED HOLES.
- 12 - THESE OUTER VIAS (M) ARE OPTIONAL. WHILE NO CONNECTOR EONS ARE PRESSED INTO THESE HOLES WE RECCOMEND (Ø0.500) FINISHED HOLES AT THESE LOCATIONS TO PROVIDE GROUND SYMMETRY THROUGH THE PCB.
- 13 - A  SYMBOL WILL BE NEXT TO ANY DIMENSION, VIEW, OR NOTE, WHICH HAS BEEN MODIFIED WITH THE CURRENT DRAWING REVISION
- 14 - CUSTOMER CAN FIX THE CONNECTOR WITH THREAD FORMING SCREW THROUGH THIS PTH. THE SCREW IS #2-32, THE VALID LENGTH OF SCREW IS 4.5MM PLUS THE THICKNESS OF PCB.



DETAIL A  
SCALE 20:1

**PRELIMINARY**

spec ref	---	dr	Tao Zhan	2015/05/26	projection	MM	size	A2	scale	6:1	
tolerance std	ASME Y14.5M	eng	Tao Zhan	2016/03/14			ecn no	-	rel level	Preliminary	
TOLERANCES UNLESS OTHERWISE SPECIFIED		chr	-	product family			AirMax VS2	title		AIRMAX VSe R.A. RECEPTACLE ASS'Y, 4 PAIR, 96 POS, 8 IMLA, 20MM, W/GUIDE/KEY	dwg no
surface	linear	0.X	±.3		cat. no.	-	Product - Customer Drw		sheet 4 of 4		
		0.XX	±.15								
	angular	0°	±°								