

Model

LS530-RH

12 Volt Input

Dual Tube CCFT Inverter

Brightness Control

RoHS COMPLIANT

Physical Specifications

Dimensions:	20mm x 130mm x 14mm (0.787" x 5.12" x 0.551")
Weight:	36g (1.28 oz.)
Operating Temp:	0 to 60°C, convection cooling
Relative Humidity:	20% to 90%, non-condensing
Storage:	-20 to 85°C/5-95% RH
Impact Resistance:	50G half wave per 2 msec
Vibration Resistance:	10-55-10 Hz/min @ 1.5mm



Input Specifications*

Item	Condition	Standard		
		MIN	TYP	MAX
Input Voltage Rated Tolerance	—	12 Vdc	—	—
	Continuous Operation Starting Condition (Discharge Starting Voltage)	9.6 Vdc - 14.4 Vdc	—	—
Input Current	V _{IN} = 12.0 Vdc, V _{BR} = 0 V Luminance @ Max.	0.65 A	—	—
Rush Current	V _{IN} = 14.4 Vdc Luminance @ Max.	5.0 A zero-p/20 μS or less	—	—
Max. Input Power	V _{IN} = 12.0 Vdc, V _{BR} = 0 V Luminance @ Max.	8 W	—	—
On/Off Input Current	On/Off L = 0.0 - 0.4 Vdc V _{IN} = 14.4 Vdc	I _{low} = -0.45 mA or more (Lamp Lighting)	—	—
	On/Off H = Open or V _{IN}	— (Lamp Off)	—	—

*Above Specifications Occur @ 25 ± 5°C

Output Specifications*

Item	Condition	Standard		
		MIN	TYP	MAX
Output Voltage (Vrms)	V _{IN} = 9.6 Vdc, V _{BR} = 0 V	1500	—	—
Tube Current (mArms)	Luminance @ Max. (V _{IN} = 12.0 V, V _{BR} = 0 V)	—	7.0	—
	Luminance @ Min. (V _{IN} = 12.0 V, V _{BR} = 2.5 V)	—	3.0	—
Max. Power Output (W)	V _{IN} = 12 Vdc/Luminance @ Max.	—	—	4.0
Ignition Frequency (kHz)	Luminance @ Max.	—	60	—

*Above specifications occur @ 25 ± 5°C & V_{IN} = 9.6 - 15 Vdc.

Model

LS530-RH

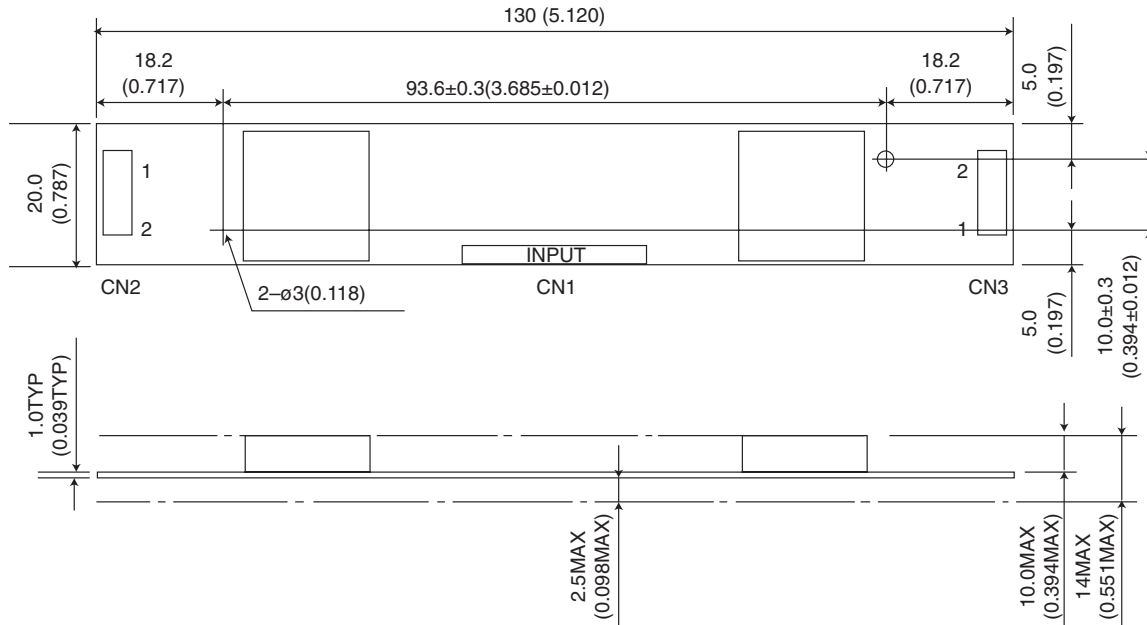
Insulating Withstand Voltage

Item	Rating	Description
Insulating Withstand Voltage	Primary - Secondary	2.0 kVA Impulse
Insulating Resistance	Primary - Secondary Winding - Core	500 Vdc More than 100 MΩ

* Apply voltage to pin 6.

Luminance Variance

Item	Condition	Applied Voltage	Output Current
Luminance @ Max.	Btwn. pin 6 & 7	Vbr = 0.0 V	7.0 mA
Luminance @ Min.	Btwn. pin 6 & 7	Vbr = 2.5 V	3.0 mA



© Copyright 2007 TAIYO YUDEN (U.S.A.), INC. Specifications subject to change without notice.

TAIYO YUDEN

TAIYO YUDEN (U.S.A.), INC.
440 Stevens Avenue, Suite 300 Solana Beach, CA 92075
(858) 350-6800 / Fax: (858) 350-6854
(800) 263-4532 www.t-yuden.com inverters@t-yuden.com



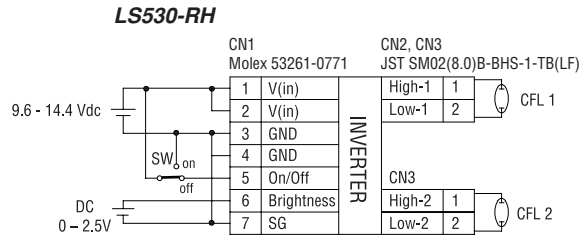
FM 32227

Model

LS530-RH

Tech Notes

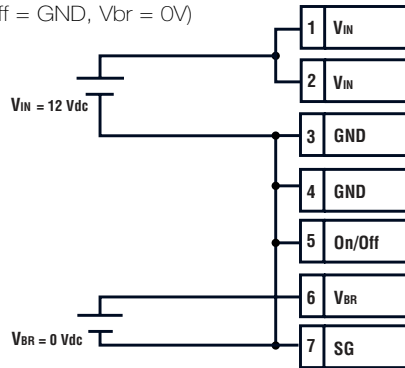
Connection Diagram



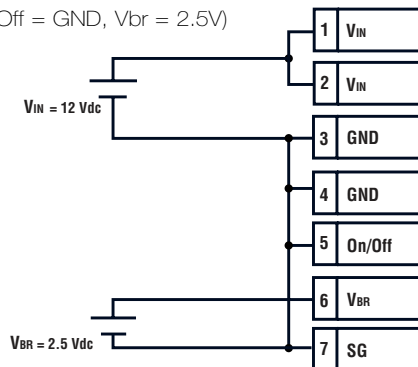
DC Brightness Control Method*

Maximum output current can be adjusted by applying bias voltage or using a variable resistor as shown below.

$I_{out} = 7mA$ ($V_{in} = 12V$, On/Off = GND, $V_{br} = 0V$)



$I_{out} = 3mA$ ($V_{in} = 12V$, On/Off = GND, $V_{br} = 2.5V$)



© Copyright 2007 TAIYO YUDEN (U.S.A.), INC. Specifications subject to change without notice.

TAIYO YUDEN

TAIYO YUDEN (U.S.A.), INC.
440 Stevens Avenue, Suite 300 Solana Beach, CA 92075
(858) 350-6800 / Fax: (858) 350-6854
(800) 263-4532 www.t-yuden.com inverters@t-yuden.com

