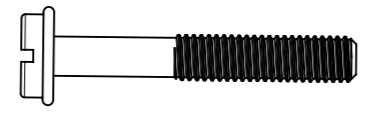
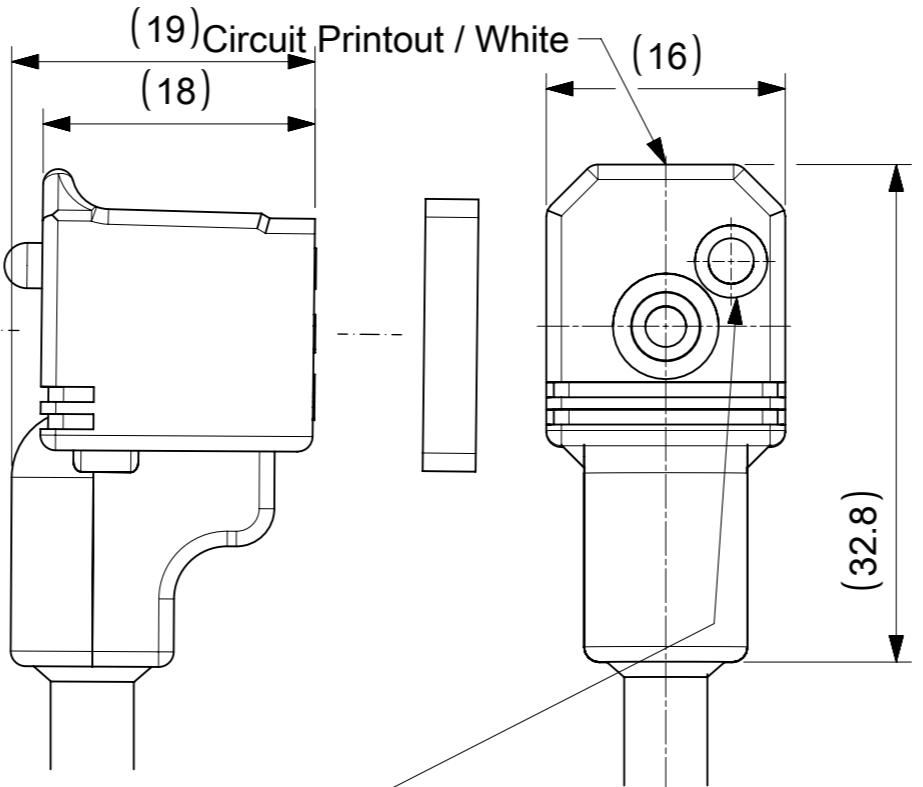


See table & PN KEY for Types of Screws and Gaskets

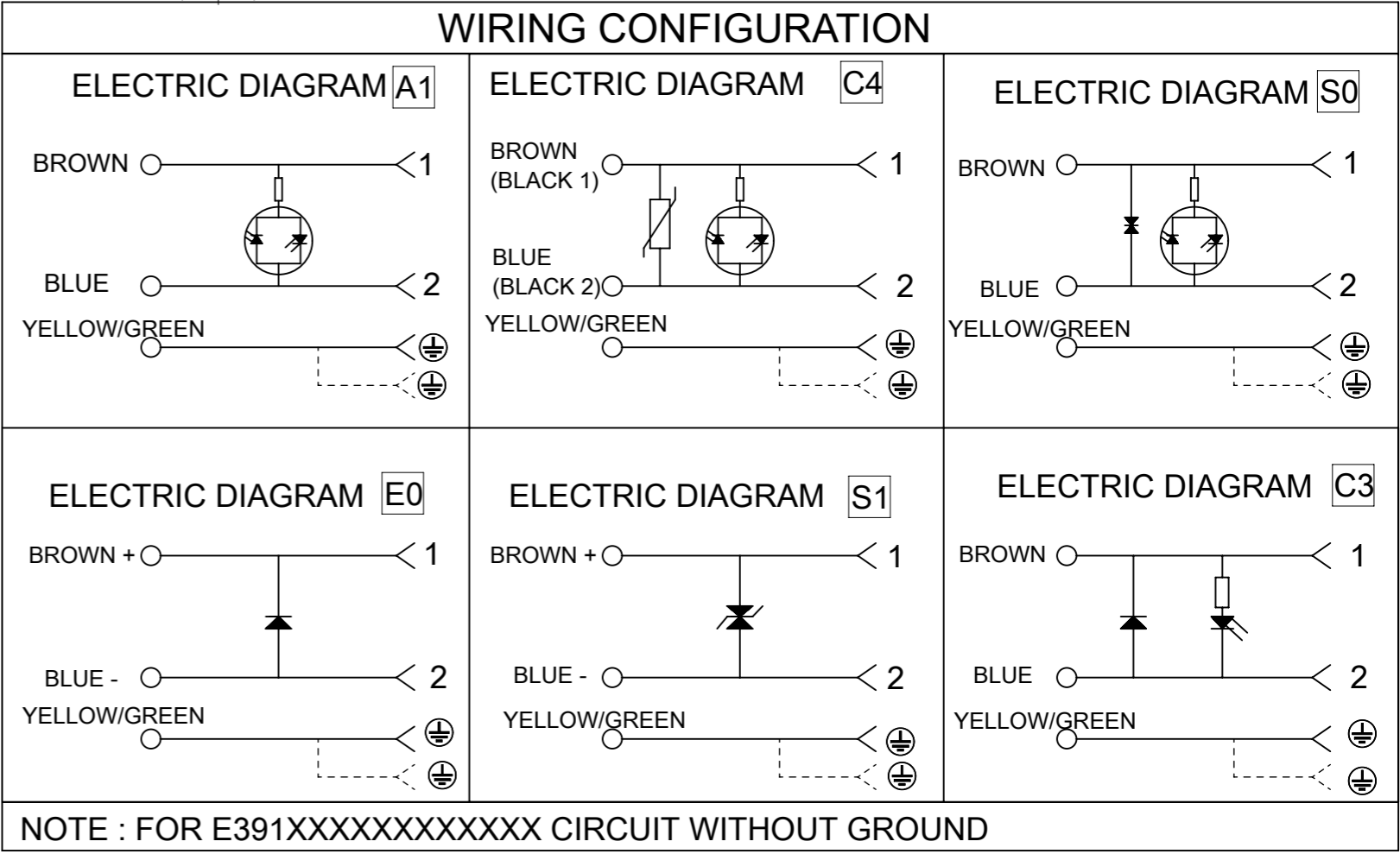


FACE VIEW  
SEE INSERT ORIENTATION



NOTE : IN THE CASE OF E0 , S1 CIRCUITS DIN CONNECTOR WITHOUT LED

| INSERT ORIENTATION                    |                                  |                                     |
|---------------------------------------|----------------------------------|-------------------------------------|
| EARTH ON 6H & 12H<br>E39XXXXXXXX1XXXX | EARTH ON 12H<br>E39XXXXXXXX2XXXX | EARTH PIN ON 6H<br>E39XXXXXXXX6XXXX |
|                                       |                                  |                                     |



NOTE : FOR E391XXXXXXXXXXXXX CIRCUIT WITHOUT GROUND

| TYPES OF SCREWS AND GASKETS |                 |             |
|-----------------------------|-----------------|-------------|
| Flat Gasket                 | Profiled Gasket | Screw M3x20 |
|                             |                 |             |
|                             |                 | Screw M3x20 |
|                             |                 |             |
|                             |                 | NBR Washer  |
|                             |                 |             |

|   |       |                              |         |                                    |                 |                |
|---|-------|------------------------------|---------|------------------------------------|-----------------|----------------|
| THIS DRAWING CONTAINS INFORMATION THAT IS PROPRIETARY TO MOLEX ELECTRONIC TECHNOLOGIES, LLC AND SHOULD NOT BE USED WITHOUT WRITTEN PERMISSION |       | CURRENT REV DESC:            |         | <b>molex</b>                       |                 |                |
| DIMENSION UNITS   | SCALE | EC NO: 723299                |         |                                    |                 |                |
| mm  | 2:1   | DRWN: APAWLAK01 2022/09/30   |         | E39XXXXXXXXXXXXX<br>DIN FORM MICRO |                 |                |
| GENERAL TOLERANCES (UNLESS SPECIFIED)   |       | CHK'D: RSILLER 2022/09/30    |         | PRODUCT CUSTOMER DRAWING           |                 |                |
| ANGULAR TOL   | ± °   | APPR: RSILLER 2022/09/30     |         | DOCUMENT NUMBER                    |                 |                |
| 4 PLACES  | ±     | INITIAL REVISION:            |         | SD-121050-007                      |                 |                |
| 3 PLACES  | ±     | DRWN: JMARSZALEK 2012/11/28  |         | DOC TYPE                           |                 |                |
| 2 PLACES  | ±     | APPR: MIWASIECZKO 2013/02/12 |         | PSD                                |                 |                |
| 1 PLACE   | ±     |                              |         | DOC PART                           |                 |                |
| 0 PLACES  | ±     |                              |         | 001                                |                 |                |
| DRAFT WHERE APPLICABLE MUST REMAIN WITHIN DIMENSIONS  |       | THIRD ANGLE PROJECTION       | DRAWING | SERIES                             | MATERIAL NUMBER | CUSTOMER       |
|   |       |                              | A3-SIZE | 121050                             | SEE TABLE       | GENERAL MARKET |
|   |       |                              |         |                                    |                 | SHEET NUMBER   |
|   |       |                              |         |                                    |                 | 1 OF 3         |

# PART NO MATRIX :

**E 3 9 X X X X X X X X X X X X X**

E - Packing without bag

Number of wires:  
1- 2 Wires  
2- 2 Wires + Earth  
3- 3 Wires + Earth

Cable type:  
See Cable List

Head Colour :  
G - Grey  
N - Black  
T - Transparent  
A - CSA-UL Black  
B - CSA-UL Grey

Cable Length [cm]:  
050 = 50cm  
300 = 300cm  
10K = 1000cm

Internal Circuit :  
See Wiring Configuration

Voltage and LED Color :

|          |          |          |
|----------|----------|----------|
| 1 - 12V  | A - 12V  | G - 12V  |
| 2 - 24V  | B - 24V  | H - 24V  |
| 3 - 48V  | C - 48V  | K - 48V  |
| 4 - 115V | D - 115V | L - 115V |
| 5 - 230V | E - 230V | M - 230V |

RED LED GREEN LED YELLOW LED

Earth PIN location (see insert orientation table):  
1 = Double Earth on H6 & H12  
2 = Earth on H12  
6 = Earth on H6

Type of Gasket and Screw (see sheet 1) :  
1 = NBR Profile Gasket + Fixing Screw (M3x20mm)  
2 = NBR Flat Gasket + Fixing Screw (M3x20mm)  
3 = Silicone Profile Gasket + Fixing Screw (M3x20mm)  
4 = Silicone Profile Gasket + Screw (M3x20mm)  
T = NBR Profile Gasket + Fixing Screw with Washer (M3x20mm)

## CABLE LIST

| MOLEX PN   | NO. OF WIRES CODE (SEE PN MATRIX) | CABLE TYPE | NO. OF WIRES | CROSS SECTION       | CABLE O.D.   | CABLE JACKET | WIRES COLOR       |
|------------|-----------------------------------|------------|--------------|---------------------|--------------|--------------|-------------------|
| 1210180467 | 1                                 | A2         | 2            | AWG 20              | ∅5.4±0.2 mm  | PVC BLACK    | BN, BU            |
| 1210180128 | 2                                 | A2         | 3            | AWG 20              | ∅5.6±0.2 mm  | PVC BLACK    | BN, BU, GN/YE     |
| 1210180394 | 3                                 | A2         | 4            | AWG 20              | ∅6.2±0.25 mm | PVC BLACK    | BN, BU, BK, GN/YE |
| 1210180047 | 1                                 | I2         | 2            | 0.5mm <sup>2</sup>  | ∅5.5+0.3 mm  | PVC GREY     | BN, BU            |
| 1210180284 | 2                                 | I2         | 3            | 0.5mm <sup>2</sup>  | ∅5.5+0.3 mm  | PVC GREY     | BN, BU, GN/YE     |
| 1210180146 | 3                                 | I2         | 4            | 0.5mm <sup>2</sup>  | ∅6.5+0.2 mm  | PVC GREY     | BN, BU, BK, GN/YE |
| 1210180022 | 1                                 | N2         | 2            | 0.5mm <sup>2</sup>  | ∅5.2±0.2 mm  | PVC BLACK    | BN, BU            |
| 1202092753 | 2                                 | N2         | 3            | 0.5mm <sup>2</sup>  | ∅5.5±0.2 mm  | PVC BLACK    | BN, BU, GN/YE     |
| 1210180153 | 3                                 | N2         | 4            | 0.5mm <sup>2</sup>  | ∅5.9±0.3 mm  | PVC BLACK    | BN, BU, BK, GN/YE |
| 1202092439 | 2                                 | P2         | 3            | 0.5mm <sup>2</sup>  | ∅5.5+0.3 mm  | PUR BLACK    | BN, BU, GN/YE     |
| 1210180302 | 3                                 | P2         | 4            | 0.5mm <sup>2</sup>  | ∅6.5±0.2 mm  | PUR BLACK    | BN, BU, BK, GN/YE |
| 1202094190 | 1                                 | P3         | 2            | 0.75mm <sup>2</sup> | ∅6.5±0.2 mm  | PUR BLACK    | BN, BU            |
| 1210180126 | 2                                 | B2         | 3            | AWG 20              | ∅5.6±0.2 mm  | PUR BLACK    | BN, BU, GN/YE     |
| 1210180016 | 1                                 | IA         | 2            | 0.25mm <sup>2</sup> | ∅3.5±0.15mm  | PVC GREY     | BN, BU            |
| 1202090957 | 2                                 | I8         | 3            | 0.5mm <sup>2</sup>  | ∅5.5±0.2 mm  | PVC GREY     | BN, BU, GN/YE     |

THIS DRAWING CONTAINS INFORMATION THAT IS PROPRIETARY TO MOLEX ELECTRONIC TECHNOLOGIES, LLC AND SHOULD NOT BE USED WITHOUT WRITTEN PERMISSION

|  |                        |                              |        |                                 |                |              |
|--|------------------------|------------------------------|--------|---------------------------------|----------------|--------------|
| DIMENSION UNITS                                      | SCALE                  | CURRENT REV DESC:            |        | <b>molex</b>                    |                |              |
| mm   | 2:1                    |                              |        |                                 |                |              |
| GENERAL TOLERANCES (UNLESS SPECIFIED)                |                        | EC NO: 723299                |        | E39XXXXXXXXXX<br>DIN FORM MICRO |                |              |
| ANGULAR TOL  | ± °                    | DRWN: APAWLAK01 2022/09/30   |        | PRODUCT CUSTOMER DRAWING        |                |              |
| 4 PLACES   | ±                      | CHK'D: RSILLER 2022/09/30    |        | DOCUMENT NUMBER                 |                |              |
| 3 PLACES   | ±                      | APPR: RSILLER 2022/09/30     |        | SD-121050-007                   |                |              |
| 2 PLACES   | ±                      | INITIAL REVISION:            |        | DOC TYPE DOC PART REVISION      |                |              |
| 1 PLACE  | ±                      | DRWN: JMARSZALEK 2012/11/28  |        | PSD 001 C2                      |                |              |
| 0 PLACES   | ±                      | APPR: MIWASIECZKO 2013/02/12 |        | SHEET NUMBER                    |                |              |
| DRAFT WHERE APPLICABLE MUST REMAIN WITHIN DIMENSIONS | THIRD ANGLE PROJECTION | DRAWING                      | SERIES | MATERIAL NUMBER                 | CUSTOMER       | SHEET NUMBER |
|  |                        | A3-SIZE                      | 121050 | SEE TABLE                       | GENERAL MARKET | 2 OF 3       |


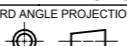
PART LIST :

| MOLEX PN   | ENGINEERING NO. | LENGTH in MM |
|------------|-----------------|--------------|
| 1210500022 | E392A2A30011C4H | 3000         |
| 1210500023 | E392A2A30011C4L | 3000         |
| 1210500033 | E392I2N10012A1H | 1000         |
| 1210500034 | E392I2N10K11C4H | 10000        |
| 1210500043 | E392I2N25011C4H | 2500         |
| 1210500046 | E392I2N30011C42 | 3000         |
| 1210500047 | E392I2N30011C4H | 3000         |
| 1210500050 | E392I2N36011C4H | 3600         |
| 1210500051 | E392I2N50011C3H | 5000         |
| 1210500053 | E392I2N50011C4H | 5000         |
| 1210500062 | E392N2N05012E05 | 500          |
| 1210500076 | E392N2N10011C4H | 1000         |
| 1210500078 | E392N2N10012C42 | 1000         |
| 1210500082 | E392N2N10012C4H | 1000         |
| 1210500083 | E392N2N10012C4L | 1000         |
| 1210500102 | E392N2N10K21C4B | 10000        |
| 1210500104 | E392N2N10K61C4B | 10000        |
| 1210500126 | E392N2N20011A1H | 2000         |
| 1210500129 | E392N2N20011C42 | 2000         |
| 1210500131 | E392N2N20011C4B | 2000         |
| 1210500135 | E392N2N20011C4H | 2000         |
| 1210500136 | E392N2N20011S0H | 2000         |
| 1210500139 | E392N2N20014C43 | 2000         |
| 1210500150 | E392N2N20021C4B | 2000         |
| 1210500151 | E392N2N20021C4D | 2000         |
| 1210500157 | E392N2N20061C4B | 2000         |
| 1210500170 | E392N2N30011A12 | 3000         |
| 1210500173 | E392N2N30011C42 | 3000         |
| 1210500177 | E392N2N30011C4H | 3000         |
| 1210500180 | E392N2N30012C43 | 3000         |
| 1210500181 | E392N2N30012C4B | 3000         |
| 1210500184 | E392N2N30012C4H | 3000         |
| 1210500185 | E392N2N30012C4L | 3000         |

| MOLEX PN   | ENGINEERING NO. | LENGTH in MM |
|------------|-----------------|--------------|
| 1210500202 | E392N2N50011A12 | 5000         |
| 1210500206 | E392N2N50011C42 | 5000         |
| 1210500211 | E392N2N50011C4E | 5000         |
| 1210500212 | E392N2N50011C4H | 5000         |
| 1210500215 | E392N2N50012C42 | 5000         |
| 1210500217 | E392N2N50012C4H | 5000         |
| 1210500218 | E392N2N50012C4L | 5000         |
| 1210500225 | E392N2N50021C4B | 5000         |
| 1210500226 | E392N2N50021C4D | 5000         |
| 1210500229 | E392N2N50061C4B | 5000         |
| 1210500232 | E392P2N10012C4H | 1000         |
| 1210500233 | E392P2N10012C4L | 1000         |
| 1210500236 | E392P2N20011C4B | 2000         |
| 1210500238 | E392P2N30011C4H | 3000         |
| 1210500239 | E392P2N30012C4H | 3000         |
| 1210500240 | E392P2N30012C4L | 3000         |
| 1210500243 | E392P2N50012C4H | 5000         |
| 1210501580 | E392I2N06011C42 | 600          |
| 1210501660 | E392I2N10011C4H | 1000         |
| 1210501686 | E392B2A11011C4H | 1100         |
| 1210501692 | E392P2N06011C4H | 600          |
| 1210501697 | E392I2N20011C32 | 2000         |
| 1210501736 | E392N2N15K12C4H | 15000        |
| 1210501745 | E392B2A20011C4H | 2000         |
| 1210501803 | E392B2A50011C4H | 5000         |
| 1210501987 | E392P2N11011C4H | 1100         |
| 1210502197 | E392N2N2001TA1H | 2000         |
| 1210502257 | E392I2N10012C4H | 1000         |
| 1210502268 | E392A2A20011S0H | 2000         |
| 1210502269 | E392N2N10K11C4H | 10000        |
| 1210502303 | E392N2N05021C32 | 500          |
| 1210502315 | E391IAN03011C4H | 300          |
| 1210502342 | E392A2A06011C4H | 600          |

| MOLEX PN   | ENGINEERING NO.   | LENGTH in MM |
|------------|-------------------|--------------|
| 1210502422 | E392N2N30011C4L   | 3000         |
| 1210502500 | E392P2N10011C4H   | 1000         |
| 1210502556 | E392N2N20K11C4H   | 20000        |
| 1210502563 | E392I2N50011C44   | 5000         |
| 1210502610 | E392A2A50011S0H   | 5000         |
| 1210502630 | E392I2N20011S12   | 2000         |
| 1210502645 | E392B2A10K11C4H   | 10000        |
| 1210502655 | E392N2N30011A1H   | 3000         |
| 1210502657 | E391A2A10011E05   | 1000         |
| 1210502663 | E392N2N06011C4H   | 600          |
| 1210502674 | E392I2N20012S12   | 2000         |
| 1210502978 | E391N2N15011A12   | 1500         |
| 1210503052 | E392A2A10011S0H   | 1000         |
| 1210503055 | E392P2N03511C4H   | 350          |
| 1210503293 | E392I2N15K11C4H   | 15000        |
| 1210503304 | E392I2N50011C4L   | 5000         |
| 1210503314 | E392N2N50011C4L   | 5000         |
| 1210503324 | E392N2N10K11C45   | 10000        |
| 1210503349 | E392P2N20011C4H   | 2000         |
| 1210503355 | E392N2N30011C4M   | 3000         |
| 1210503408 | E392A2A50011C4H   | 5000         |
| 1210503427 | E392N2N10012C4M   | 1000         |
| 1210503437 | E392P2N10011C4L   | 1000         |
| 1210503438 | E392P2N10011C4M   | 1000         |
| 1210503458 | E392I2N20012C42   | 2000         |
| 1210503459 | E392I2N50012C42   | 5000         |
| 1210503462 | E392I2N30012C45   | 3000         |
| 1210503472 | E392N2N10011C4M   | 1000         |
| 1210503528 | E392A2A20011C4H   | 2000         |
| 1210503530 | E392P2N10K11S0H   | 10000        |
| 1210503557 | E392N2N50011C45   | 5000         |
| 1210503592 | E391N2N01512C4B   | 150          |
| 1210503613 | E392I2N30011C426B | 3000         |

| OVER  | UP TO AND INCLUDING | TOLERANCE |
|-------|---------------------|-----------|
| 0     | 1000                | ±20       |
| 1000  | 3000                | ±30       |
| 3000  | 5000                | ±40       |
| 5000  | 10000               | ±50       |
| 10000 | 15000               | ±100      |
| 15000 | 20000               | ±150      |
| 20000 |                     | ±L/100    |

|   |  |       |  |   |  |                 |  |   |  |
|---|--|-------|--|---|--|-----------------|--|---|--|
| THIS DRAWING CONTAINS INFORMATION THAT IS PROPRIETARY TO MOLEX ELECTRONIC TECHNOLOGIES, LLC AND SHOULD NOT BE USED WITHOUT WRITTEN PERMISSION |  |       |  |   |  |                 |  |   |  |
| DIMENSION UNITS   |  | SCALE |  | CURRENT REV DESC:   |  |                 |  |  |  |
| mm  |  | 2:1   |  |   |  |                 |  |   |  |
| GENERAL TOLERANCES (UNLESS SPECIFIED)   |  |       |  | EC NO: 723299   |  |                 |  | E39XXXXXXXXXXXXX  |  |
| ANGULAR TOL ± °   |  |       |  | DRWN: APAWLAK01 2022/09/30  |  |                 |  | DIN FORM MICRO  |  |
| 4 PLACES ±  |  |       |  | CHK'D: RSILLER 2022/09/30   |  |                 |  | PRODUCT CUSTOMER DRAWING  |  |
| 3 PLACES ±  |  |       |  | APPR: RSILLER 2022/09/30  |  |                 |  | DOCUMENT NUMBER   |  |
| 2 PLACES ±  |  |       |  | INITIAL REVISION:   |  |                 |  | SD-121050-007   |  |
| 1 PLACE ±   |  |       |  | DRWN: JMARSZALEK 2012/11/28   |  |                 |  | DOC TYPE  |  |
| 0 PLACES ±  |  |       |  | APPR: MIWASIECZKO 2013/02/12  |  |                 |  | DOC PART  |  |
| DRAFT WHERE APPLICABLE MUST REMAIN WITHIN DIMENSIONS  |  |       |  | THIRD ANGLE PROJECTION  |  | DRAWING         |  | REVISION  |  |
|   |  |       |  |  |  | A3-SIZE         |  | C2  |  |
|   |  |       |  | SERIES  |  | MATERIAL NUMBER |  | SHEET NUMBER  |  |
|   |  |       |  | 121050  |  | SEE TABLE       |  | 3 OF 3  |  |
|   |  |       |  | CUSTOMER  |  | GENERAL MARKET  |  |   |  |