

## Miniature solid-state relay - SIM-EI-110DC/48DC/100 - 2271099

Please be informed that the data shown in this PDF Document is generated from our Online Catalog. Please find the complete data in the user's documentation. Our General Terms of Use for Downloads are valid (<http://phoenixcontact.com/download>)



Input solid-state relay, with protective circuit in input and output circuits, input: 110 V DC, output: 8 - 48 V DC/100 mA

The illustration shows version SIM-EI- 5DC/48DC/100



### Key commercial data

Packing unit	1 pc
Weight per Piece (excluding packing)	20.4 GRM
Custom tariff number	85364900
Country of origin	Germany

### Technical data

#### Dimensions

Width	13 mm
Height	29 mm
Depth	25 mm

#### Ambient conditions

Ambient temperature (operation)	-20 °C ... 50 °C
Ambient temperature (storage/transport)	-20 °C ... 70 °C

#### Input data

Nominal input voltage $U_N$	110 V DC $\pm 10$ %
Input voltage range in reference to $U_N$	0.9 ... 1.1
Switching threshold "0" signal in reference to $U_N$	$\leq 0.4$
Switching threshold "1" signal in reference to $U_N$	$\geq 0.8$
Typical input current at $U_N$	2.4 mA
Type of protection	Protection against polarity reversal

# Miniature solid-state relay - SIM-EI-110DC/48DC/100 - 2271099

## Technical data

### Input data

Protective circuit/component	Polarity protection diode
Transmission frequency	300 Hz

### Output data

Output voltage range	8 V DC ... 48 V DC
Limiting continuous current	100 mA
Voltage drop at max. limiting continuous current	1 V
Output circuit	2-wire, floating
Type of protection	Protection against polarity reversal
Protective circuit/component	Polarity protection diode

### General

Test voltage input/output	2.5 kV (50 Hz, 1 min.)
Mounting position	any
Assembly instructions	Can be aligned with 2 mm spacing
Operating mode	100% operating factor
Standards/regulations	DIN VDE 0110

## Classifications

### eCl@ss

eCl@ss 4.0	27371102
eCl@ss 4.1	27371102
eCl@ss 5.0	27371001
eCl@ss 5.1	27371001
eCl@ss 6.0	27371001
eCl@ss 7.0	27371001
eCl@ss 8.0	27371001

### ETIM

ETIM 2.0	EC001504
ETIM 3.0	EC001504
ETIM 4.0	EC001504
ETIM 5.0	EC001504

### UNSPSC

UNSPSC 6.01	30211916
UNSPSC 7.0901	39121542
UNSPSC 11	39121542

# Miniature solid-state relay - SIM-EI-110DC/48DC/100 - 2271099

## Classifications

### UNSPSC

UNSPSC 12.01	39121542
UNSPSC 13.2	39121542

## Approvals

### Approvals

---

### Approvals

### GOST

---

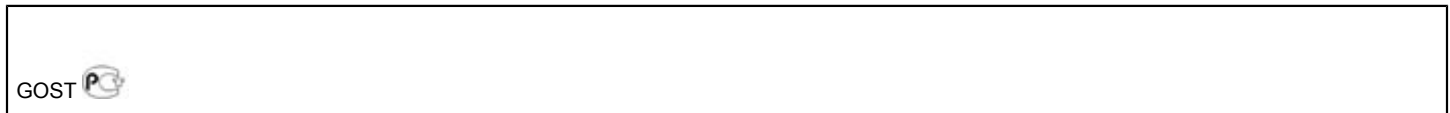
### Ex Approvals

---

### Approvals submitted

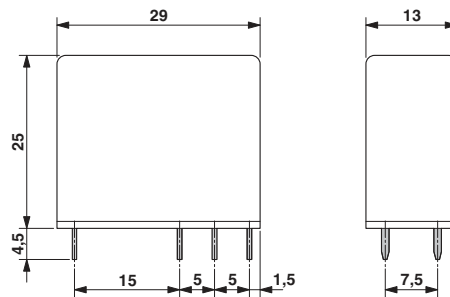
---

## Approval details



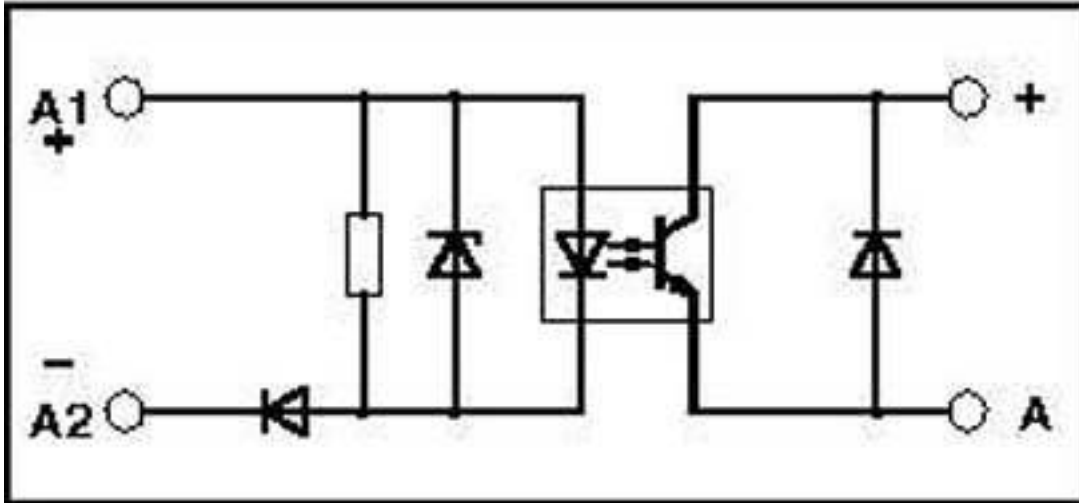
## Drawings

Dimensioned drawing

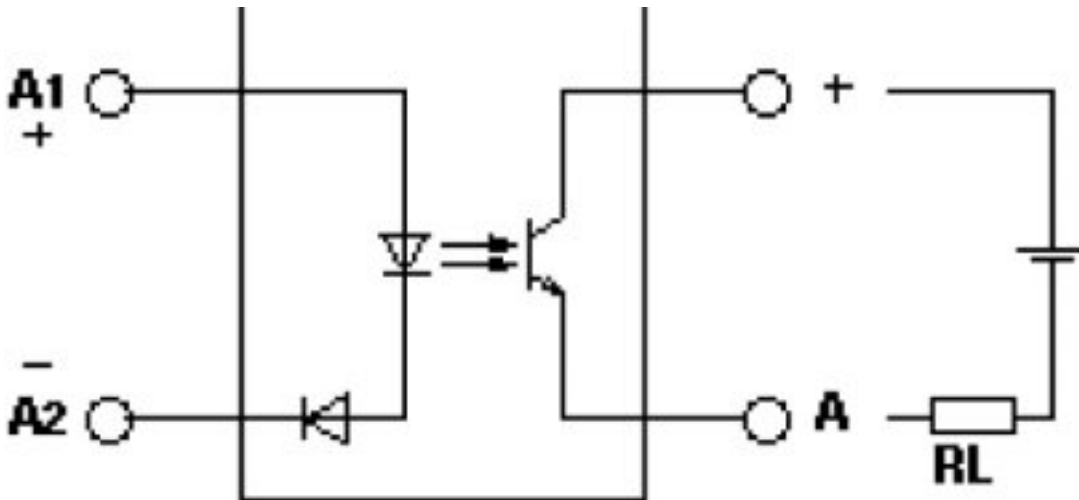


# Miniature solid-state relay - SIM-EI-110DC/48DC/100 - 2271099

Circuit diagram



Circuit diagram



## Miniature solid-state relay - SIM-EI-110DC/48DC/100 - 2271099

Schematic diagram

