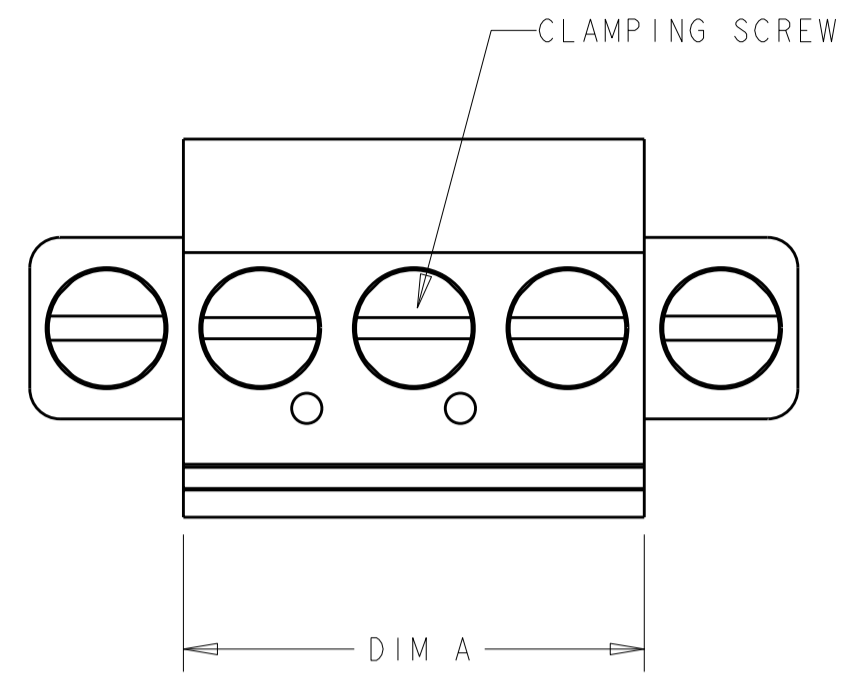


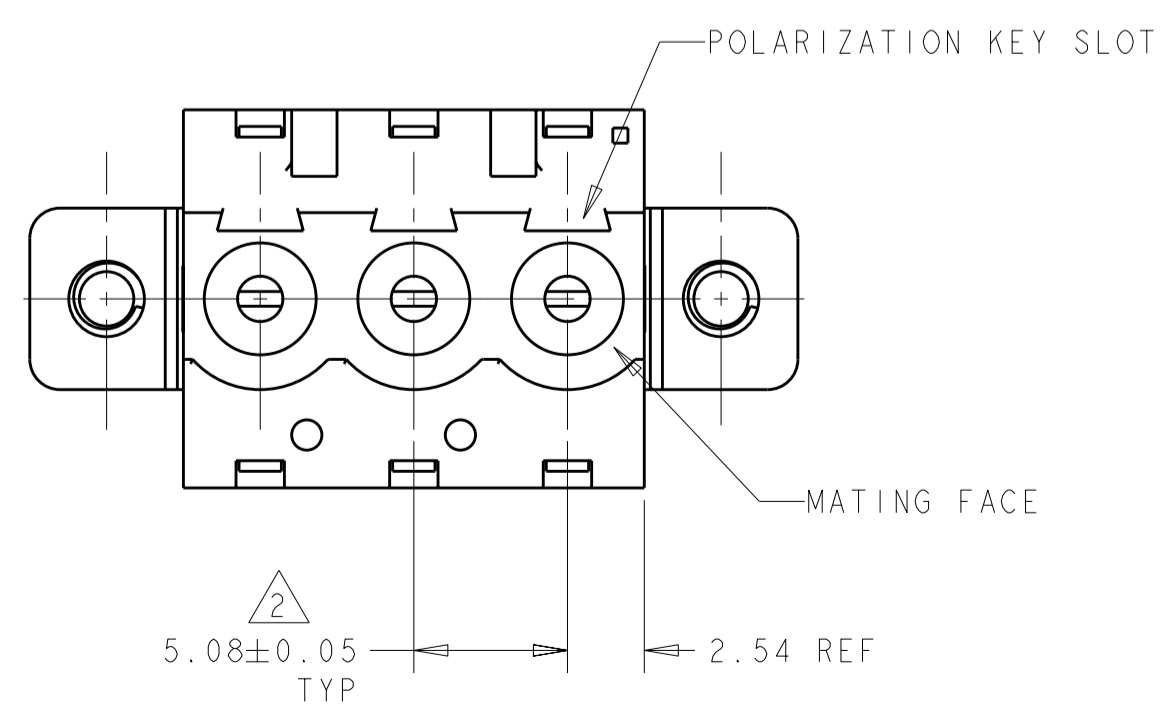
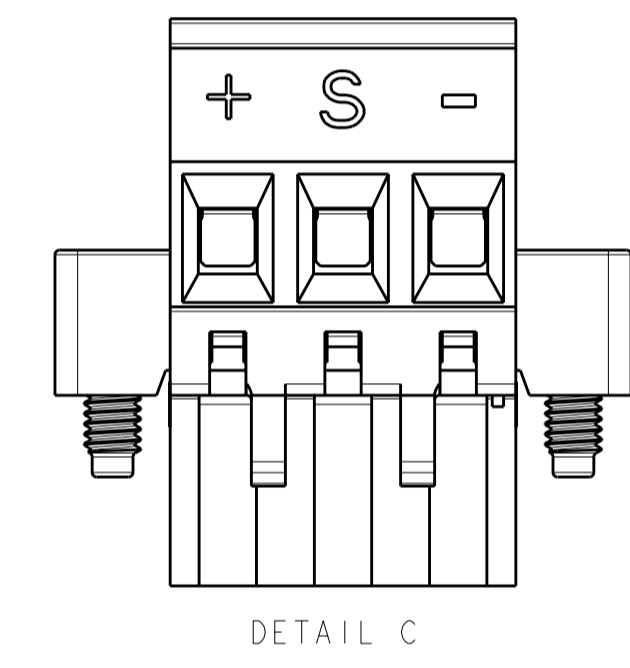
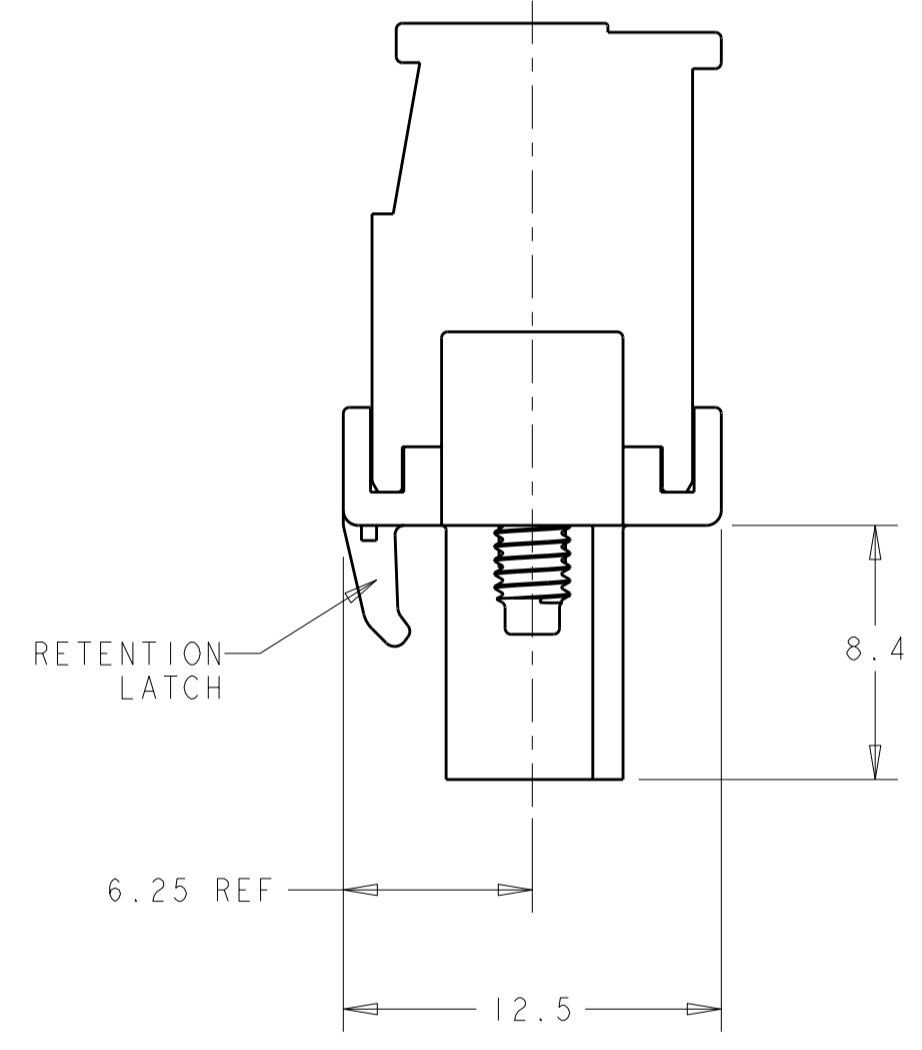
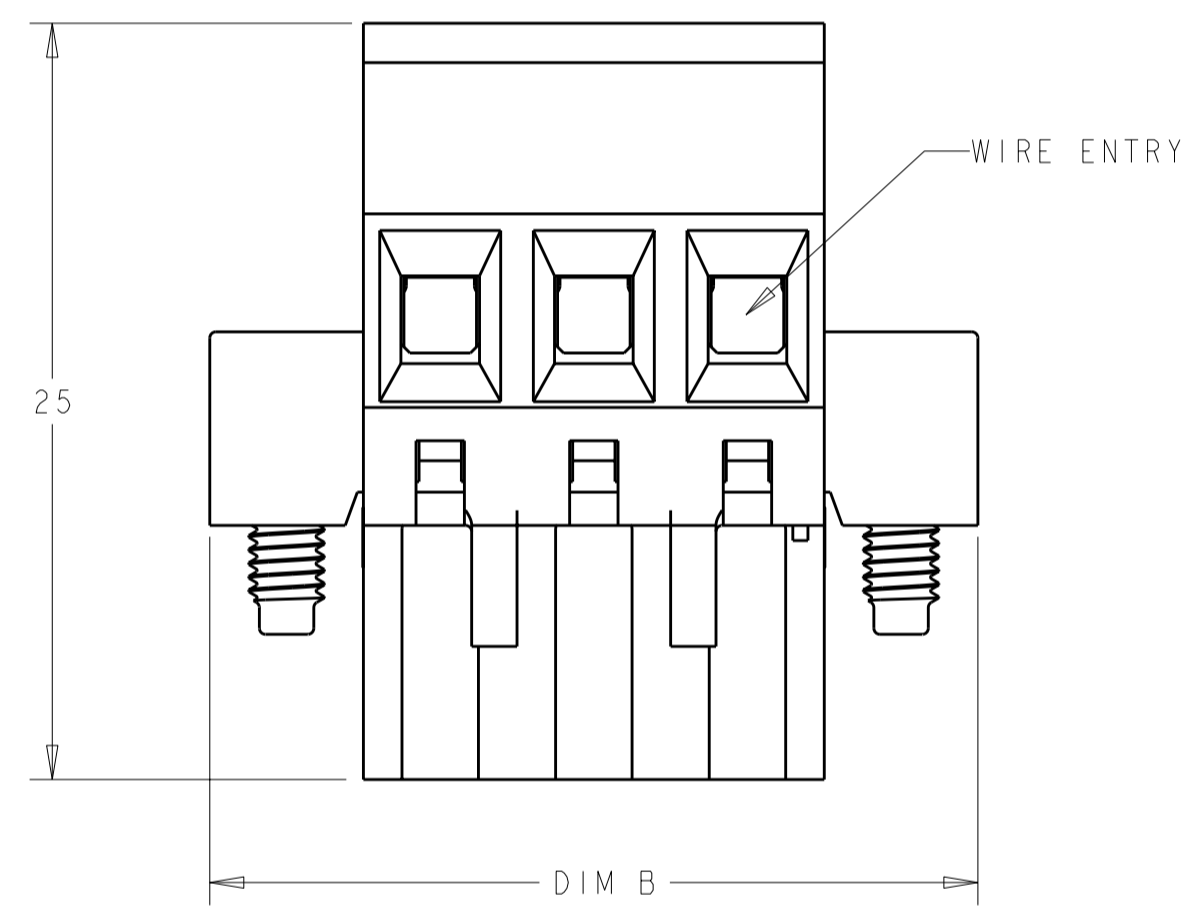
THIS DRAWING IS UNPUBLISHED. RELEASED FOR PUBLICATION 20
 © COPYRIGHT 20 BY TYCO ELECTRONICS CORPORATION. ALL RIGHTS RESERVED.

LOC	DIST	REVISIONS					
FT	0	P	LTR	DESCRIPTION	DATE	DWN	APVD
		2		REVISED PER ECO-09-011794	15MAY2009	HMR	CR



1 MATERIALS AND FINISH:
 HOUSING: PA 6-6, UL 94-V0, COLOR: BLACK.
 CLAMP: BRASS, NICKEL PLATED.
 CONTACT SPRING: PHOSPHOR BRONZE, TIN PLATED.
 CLAMPING SCREW: M3, BRASS, NICKEL PLATED.

2 NOT CUMULATIVE TOLERANCE.
 3. WIRE SIZE RANGE: 12 - 30 AWG
 4. SPECIAL INK MARKING IN WHITE.



DETAIL C	B	A	POSN	PART NUMBER
	35.56	25.40	3	1-1986480-3
	127.00	116.84	12	1-1986480-2
	116.84	106.68	11	1-1986480-1
	106.68	96.52	10	1-1986480-0
	96.52	86.36	9	1986480-9
	86.36	76.20	8	1986480-8
	76.20	66.04	7	1986480-7
	66.04	55.88	6	1986480-6
	55.88	45.72	5	1986480-5
	45.72	35.56	4	1986480-4
	35.56	25.40	3	1986480-3
	25.40	15.24	2	1986480-2

THIS PRINT IS
PRELIMINARY
 THE INFORMATION CONTAINED IN THIS DOCUMENT
 IS CONFIDENTIAL AND PROPRIETARY TO TYCO ELECTRONICS
 DO NOT REPRODUCE OR DISTRIBUTE
 DESIGN IS SUBJECT TO CHANGE WITHOUT NOTICE

THIS DRAWING IS A CONTROLLED DOCUMENT FOR TYCO ELECTRONICS CORPORATION IT IS SUBJECT TO CHANGE AND THE CONTROLLING ENGINEERING ORGANIZATION SHOULD BE CONTACTED FOR THE LATEST REVISION.		DWN S SCHLEGEL 08OCT2008 CHK C RICHARD 08OCT2008 APVD C RICHARD 08OCT2008	Tyco Electronics Harrisburg, PA 17105-3608
DIMENSIONS: mm	TOLERANCES UNLESS OTHERWISE SPECIFIED: 0 PLC ±0 1 PLC ±.3 2 PLC ±.25 3 PLC ±0 4 PLC ±0 ANGLES ±2° FINISH	PRODUCT SPEC APPLICATION SPEC WEIGHT	NAME TERMINAL BLOCK VERTICAL PLUG RIGHT HAND, W/ LOCKING SCREW 5.08mm PITCH
MATERIAL	DIMENSIONS: mm	WEIGHT	SIZE A2 CAGE CODE 00779 DRAWING NO C-1986480 RESTRICTED TO
CUSTOMER DRAWING		SCALE 3:1	SHEET 1 OF 1 REV 2