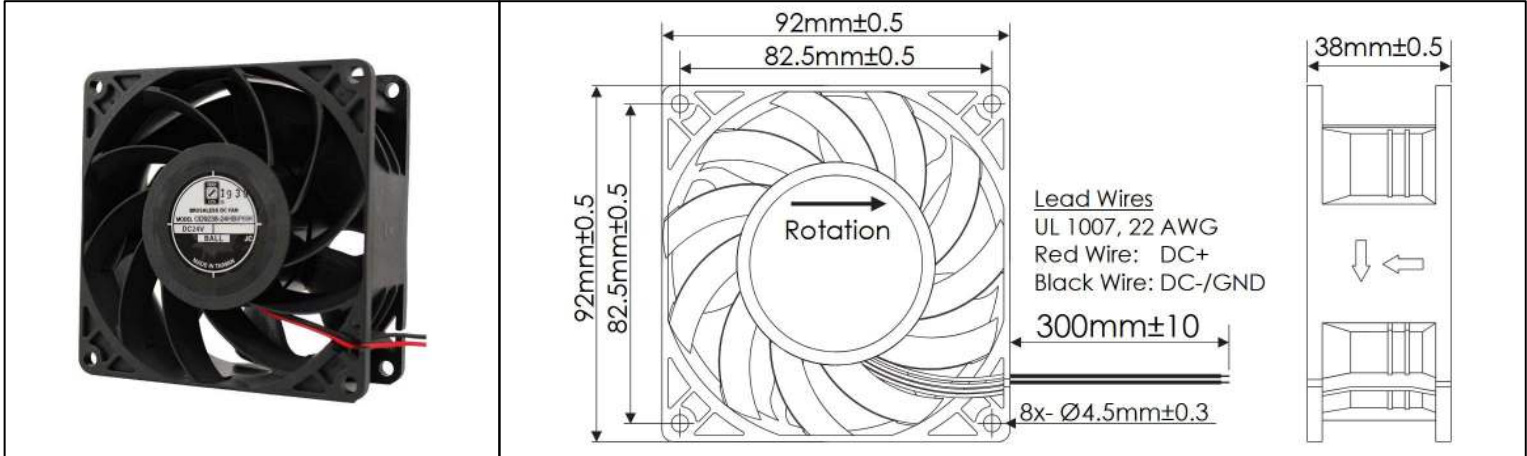


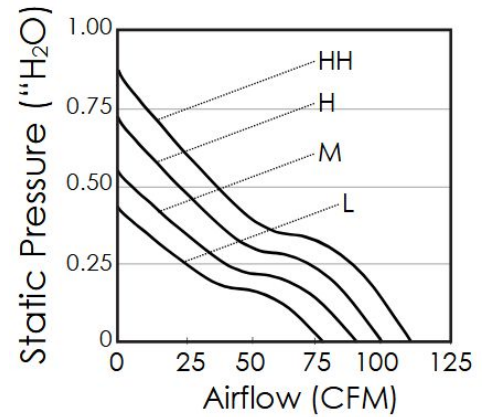
OD9238 IP Rated Series



DC Fans - 24, 48V
92mm x 38mm (3.62" x 1.5")



Frame	PBT, UL94 V-0 Plastic	Operating Temperature -20°C ~ +65°C Storage Temperature -20°C ~ +75°C Life Expectancy 60,000 Hours (L10 at 45°C) Installed Options IP Rating, IP68 or IP69K Available Options PWM Speed Control Input Tachometer Output Alarm Output Weight: 0.44 lbs
Impeller	PBT, UL94 V-0 Plastic	
Connection	2x Lead Wires, 22 AWG	
Motor	Brushless DC, Auto Cutoff, Auto Restart, Polarity Protected, Electronically Protected, IP68 or IP69K	
Bearing System	Ball Bearings	
Dielectric Strength	500VDC/min, <5mA	
Insulation Resistance	≥10MΩ @ 500V DC	



Part Number	Rated Voltage (Volts DC)	Voltage Range (Volts DC)	Input Power (Watts)	Rated Current (Amps)	Rated Speed (RPM)	Max Airflow (CFM)	Noise Level (dBA)	Max Static Pressure ("H ₂ O)
OD9238-24HHBIP***	24	15 ~ 26	10.8	0.45	5000	110	58.3	0.86
OD9238-24HBIP***	24	15 ~ 26	9.6	0.40	4500	100	56.2	0.70
OD9238-24MBIP***	24	15 ~ 26	7.2	0.30	4000	89	53.7	0.55
OD9238-24LBIP***	24	15 ~ 26	4.8	0.20	3500	78	50.2	0.42
OD9238-48HHBIP***	48	28 ~ 52	14.4	0.30	5000	110	58.3	0.86
OD9238-48HBIP***	48	28 ~ 52	12.0	0.25	4500	100	56.2	0.70
OD9238-48MBIP***	48	28 ~ 52	9.6	0.20	4000	89	53.7	0.55
OD9238-48LBIP***	48	28 ~ 52	7.2	0.15	3500	78	50.2	0.42

*** Substitute "68" for IP68 Rating, or "69K" for IP69K Rating.