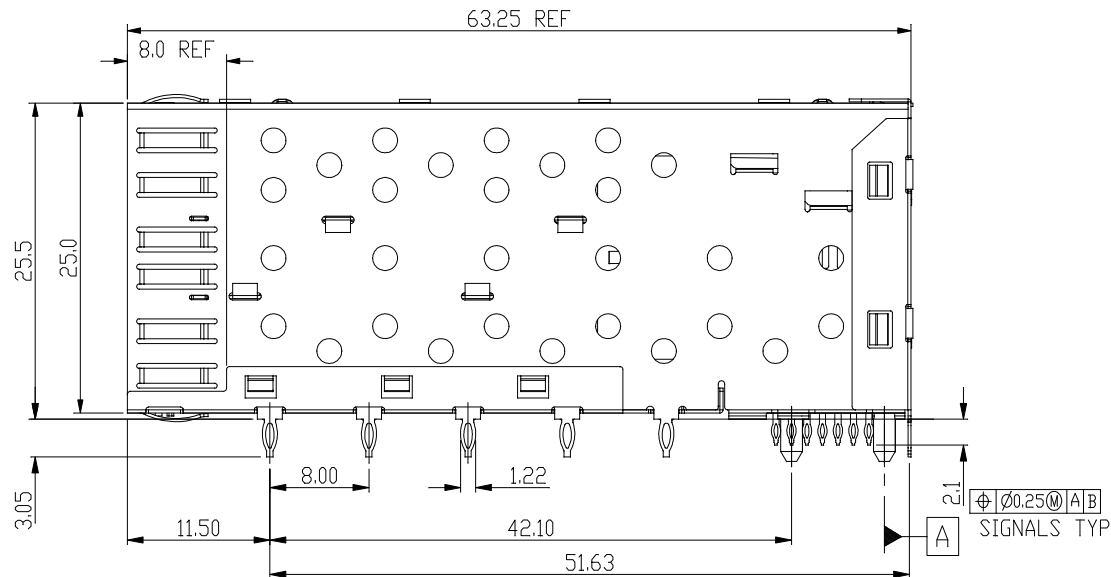
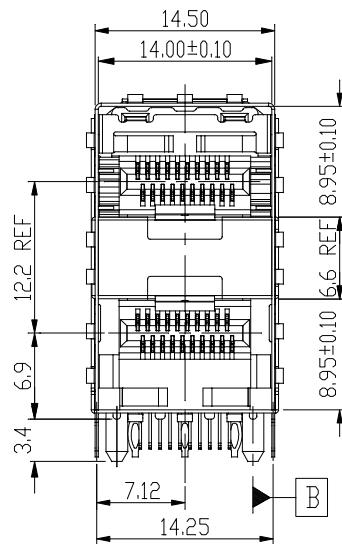


REVISION RECORD		
REV	DESCRIPTION	DRFT
9	UPDATE	Jack 7/19/11
10	Correct dim 1.7 to 1.9	Victor 10/31/12



NOTES:

- MATERIAL:
CONNECTOR
HOUSING: GLASS FILLED HIGH TEMPERATURE PLASTIC, UL94 V-0, BLACK
TERMINALS: PHOS-BRONZE t=0.2mm .
OVERMOLDED TERMINALS HOUSING: GLASS FILLED HIGH TEMPERATURE PLASTIC, UL94 V-0, BLACK.
CAGE ASSEMBLY: PHOS-BRONZE t=0.25mm.
- FINISH:
TERMINAL:
1)50u" MIN NICKEL PLATING OVER ALL.
2)COMPLIANT TAIL: 50u" TIN OVER 50u" MIN NICKEL.
3)30u" MIN GOLD PLATING ON MATING AREA.
CAGE: 50u" MIN NICKEL PLATING OVER ALL.
- PRESS FIT HOLES:
CONTACT:
1)HOLE DIAMETER AFTER PLATING: 0.55-0.65mm.
2)DRILLED HOLE: 0.675-0.725mm
CAGE:
1)HOLE DIAMETER AFTER PLATING: 1.00-1.10mm.
2)DRILLED HOLE: 1.125-1.175mm.
- RATING:
1)VOLTAGE: 120V r.m.s
2)CURRENT RATING: 0.5Amp. MAXIMUM PER INDIVIDUAL CONTACT.
3)OPERATING TEMPERATURE: -55° C TO 85° C
4)INSULATION RESISTANCE: 1000 mega-ohms Min.

Qty Per:	TRAY	CARTON
	16	96

DETACHED LISTS	MM (INCH)	RoHS Compliant		Pulse Electronics		
	TOLERANCES EXCEPT AS NOTED	TITLE				W/O MIDDLE PINS
	MM	±	SFP 2 BY 1 CAGE+CONNECTOR_S			
	.0 ± 0.25 .00 ± 0.20 .000 ± 0.10	± ± ±	DFTD Yicqn		DRAWING NO. CSFP013-L	SIZE A3
ANGLES ± 0.5	DATE 8/26/10'		/PART NO. SFP013-L		REV 10	
THIRD ANGLE PROJECTION	SCALE : 2:1	DO NOT SCALE DRAWING		SHEET 1 OF 3		

8

7

6

5

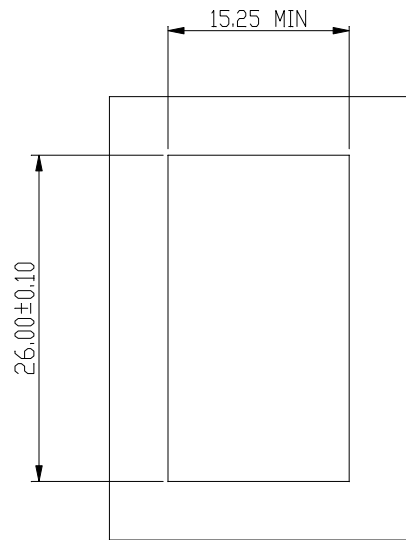
4

3

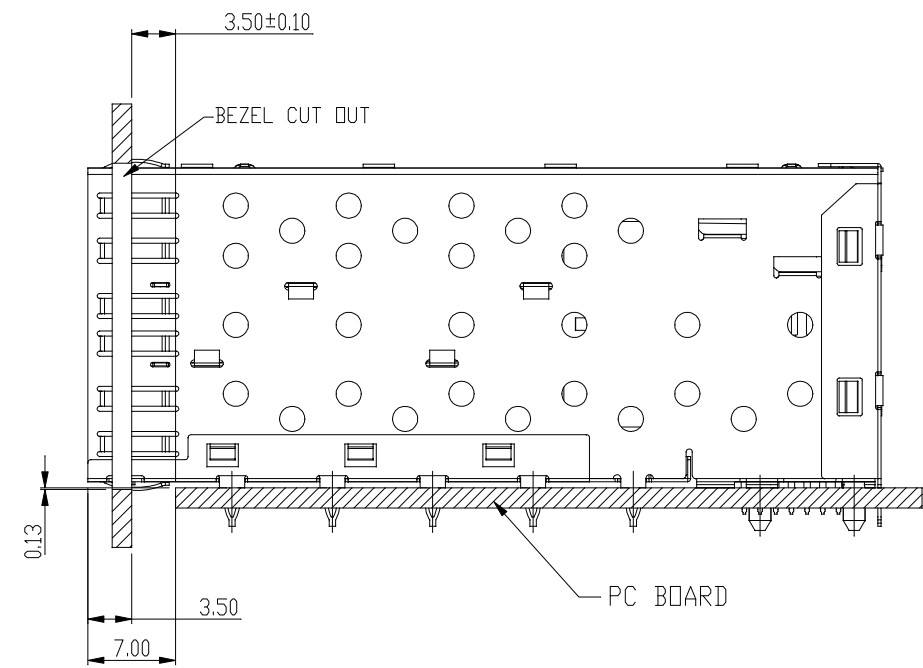
2

1

REVISION RECORD		
REV	DESCRIPTION	DRFT
9	UPDATE	Jack 7/19/11
10	Correct dim 1.7 to 1.9	Victor 10/31/12

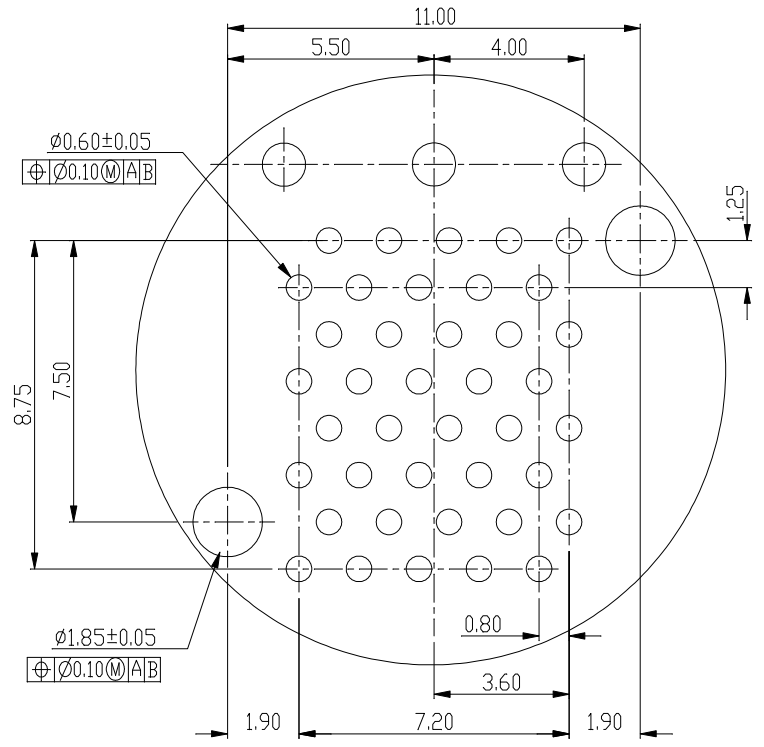


BEZEL CUT-OUT CENTER SPACING DETAIL
BEZEL THICKNESS:0.8-2.6

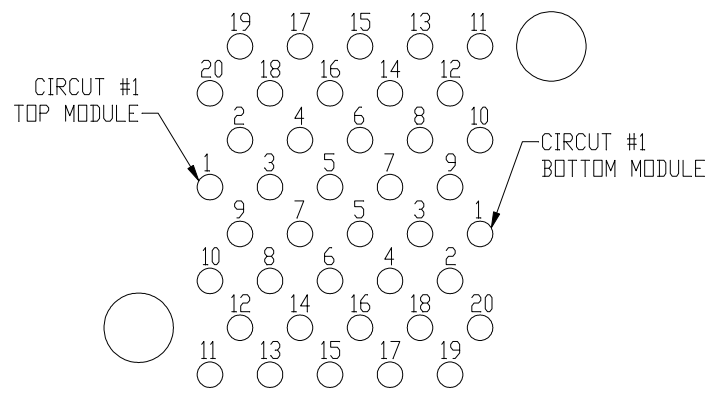
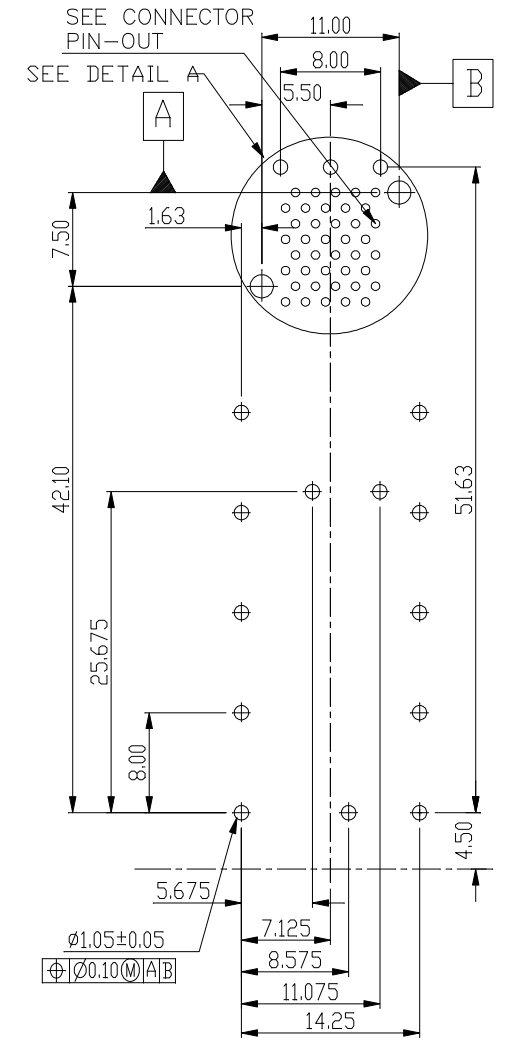
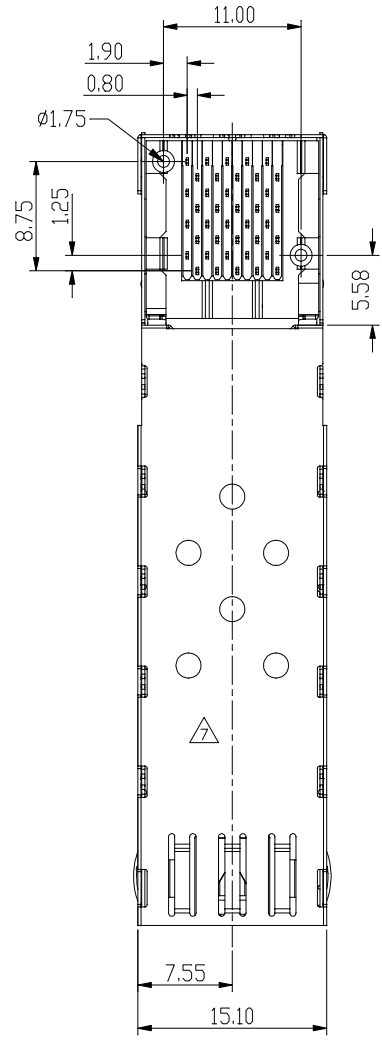


DETACHED LISTS TOLERANCES EXCEPT AS NOTED MM .0 ± 0.25 ± .00 ± 0.20 ± .000 ± 0.10 ± ANGLES ± 0.5 THIRD ANGLE PROJECTION	MM (INCH)	RoHS Compliant		
	TITLE SFP 2 BY 1 CAGE+CONNECTOR_S		W/O MIDDLE PINS	
	DFTD Yican DATE 8/26/10'	DRAWING NO. CSFP013-L /PART NO. SFP013-L	SIZE A3	REV 10
	SCALE : 2:1	DO NOT SCALE DRAWING	SHEET 2	OF 3

REVISION RECORD		
REV	DESCRIPTION	DRFT
9	UPDATE	Jack 7/19/11
10	Correct dim 1.7 to 1.9	Vicior 10/31/12



DETAIL A
SCALE 6:1



CONNECTOR PIN-OUT
COMPONENT SIDE OF BOARD

TOLERANCES EXCEPT AS NOTED	
MM	±
.0 ± 0.25	±
.00 ± 0.20	±
.000 ± 0.10	±
ANGLES ± 0.5	

RoHS Compliant



TITLE: SFP 2 BY 1 CAGE+CONNECTOR_S
W/D MIDDLE PINS

DFTD Yicon	DRAWING NO. CSFP013-L	SIZE	REV
DATE 8/26/10'	/PART NO. SFP013-L	A3	10
SCALE: 2:1		DO NOT SCALE DRAWING	SHEET 3 OF 3