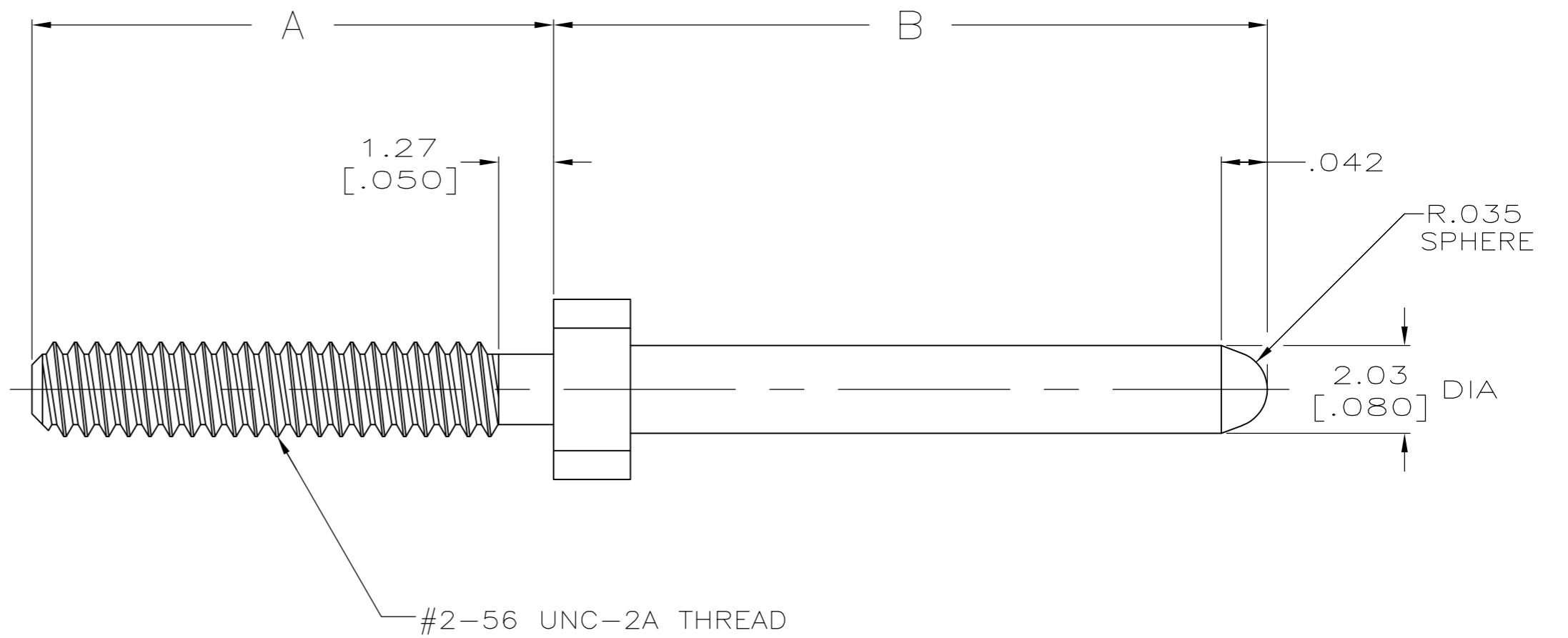
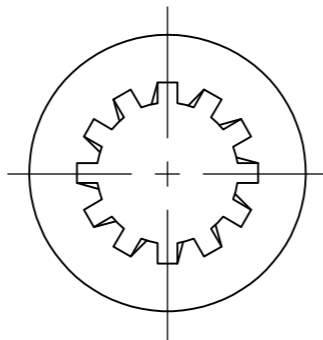
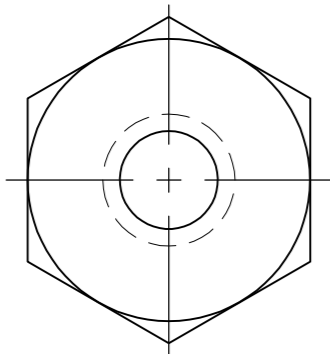


THIS DRAWING IS UNPUBLISHED. RELEASED FOR PUBLICATION
 © COPYRIGHT - By - ALL RIGHTS RESERVED.

LOC	DIST	REVISIONS			
P	LTR	DESCRIPTION	DATE	DWN	APVD
AD	00				
	K2	ECO-14-006324 & 953794.1	29APR2014	BC	AS



	16.51 [.650]	6.73 [.265]	532808-7
3	16.51 [.650]	25.40 [1.000]	532808-6
3	16.51 [.650]	9.40 [.370]	532808-5
3	16.51 [.650]	15.49 [.610]	532808-4
3	16.51 [.650]	19.05 [.750]	532808-3
3	16.51 [.650]	14.27 [.562]	532808-2
	16.51 [.650]	12.06 [.475]	532808-1
	B	A	PART NUMBER

- 1 MATERIAL: STAINLESS STEEL
- 2 FINISH: PASSIVATED
- 3 OBSOLETE

THIS DRAWING IS A CONTROLLED DOCUMENT.		DWN	R.K. SEIFRIED	6-1-90	STE TE Connectivity	
DIMENSIONS: mm [INCHES]		CHK	G. SKIPPER	12-15-93		
TOLERANCES UNLESS OTHERWISE SPECIFIED:		APVD	G. SKIPPER	12-15-93	NAME	
0 PLC ± -		PRODUCT SPEC		HDI, GUIDE PIN KIT		
1 PLC ± -		APPLICATION SPEC		SIZE	CAGE CODE	DRAWING NO
2 PLC ± -		MATERIAL		A2	00779	C=532808
3 PLC ± 0.13 [.005]		FINISH		SCALE	SHEET	REV
4 PLC ± -		MATERIAL		8:1	1 of 1	K2
ANGLES ± -		MATERIAL		CUSTOMER DRAWING		
FINISH		MATERIAL		RESTRICTED TO		
1		2		-		