

DWG. NO. SD-35303-001

SIMILAR ITEM

PROJECT NO.

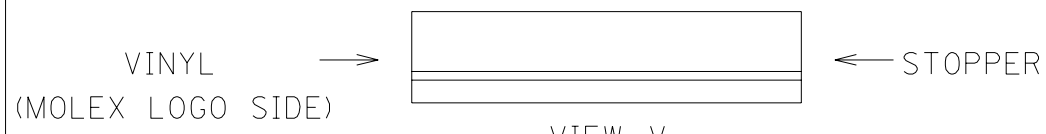
5

4

3

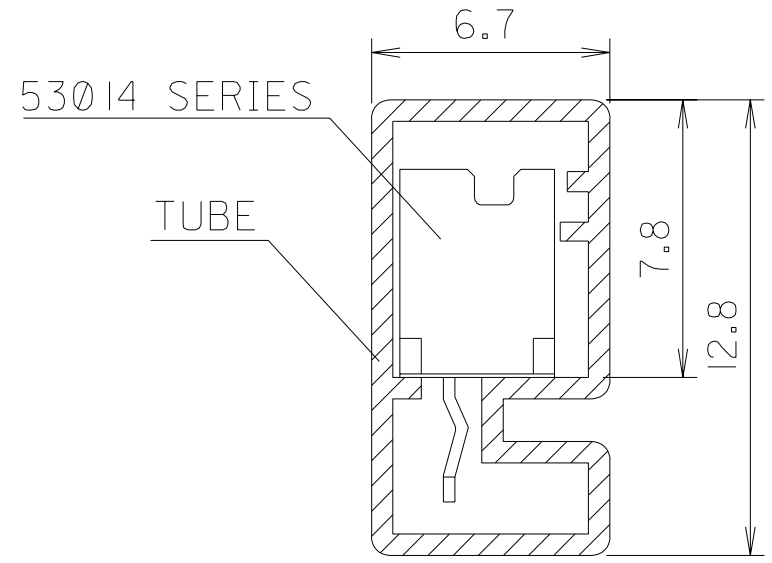
2

1



VIEW V

- NOTES
1. TUBE : STOPPER & VINYL LOCKING TYPE
 2. THICKNESS : 0.6+
 3. LENGTH : 550mm



- LEGEND 35303-*** 5 *
- COLOR : 0 --- NATURAL
 1 --- BLACK
 2 --- RED
 3 --- YELLOW
 4 --- BLUE
- CKT (02, 03, 04, ...)

15	35303155*	35303-155*	8	35303085*	35303-085*	53014 SERIES	
14	35303145*	-145*	7	35303075*	-075*		
13	35303135*	-135*	6	35303065*	-065*		
12	35303125*	-125*	5	35303055*	-055*		
11	35303115*	-115*	4	35303045*	-045*		
10	35303105*	-105*	3	35303035*	-035*		
9	35303095*	35303-095*	2	35303025*	35303-025*		
CKTS	MAT'L NO.	ENG NO.	CKTS	MAT'L NO.	ENG NO.		USED ON

NEW RELEASED
 EC NO. KOR2004-0124
 DRWN: K.S.KIM (040324)
 CH'K: J.K.OH
 APPR: C.W.LEE

QUALITY SYMBOLS

MAJOR

CRITICAL

GENERAL TOLERANCES: (UNLESS SPECIFIED)

	mm	INCH
4 PLACES	±0.	±.
3 PLACES	±0.	±.
2 PLACES	±0.	±.
1 PLACE	±0.	±.

ANGULAR: ± °

DRAFT WHERE APPLICABLE MUST REMAIN WITHIN DIMENSIONS

SCALE NONE

DESIGN UNITS mm INCH

THIRD ANGLE PROJECTION

DRAWN BY & DATE
 H.S.SHIN (910220)

CHECKED BY & DATE
 J.K.OH

APPROVED BY & DATE
 C.W.LEE

CAD FILENAME
 SD-35303-001

DIMENSIONS: mm INCH mm ONLY

SHT REV

REVISE ON CAD ONLY

TITLE: TUBE PACKAGED FOR 53014 SERIES

MOLEX INCORPORATED KOREA

MATERIAL NO. SEE TABLE

DRAWING NO. SD-35303-001

SHEET NO. 1 OF 1

THIS DRAWING CONTAINS INFORMATION THAT IS PROPRIETARY TO MOLEX INCORPORATED AND SHOULD NOT BE USED WITHOUT WRITTEN PERMISSION.

SIZE A

5

4

3

2

MX-A4

DWG. NO.

SIMILAR ITEM

PROJECT NO.

C

B

DO NOT SCALE DRAWING
DIMENSION IN METRIC

8 7 6 5 4 3 2 1

F

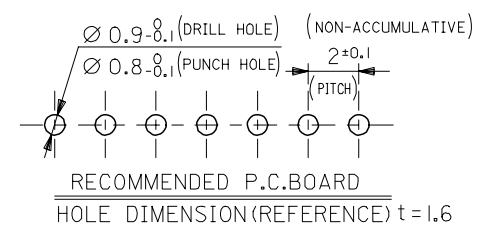
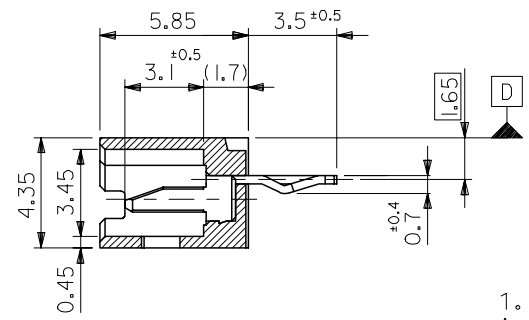
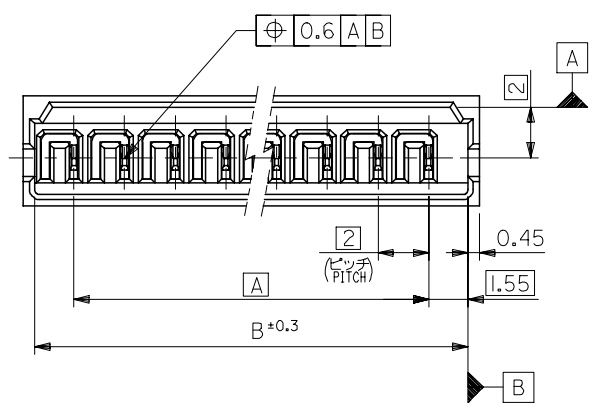
E

D

C

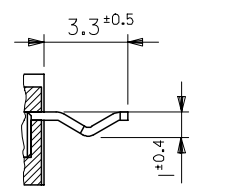
B

A

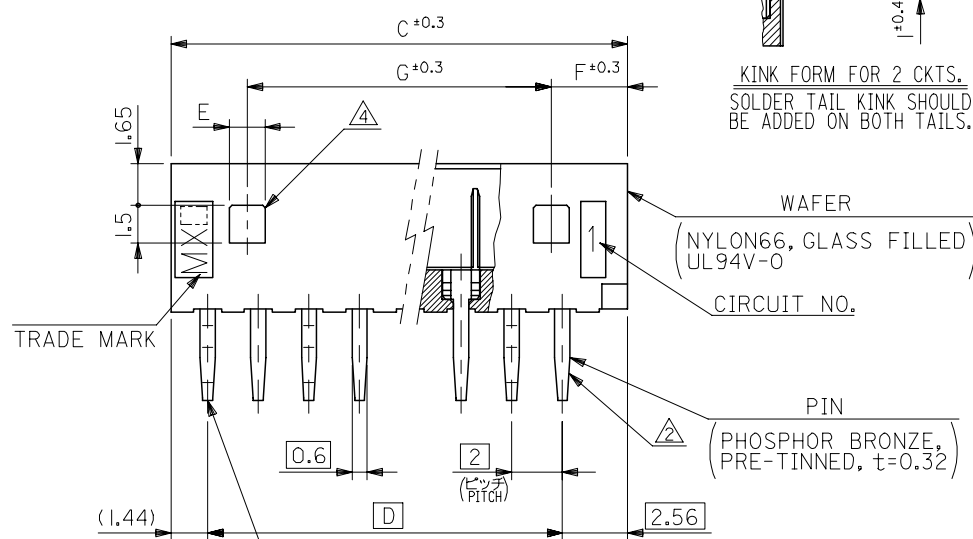


NOTES

- 1. MATES WITH : 51004-***00
- △ KINK TO BE ADDED ON THE ODD NUMBER SOLDER TAILS. (FROM THE TRADE MARK SIDE.)
- △ * MARK INDICATES DYED COLOR : "0" NATURAL, "1" BLACK, "2" RED, "3" YELLOW, "4" BLUE
- △ LOCKING HOLE : 1 PLACE FOR 2, 3 CKTS, 2 PLACES FOR 4 CKTS. AND MORE THAN 4 CKTS.



KINK FORM FOR 2 CKTS.
SOLDER TAIL KINK SHOULD BE ADDED ON BOTH TAILS.



WAFER
(NYLON66, GLASS FILLED)
UL94V-0

CIRCUIT NO.

PIN
(PHOSPHOR BRONZE,
PRE-TINNED, t=0.32)

26	3	1.4	28	32	31.1	28	53014-151*	35303-155*	15
24	3	1.4	26	30	29.1	26	-141*	35303-145*	14
22	3	1.4	24	28	27.1	24	-131*	35303-135*	13
20	3	1.4	22	26	25.1	22	-121*	35303-125*	12
18	3	1.4	20	24	23.1	20	-111*	35303-115*	11
16	3	1.4	18	22	21.1	18	-101*	35303-105*	10
14	3	1.4	16	20	19.1	16	-091*	35303-095*	9
12	3	1.4	14	18	17.1	14	-081*	35303-085*	8
10	3	1.4	12	16	15.1	12	-071*	35303-075*	7
8	3	1.4	10	14	13.1	10	-061*	35303-065*	6
6	3	1.4	8	12	11.1	8	-051*	35303-055*	5
4	3	1.4	6	10	9.1	6	-041*	35303-045*	4
-#	4	3.4	4	8	7.1	4	-031*	35303-035*	3
-#	3	1.4	2	6	5.1	2	53014-021*	35303-025*	2
G	F	E	D	C	B	A	ENG. NO. △	ENG. NO. △	NO. OF CKTS.

ANGLE	±3°
30 OVER	±0.3
10 OVER 30 UNDER	±0.25
10 UNDER	±0.2
GENERAL TOLERANCES	

NEW RELEASED
ECN NO. KOR2006-0082
DRWN: K.S.KIM (060102)
CHK: Y.Soo.KIM
APPR: SH.CHOI

QUALITY SYMBOLS
MAJOR
CRITICAL

GENERAL TOLERANCES:
(UNLESS SPECIFIED)

	mm	INCH
4 PLACES	±0.	±.
3 PLACES	±0.	±.
2 PLACES	±0.	±.
1 PLACE	±0.	±.

ANGULAR: ± °

DRAFT WHERE APPLICABLE MUST REMAIN WITHIN DIMENSIONS

SCALE 5:1
DESIGN UNITS
 mm INCH

THIRD ANGLE PROJECTION

DRAWN BY & DATE
K.S.KIM (060102)

CHECKED BY & DATE
Y.Soo.KIM

APPROVED BY & DATE
SH.CHOI

CAD FILENAME

TITLE:
2.0 LOW PROFILE
WAFER ASS'Y

MOLEX INCORPORATED

MATERIAL NO. DRAWING NO. SHEET NO.
SD-35303-010 1 OF 1

THIS DRAWING CONTAINS INFORMATION THAT IS PROPRIETARY TO MOLEX INCORPORATED AND SHOULD NOT BE USED WITHOUT WRITTEN PERMISSION.

SIZE B