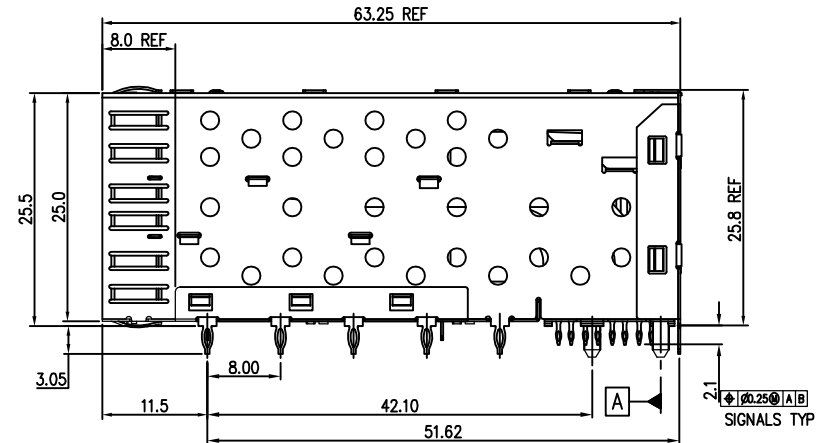
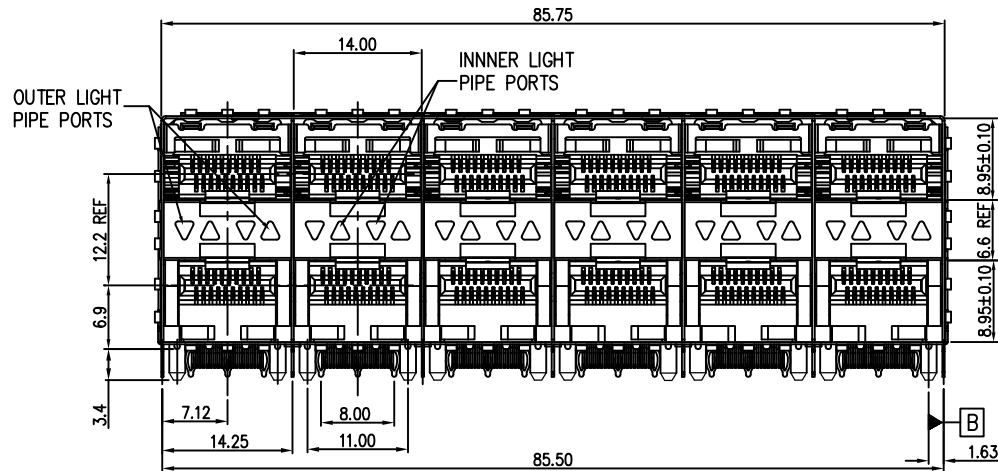


REVISION RECORD		
REV	DESCRIPTION	DRFT
1	ADD NOTE	Jack 9/03/10'
2	(1) CHANGE TO 3 ROW TABS (2) ADD TRACE KEEP OUT AREA&DIMENSION	Jack 9/29/10'
3	MODIFY PLATING SPECIFICATION	Jack 1/27/11'
4	ADD DETAIL VIEW	Jack 1/30/12'
5	CHANGE PLASTIC MATERIAL	Roy 1/14/14'



NOTES:

- MATERIAL:  
CONNECTOR  
HOUSING: GLASS FILLED LIQUID CRYSTAL POLYMER(LCP) UL94V-0. BLACK.  $\Delta$   
TERMINALS: PHOS-BRONZE  $t=0.2\text{mm}$  .  
OVERMOLDED TERMINAL HOUSING: GLASS FILLED LIQUID CRYSTAL POLYMER(LCP) UL94V-0. BLACK.  $\Delta$   
CAGE ASSEMBLY: COPPER-NICKEL-ZINC ALLOY  $t=0.25\text{mm}$ .
- FINISH:  
TERMINAL:  
1)  $50\mu$ " MIN NICKEL PLATING OVER ALL.  
2)  $30\mu$ " MIN GOLD PLATING ON MATING AREA.
- PRESS FIT HOLES:  
CONTACT:  
1) HOLE DIAMETER AFTER PLATING: 0.41-0.51mm.  
2) DRILLED HOLE: 0.535-0.585mm  
CAGE:  
1) HOLE DIAMETER AFTER PLATING: 1.00-1.10mm.  
2) DRILLED HOLE: 1.125-1.175mm.
- RATING:  
1) VOLTAGE: 120V r.m.s  
2) CURRENT RATING: 0.5Amp. MAXIMUM PER INDIVIDUAL CONTACT.  
3) OPERATING TEMPERATURE: -55°C TO 85°C  
4) INSULATION RESISTANCE: 1000 mega-ohms Min.

PART NUMBER	DESCRIPTION	REV	GOLD PLATING
SFP005-03-L	WITH INNER/OUTER LIGHT PIPES, PULSE LAYOUT	F	30u"

DETACHED LISTS	MM (INCH)		DFTO Roy	DATE 01/14/2014	RoHS Compliant
	TOLERANCES EXCEPT AS NOTED		CHKD	DATE	
	MM	±	APPVL	DATE	TITLE
	.0 ± 0.20	±	MATERIAL :		SFP 2BY 6 CAGE+CONNECTOR_P
	.00 ± 0.15	±	ANGLES ± 0.5°		DRAWING NO. CSFP005-03-L
.000 ± 0.075	±	THIRD ANGLE PROJECTION		/PART NO. SFP005-03-L	
			QTY :	SCALE : 1:1	SIZE A3
			FINISH :	DO NOT SCALE DRAWING	REV 5
				SHEET 1	OF 4

8

7

6

5

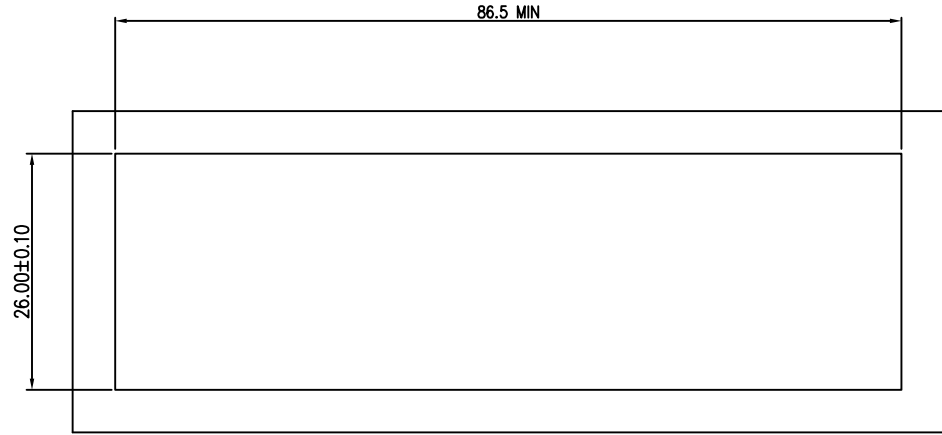
4

3

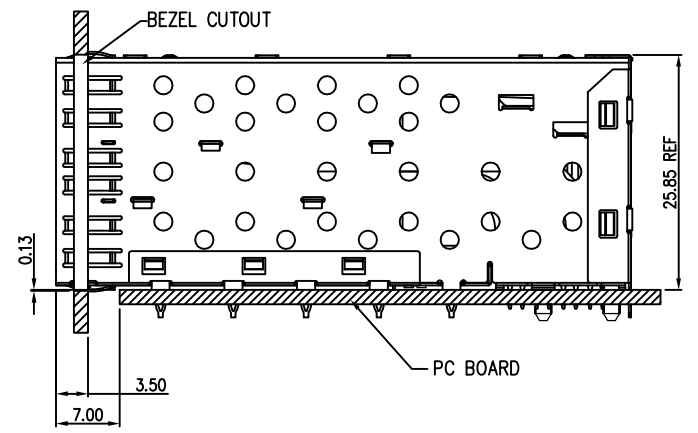
2

1

REVISION RECORD		
REV	DESCRIPTION	DRFT
1	ADD NOTE	Jack 9/03/10'
2	(1) CHANGE TO 3 ROW TABS (2) ADD TRACE KEEP OUT AREA&DIMENSION	Jack 9/29/10'
3	MODIFY PLATING SPECIFICATION	Jack 1/27/11'
4	ADD DETAIL VIEW	Jack 1/30/12'
5	CHANGE PLASTIC MATERIAL	Roy 1/14/14'

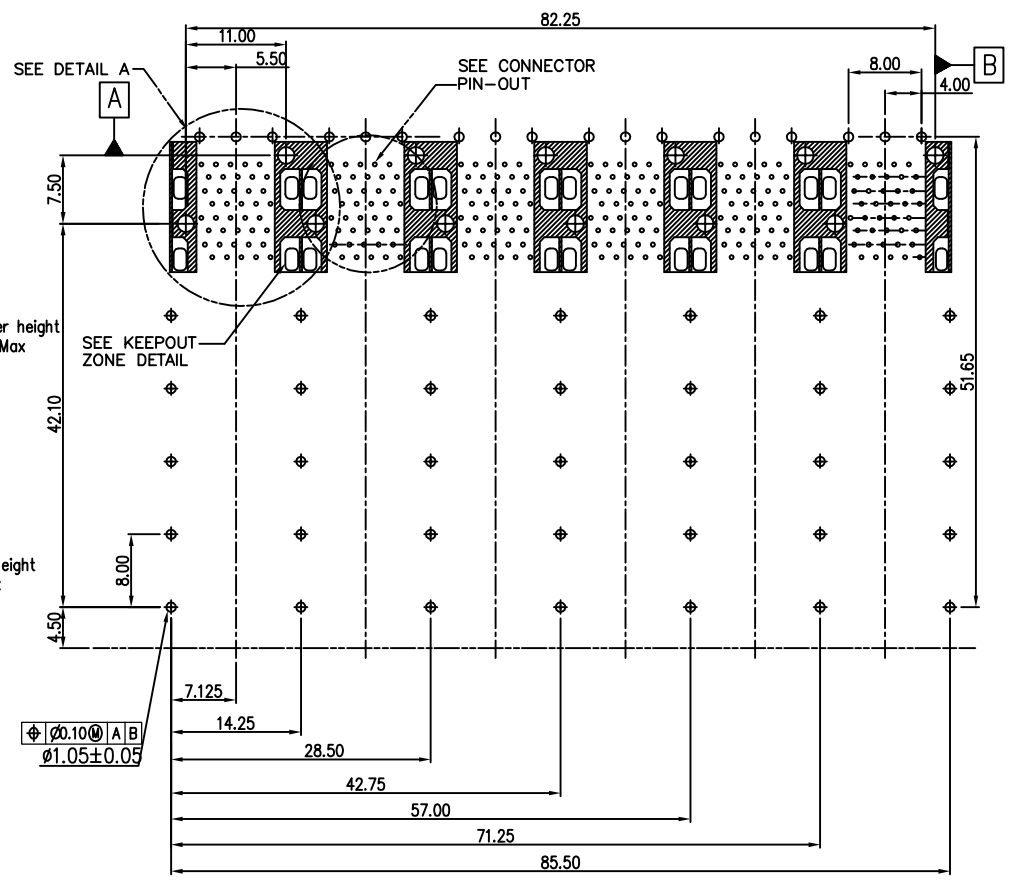
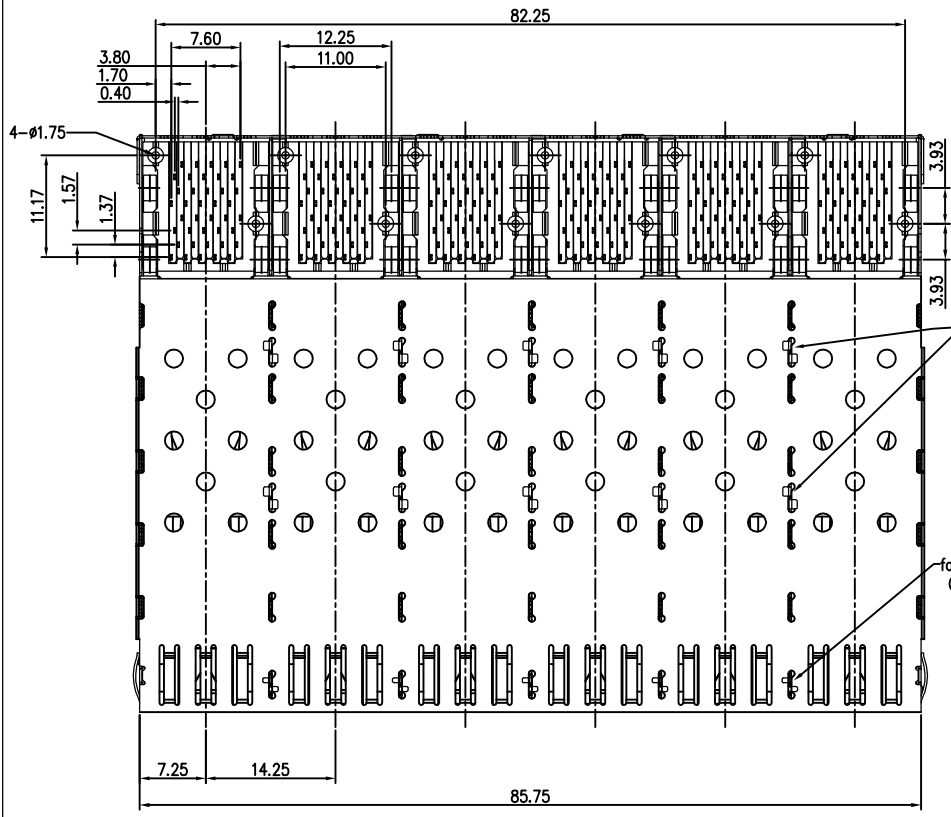


BEZEL CUT-OUT CENTER SPACING DETAIL  
BEZEL THICKNESS: 0.8-2.6



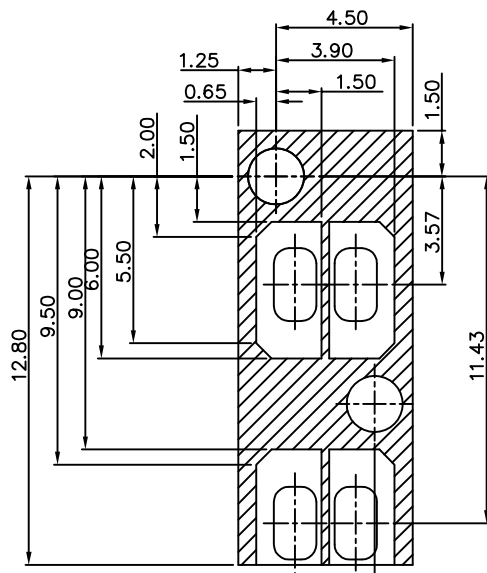
DETACHED LISTS	<div style="display: flex; align-items: center;"> <div style="margin-right: 5px;">←</div> <div style="text-align: center; font-size: small;">MM (INCH)</div> <div style="margin-left: 5px;">→</div> </div>		DFTO Roy	DATE 01/14/2014	<span style="font-size: 1.2em; vertical-align: middle;">RoHS Compliant</span>	
	TOLERANCES EXCEPT AS NOTED		CHKD	DATE		
	MM	±	APPVL	DATE	TITLE SFP 2BY 6 CAGE+CONNECTOR_P	
	.0 ± 0.20	±	MATERIAL :			
	.00 ± 0.15	±	QTY :		DRAWING NO. CSFP005-03-L	SIZE A3
.000 ± 0.075	±	FINISH :		/PART NO. SFP005-03-L		
ANGLES ± 0.5°		SCALE : 1:1		DO NOT SCALE DRAWING		
 THIRD ANGLE PROJECTION				SHEET 2 OF 4		

REVISION RECORD		
REV	DESCRIPTION	DRFT
1	ADD NOTE	Jack 9/03/10'
2	(1) CHANGE TO 3 ROW TABS (2) ADD TRACE KEEP OUT AREA&DIMENSION	Jack 9/28/10'
3	MODIFY PLATING SPECIFICATION	Jack 1/27/11'
4	ADD DETAIL VIEW	Jack 1/30/12'
5	CHANGE PLASTIC MATERIAL	Roy 1/14/14'

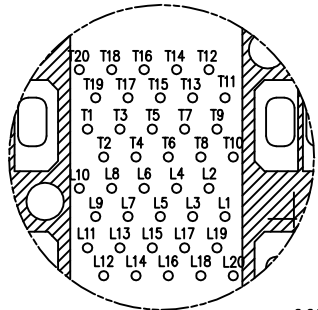


DETACHED LISTS	MM (INCH)		DFTO Roy	DATE 01/14/2014	<b>Pulse</b> Electronics	RoHS Compliant
	TOLERANCES EXCEPT AS NOTED		CHKD	DATE		
	MM	±	APPVL	DATE	TITLE SFP 2BY 6 CAGE+CONNECTOR_P	
	.0 ± 0.20	±	MATERIAL :			
	.00 ± 0.15	±	QTY :		DRAWING NO. CSFP005-03-L	SIZE A3
.000 ± 0.075	±	FINISH :		/PART NO. SFP005-03-L	DO NOT SCALE DRAWING	
ANGLES ± 0.5°		SCALE : 1:1		SHEET 3 OF 4		
THIRD ANGLE PROJECTION						

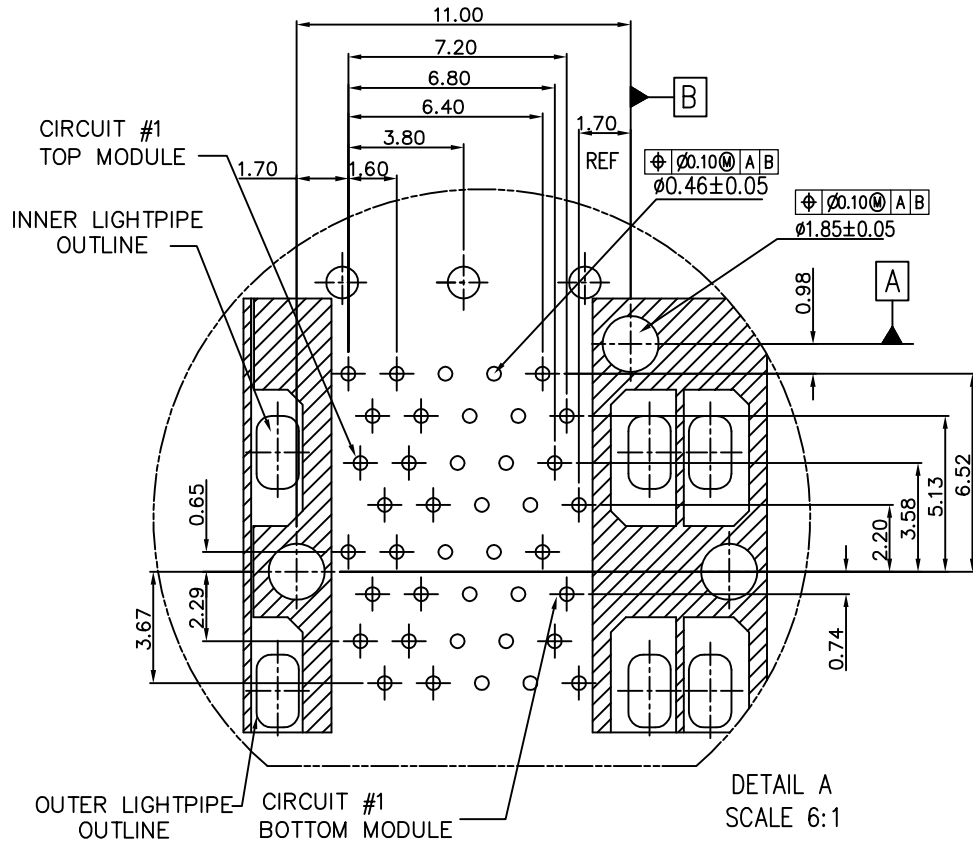
REVISION RECORD		
REV	DESCRIPTION	DRFT
1	ADD NOTE	Jack 9/03/10'
2	(1) CHANGE TO 3 ROW TABS (2) ADD TRACE KEEP OUT AREA&DIMENSION	Jack 9/29/10'
3	MODIFY PLATING SPECIFICATION	Jack 1/27/11'
4	ADD DETAIL VIEW	Jack 1/30/12'
5	CHANGE PLASTIC MATERIAL	Roy 1/14/14'



KEEP-OUT ZONE DETAIL  
SCALE 6:1



CONNECTOR PIN-OUT  
COMPONENT SIDE OF BOARD



DETAIL A  
SCALE 6:1

DETACHED LISTS	MM (INCH)	DFTO Roy	DATE 01/14/2014		RoHS Compliant					
	TOLERANCES EXCEPT AS NOTED	CHKD	DATE							
	MM	±	APPVL	DATE	TITLE					
	.0 ± 0.20	±	MATERIAL :		SFP 2BY 6 CAGE+CONNECTOR_P					
.00 ± 0.15	±	QTY :		DRAWING NO.	CSFP005-03-L	SIZE	A3	REV	5	
.000 ± 0.075	±	FINISH :		/PART NO.	SFP005-03-L	DO NOT SCALE DRAWING				
ANGLES ± 0.5°		SCALE : 1:1		SHEET		4	OF 4			
THIRD ANGLE PROJECTION										