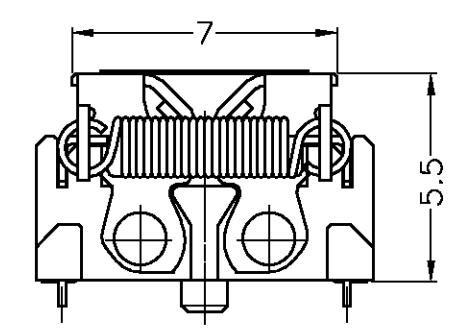
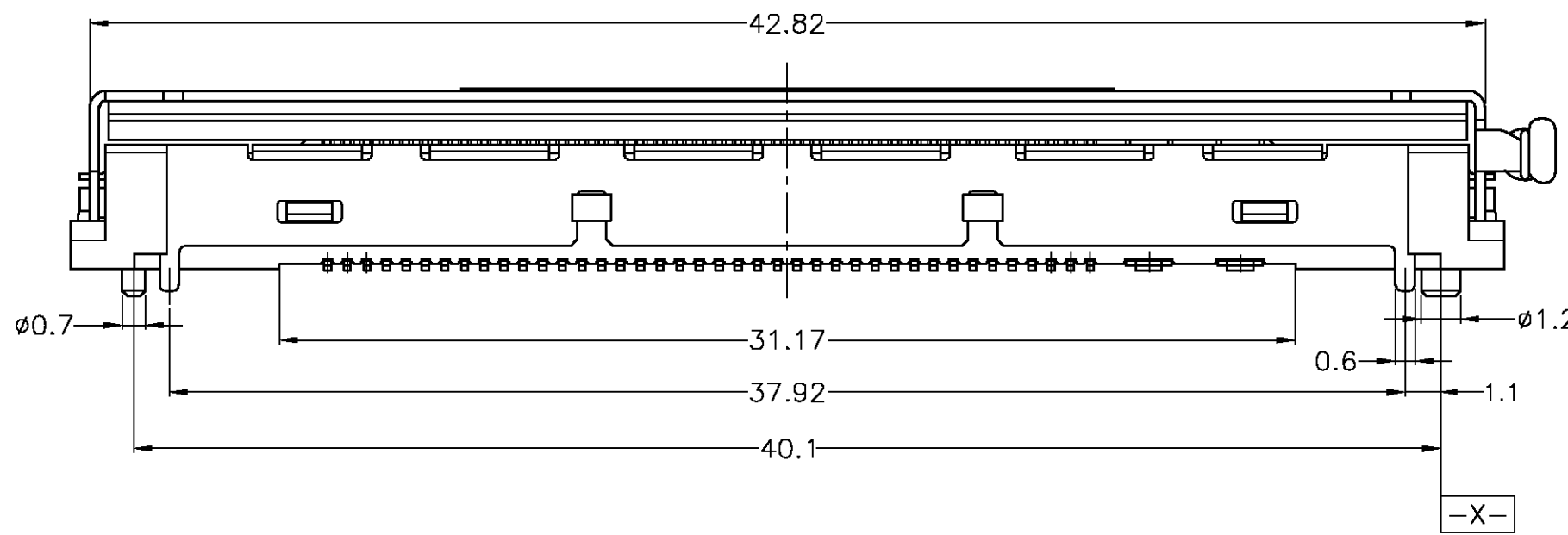
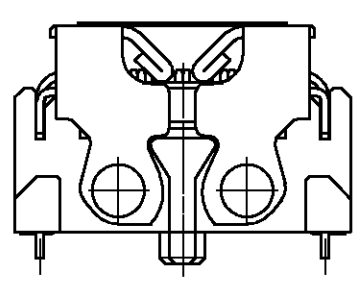
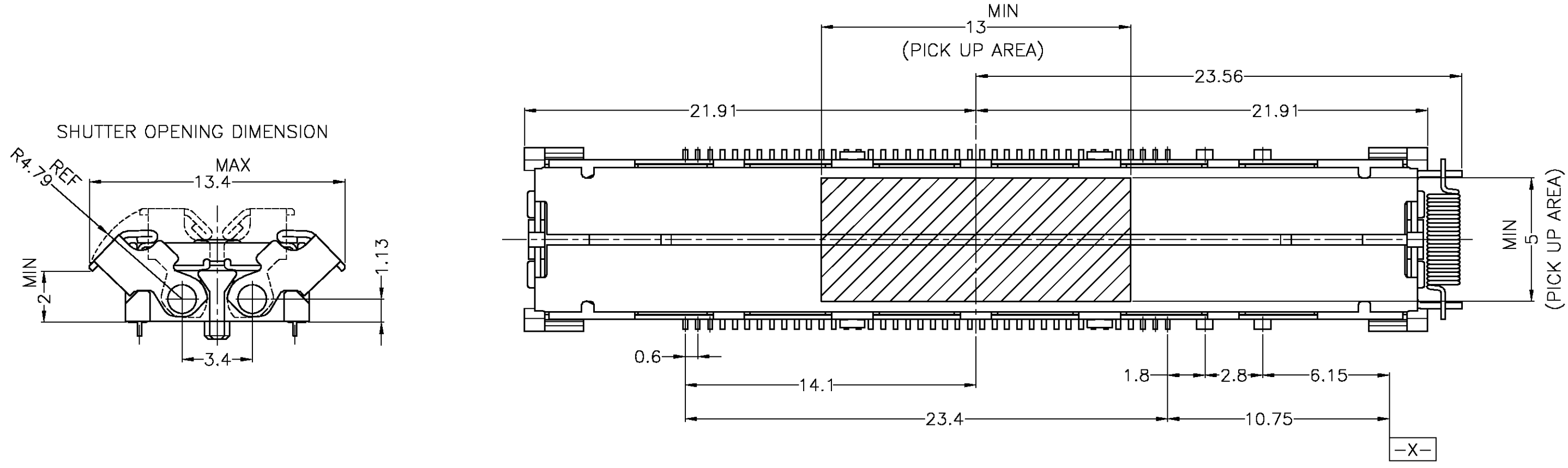


THIS DRAWING IS UNPUBLISHED. RELEASED FOR PUBLICATION  
 © COPYRIGHT BY TYCO ELECTRONICS CORPORATION. ALL RIGHTS RESERVED.

LOC	DIST	REVISIONS					
J	-	P	LTR	DESCRIPTION	DATE	DWN	APVD
		E		REVISED(FJB0-1135-04)	10DEC04	M.K	Y.Y

-1,-2,-3 ; AS SHOWN



**NOTE**  
 ▲ MATERIAL  
 HOUSING : THERMOPLASTIC, UL94V-0, BLACK  
 SIGNAL CONTACT: COPPER ALLOY  
 POWER CONTACT : COPPER ALLOY  
 GROUND PLATE : COPPER ALLOY  
 SHUTTER COVER, SPRING : STAINLESS STEEL  
 ▲ FINISH  
 SIGNAL CONTACT & POWER CONTACT:  
 Au PI. ON CONTACT AREA  
 Sn-Pb PI. ON SOLDER AREA  
 Ni UNDER PI. ALL OVER  
 GROUND PLATE: 1674154-1 : TIN-PI. (REFLOW)  
 1674154-2,-3 : SELECTIVE TIN-PI. (REFLOW)  
 SHUTTER COVER: 1674154-1,-3 : BLACK Ni PL.  
 1674154-2 : NO PLATING(SILVER COLOR)  
 3 APPLICABLE THICKNESS OF P.C.BOARD :1.2±0.1mm  
 4 CONNECTOR TO BE MATED :1674147-1,1674147-2  
 5 TRAY MATERIAL ; PS COLOR ; NATURAL  
 6 DIMENSION OF CONNECTOR AND RECOMMENDED P.C-BOARD LAYOUT : SEE DRAWING NUMBER 1674142-1  
 7 THE DIRECTION OF EACH CONNECTOR ON A TRAY IS REFERRED TO THIS DRAWING.  
 8 GENERAL TOLERANCE : ±0.3 ±3°  
 9 QUANTITY : 50EA/TRAY

**注記**  
 ▲ 材質  
 ハウジング : 熱可塑性樹脂 UL94V-0, 黒  
 シグナルコンタクト: 銅合金  
 パワーコンタクト : 銅合金  
 グランドプレート : 銅合金  
 シャッターカバー、スプリング : ステンレス鋼  
 ▲ 仕上げ  
 シグナルコンタクト & パワーコンタクト :  
 ニッケル下地接点部金めっき、はんだ付け部はんだめっき  
 グランドプレート: 1674154-1 : すずめっき(リフロー)  
 1674154-2,-3 : 部分すずめっき(リフロー)  
 シャッターカバー: 1674154-1,-3 : 黒色ニッケルめっき  
 1674154-2 : めっきなし(シルバー色)  
 3 適用基板厚 : 1.2±0.1mm  
 4 かん合相手型番 : 1674147-1,1674147-2  
 5 トレイ材質 ; PS 色 ; NATURAL  
 6 コネクタの寸法と基板のレイアウトは 1674142-1 を参照のこと  
 7 トレイの寸法とコネクタの方向は本図を参照のこと  
 8 一般公差 : ±0.3 ±3°  
 9 数量 : 50EA/TRAY

BLACK	SELECTIVE TIN-PLATED(REFLOW)	1674154-3
SILVER	SELECTIVE TIN-PLATED(REFLOW)	1674154-2
BLACK	TIN-PLATED(REFLOW)	1674154-1
SHUTTER COLOR	GROUND PLATE FINISH	PARTS NUMBER

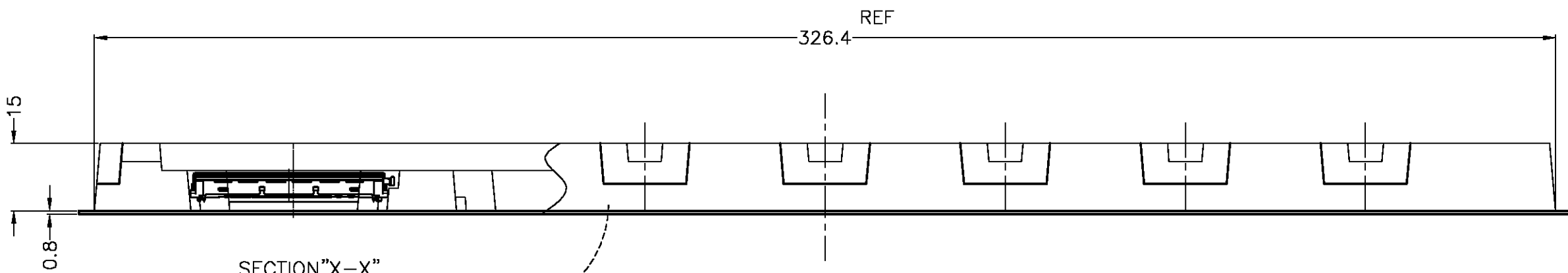
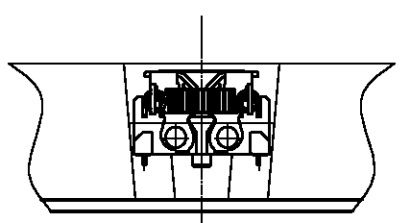
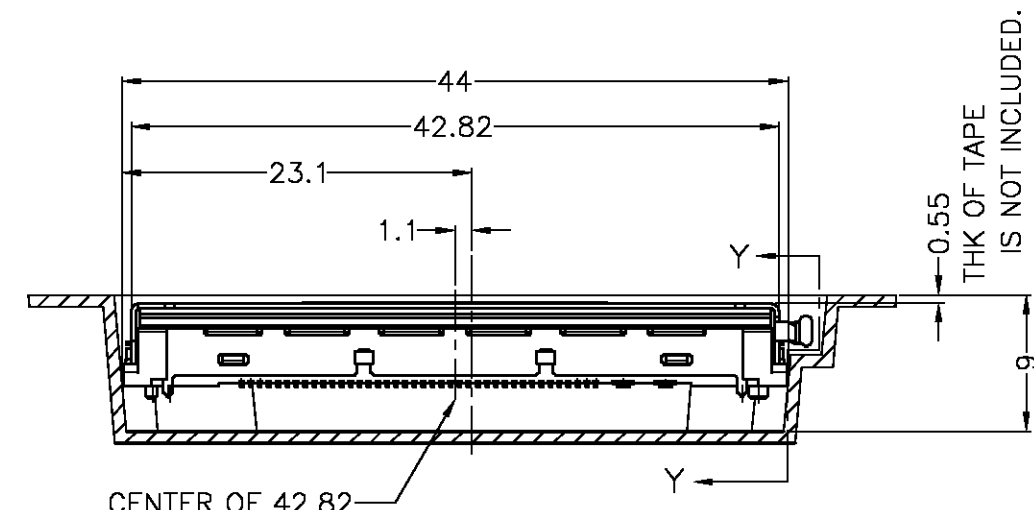
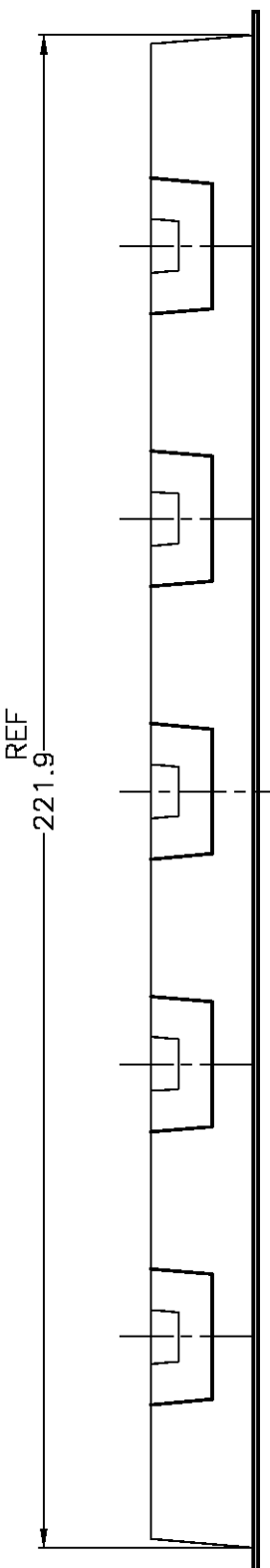
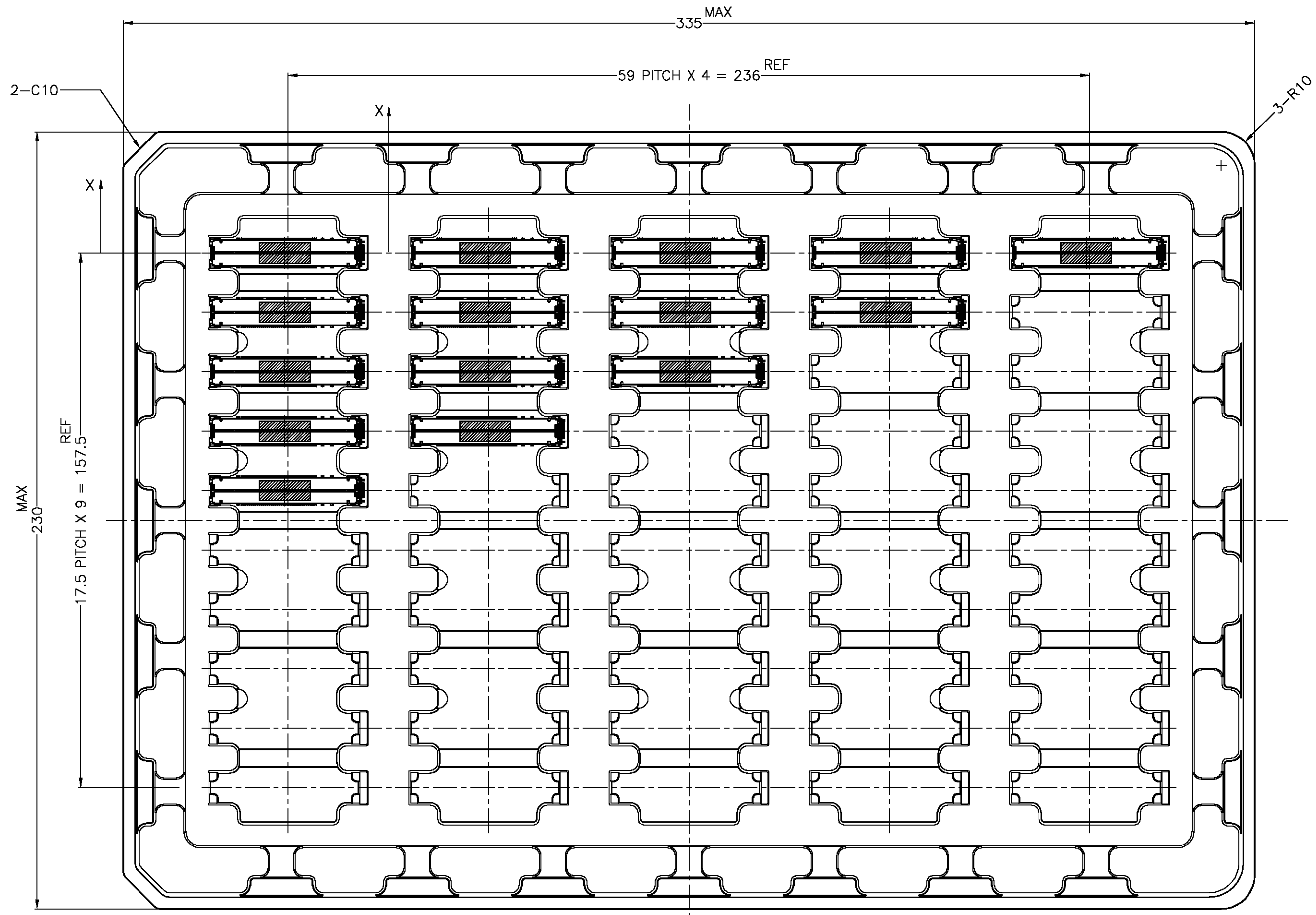
THIS DRAWING IS A CONTROLLED DOCUMENT.

DWN	N.SASAME	90CT02	Tyco Electronics AMP K.K. Kawasaki, Japan
CHK	H.SHIRAI	90CT02	
APVD	Y.YAMAMOTO	90CT02	
NAME	0.6 DOCKING CONNECTOR W/SHUTTER		
PRODUCT SPEC	108-5848		PLUG 80P + POWER 4P
APPLICATION SPEC	取付適用規格		RESTRICTED TO
WEIGHT	3.0 g	SCALE	5:1
CUSTOMER DRAWING	SIZE	A2	SHEET 1 OF 3
	CAGE CODE	00779	REV E
	DRAWING NO	1674154	

THIS DRAWING IS UNPUBLISHED. RELEASED FOR PUBLICATION  
 © COPYRIGHT BY TYCO ELECTRONICS CORPORATION. ALL RIGHTS RESERVED.

LOC		DIST		REVISIONS			
P	LTR	DESCRIPTION	DATE	DWN	APVD		
-	-	SEE SHEET 1	-	-	-		

# SEMI HARD TRAY ASSY

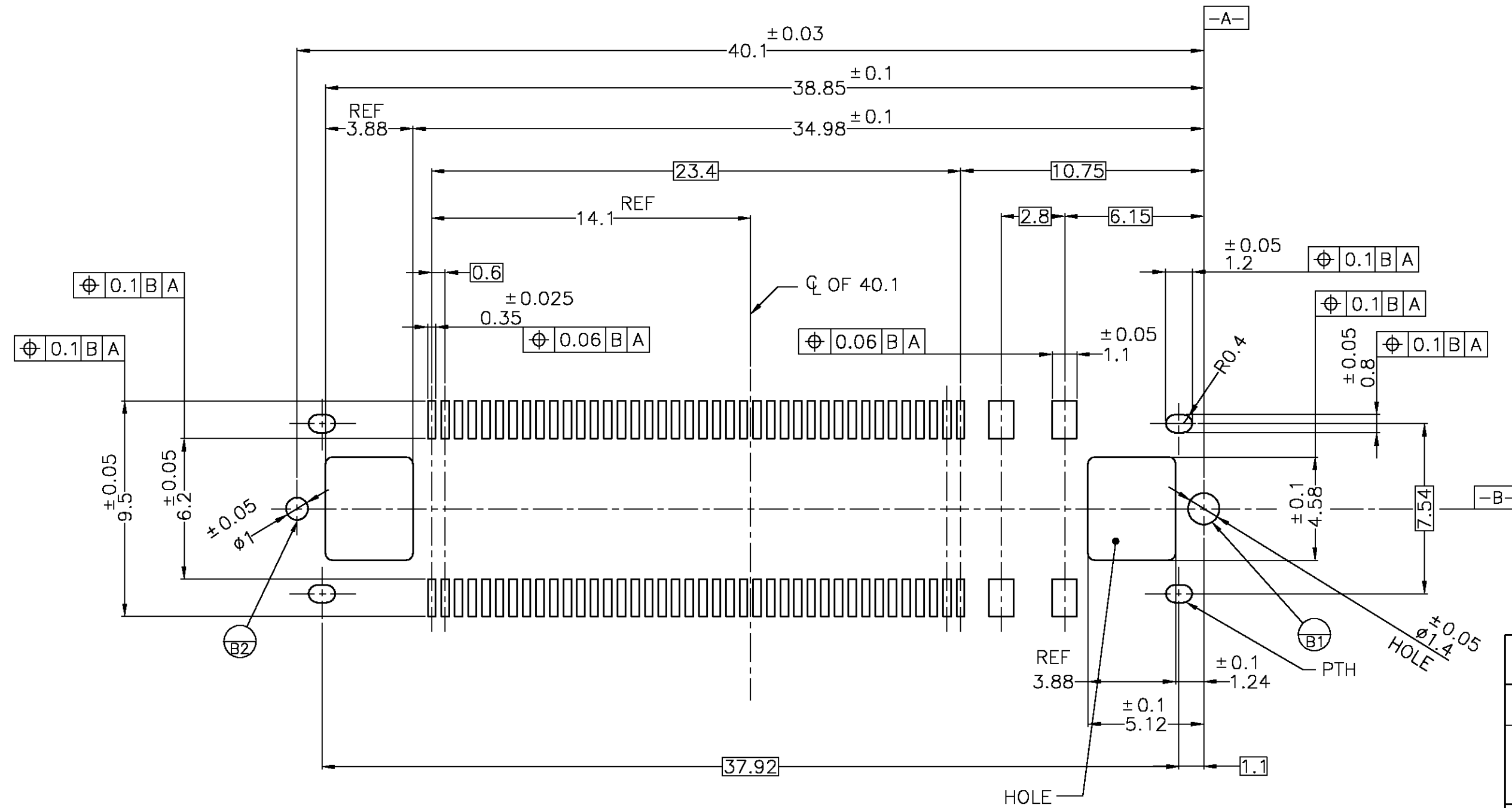
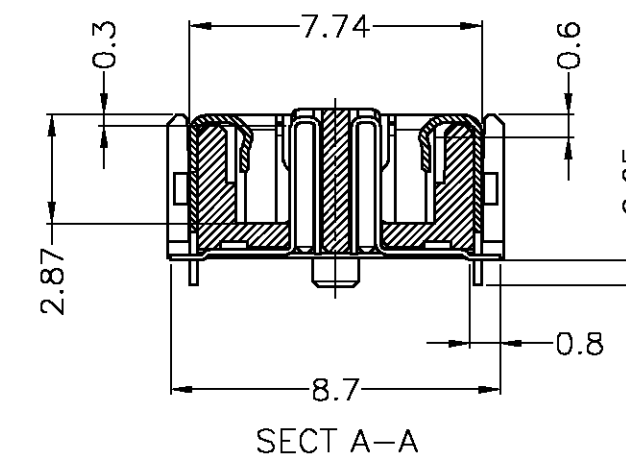
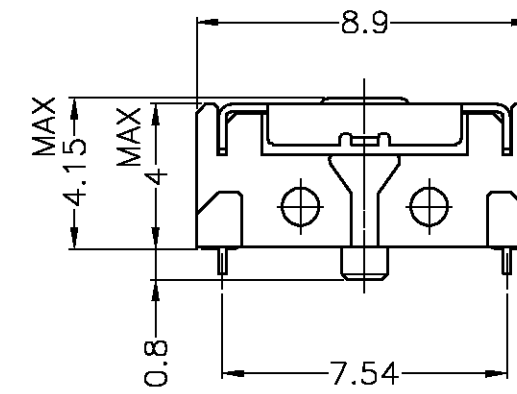
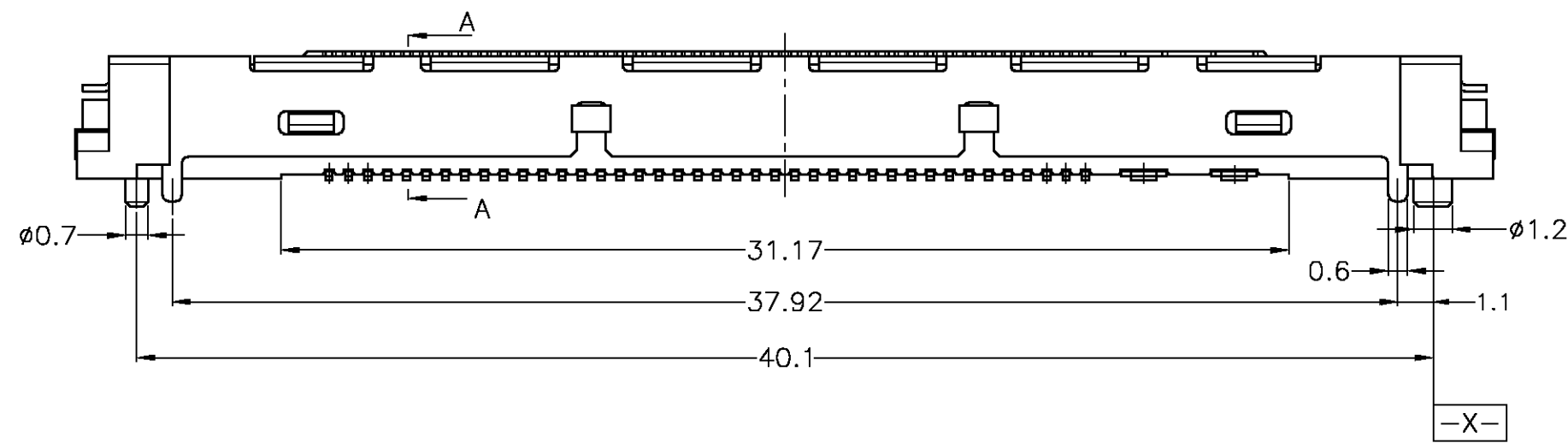
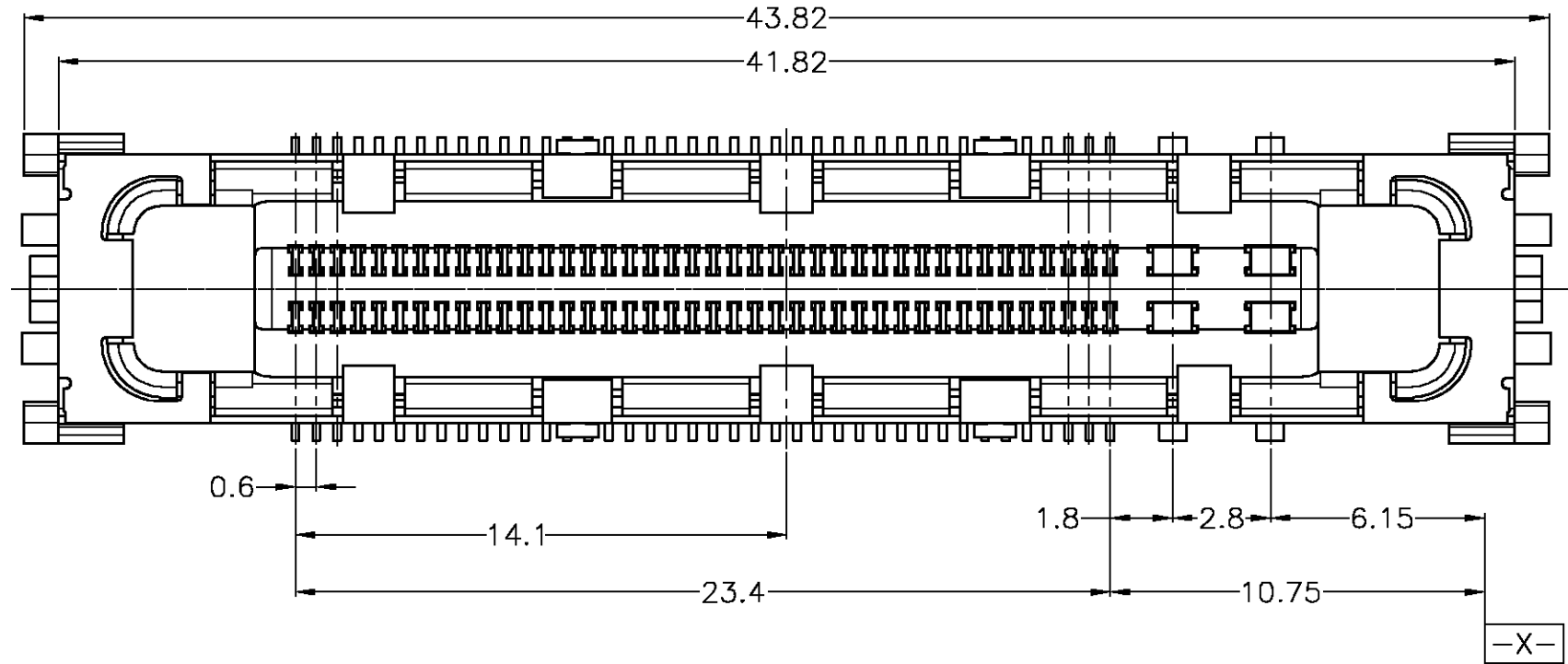


THIS DRAWING IS A CONTROLLED DOCUMENT.		DWN	<b>tyco</b> Tyco Electronics AMP K.K.	
DIMENSIONS: 单位: 转 MM		CHK	Kawasaki, Japan	
TOLERANCES UNLESS OTHERWISE SPECIFIED 一般公差		APVD	NAME 名称 0.6 DOCKING CONNECTOR W/SHUTTER	
0 PLC ±	1 PLC ±	PRODUCT SPEC 製品規格	PLUG 80P + POWER 4P	
2 PLC ±	3 PLC ±	APPLICATION SPEC 取付適用規格	SIZE A2	CAGE CODE 00779
4 PLC ±	ANGLES ±	WEIGHT	DRAWING NO 番号 C=1674154	RESTRICTED TO -
MATERIAL 材料	FINISH 仕上	CUSTOMER DRAWING	SCALE 尺度 FREE	SHEET 2 OF 3

THIS DRAWING IS UNPUBLISHED. RELEASED FOR PUBLICATION  
 © COPYRIGHT BY TYCO ELECTRONICS CORPORATION. ALL RIGHTS RESERVED.

LOC		DIST		REVISIONS					
J				P	LTR	DESCRIPTION	DATE	DWN	APVD
						SEE SHEET 1			

WITHOUT SHUTTER



© RECOMMENDED P.C. BOARD LAYOUT

THIS DRAWING IS A CONTROLLED DOCUMENT.		DWN	
DIMENSIONS: 單位: 轉 MM		CHK	
TOLERANCES UNLESS OTHERWISE SPECIFIED 一般公差		APVD	
0 PLC	±	PRODUCT SPEC	製品規格
1 PLC	±	APPLICATION SPEC	取付適用規格
2 PLC	±	WEIGHT	
3 PLC	±	CUSTOMER DRAWING	
4 PLC	±	SCALE	尺庫 FREE
ANGLES	±	SHEET	3 OF 3
FINISH 仕上		REV	E

Tyco Electronics AMP K.K. Kawasaki, Japan		NAME 名称	
0.6 DOCKING CONNECTOR W/SHUTTER		PLUG 80P + POWER 4P	
SIZE	CAGE CODE	DRAWING NO 番号	RESTRICTED TO
A2	00779	C=1674154	