

NOTES:

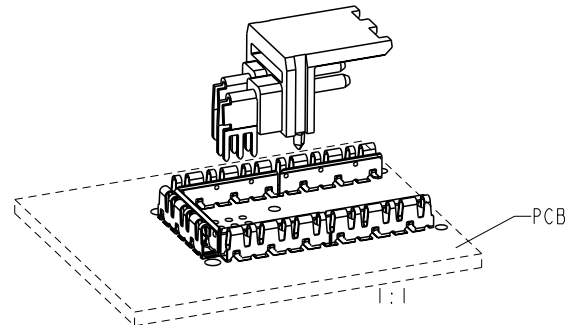
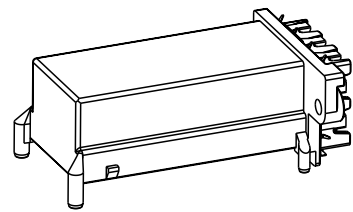
1. BODY MATERIAL: LIQUID CRYSTAL POLYMER 30% GLASS FLAME RETARDANT ACC. UL 94 V0
2. COVER MATERIAL: ZINC ALLOY
3. TERMINAL MATERIAL: TINBRONZE
4. GROUND SPRING MATERIAL: STAINLESS STEEL
5. CONTACT STRIP MATERIAL: STAINLESS STEEL
6. PCB THICKNESS: 1.8-2.4 mm.
7. PRODUCT MARKING: PART NUMBER & MANUFACT. DATE

8-ROHS INFORMATION:

-This product meets European Union Directives and other country regulations as described in GS-22-008.

-The housing will withstand exposure to 260°C peak temperature for 10 second in a wave solder application with a 1.6mm minimum thick circuit board. See Application notes/procedures if they are available.

-Packaging spec: see GS-14-920.



Copyright FCI.

rev	ecn no	dr	date
A	SW 8041	RNA	1998/03/20
B	SW 8087	SDc	1998/04/24
C	SW 9142	HCA	1999/11/24
D	SW 0019	JJA	2000/02/24
E	LS05-0080	JTA	2005/11/30
F	LS06-0143	LGO	2006/09/26
G	LS07-0255	JTA	2007/11/12

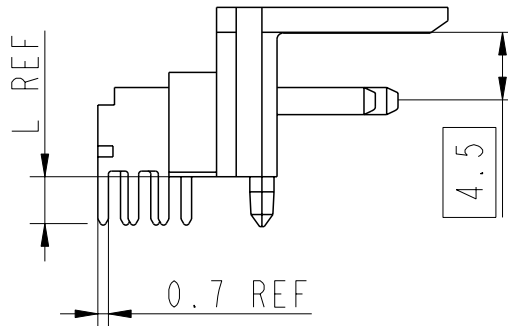
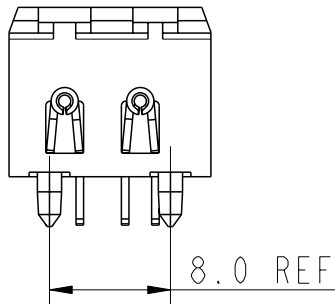
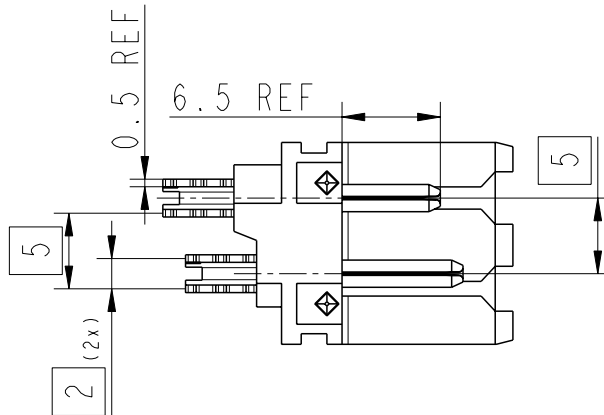
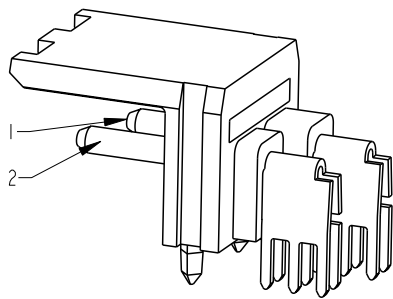


Performance level	
72847-1XXLF	Telcordia CO.
72847-2XXLF	Customer Special

www.fciconnect.com		surface ISO 1302	✓	tolerance std ISO 406 ISO 1101	projection mm	mm	
TOLERANCES UNLESS OTHERWISE SPECIFIED							
Dr	JJA	1998/03/20	ANGULAR	LINEAR	0.X	±0.3	size A4
Eng	J Grek	1998/03/23			0.XX	±0.1	
Chr	H Carneling	1998/03/24	0°	±2°	0.XXX	±0.05	ECN LS07-0255
Appr	J Jacobsson	1998/03/25	Product family		Sofix		Spec ref RELEASED
		title CONCEPT RIGHT ANGLE HEADER POWER WITHOUT FILTER			dwg no 72847_C		Rev. G
catalog no		CUSTOMER			sheet 1 of 6		

REV F - 2006-04-17

CONNECTOR



LEAD FREE PRODUCT NUMBER

KIT: 72847-X0XLF	
COMPONENTS	QTY
GROUP SPRING	1
SHIELD COVER	1
CONNECTOR	1
CONTACT SPRING	1

LEAD FREE PRODUCT NUMBER

PRODUCT NUMBER	L
72841-X02LF	2.2
72841-X03LF	2.7



Dimension with oval around are critical dimensions including any attached geometrical tolerance. Other features or stand-alone geometrical tolerances being critical have a note "CRITICAL FEATURE" below the item
 A symbol $\triangle x$ (x: drawing current revision) will be next to any dimension, view or note which has been modified with the current drawing revision

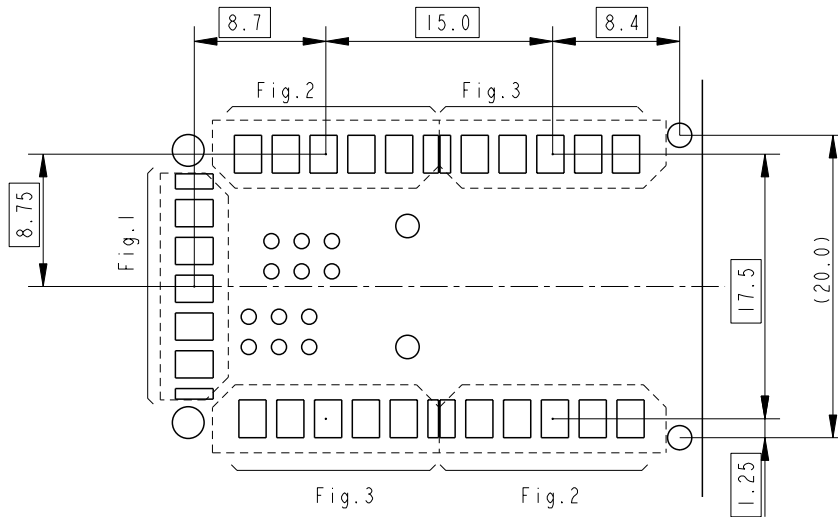
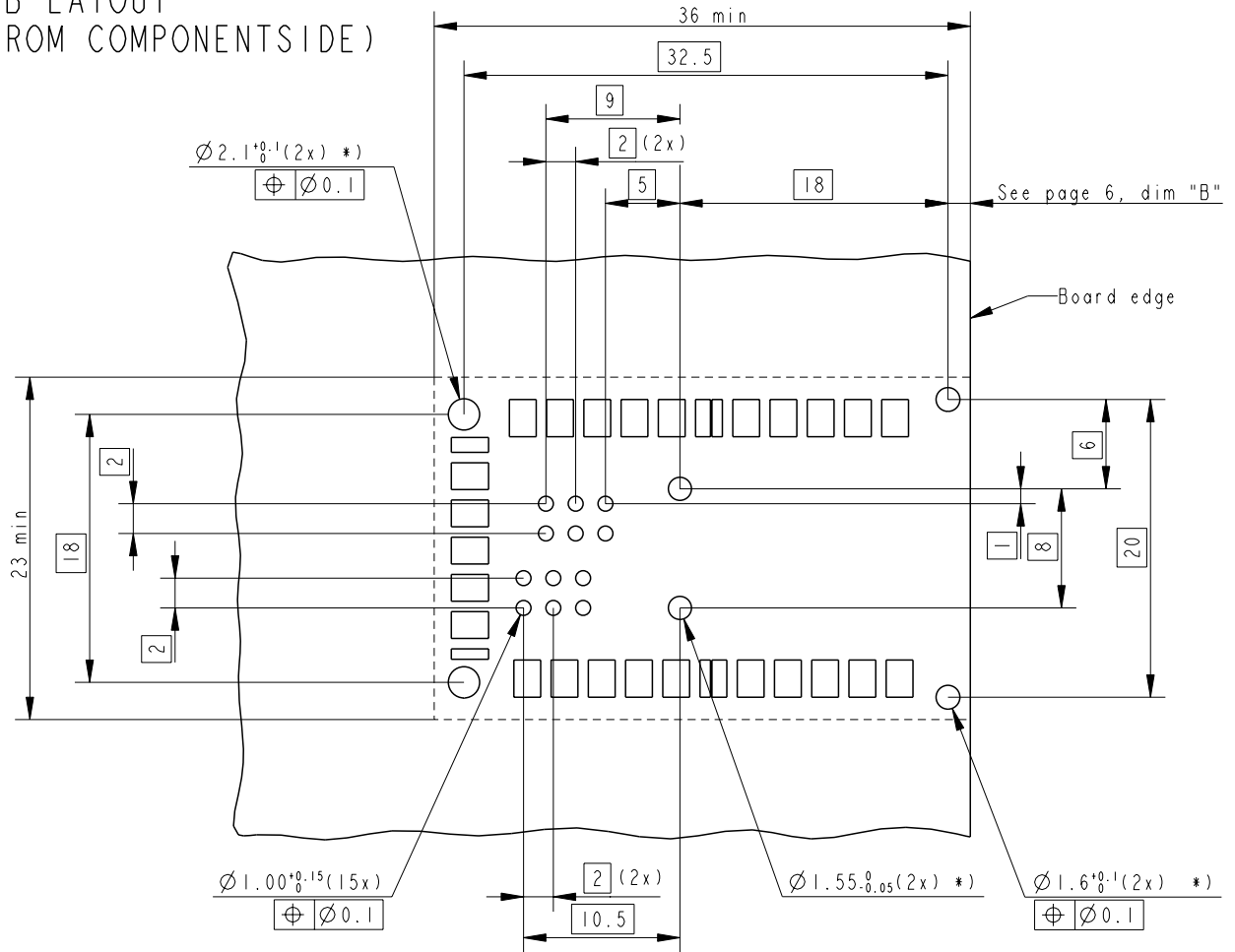


Copyright FCI.

www.fciconnect.com			surface ISO 1302	tolerance std ISO 406 ISO 1101	projection 	mm 		
			TOLERANCES UNLESS OTHERWISE SPECIFIED					
Dr	JJA	1998/03/20	ANGULAR	LINEAR	0.X	±0.3	size A4	Scale 1:1
Eng	J Grek	1998/03/23			0.XX	±0.1		
Chr	H Carneling	1998/03/24	0°	±R°	0.XXX	±0.05	ECN	LS07-0255
Appr	J Jacobsson	1998/03/25	Product family			Sofix	Spec ref	RELEASED
	title				dwg no	72847_C	Rev. G	
	CONCEPT RIGHT ANGLE HEADER POWER WITHOUT FILTER							
catalog no				CUSTOMER		sheet 2 of 6		

REV F - 2006-04-17

PCB LAYOUT
(FROM COMPONENTS SIDE)



*) unplated holes



Copyright FCI.

www.fciconnect.com			surface ISO 1302	✓	tolerance std ISO 406 ISO 1101	projection A4	mm ↔
			TOLERANCES UNLESS OTHERWISE SPECIFIED				
Dr	JJA	1998/03/20	ANGULAR	LINEAR	0.X	±0.3	size A4
Eng	J Grek	1998/03/23			0.XX	±0.1	
Chr	H Carneling	1998/03/24	0°	±R°	0.XXX	±0.05	ECN LS07-0255
Appr	J Jacobsson	1998/03/25	Product family			Sofix	Spec ref RELEASED
	title CONCEPT RIGHT ANGLE HEADER POWER WITHOUT FILTER				dwg no 72847_C	Rev. G	
	catalog no					CUSTOMER	sheet 3 of 6

REV F - 2006-04-17

PDM: Rev:G

STATUS: Released

Printed: Aug 01, 2010

Fig 1

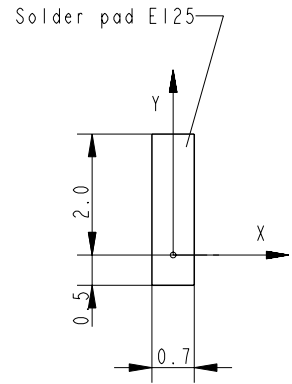
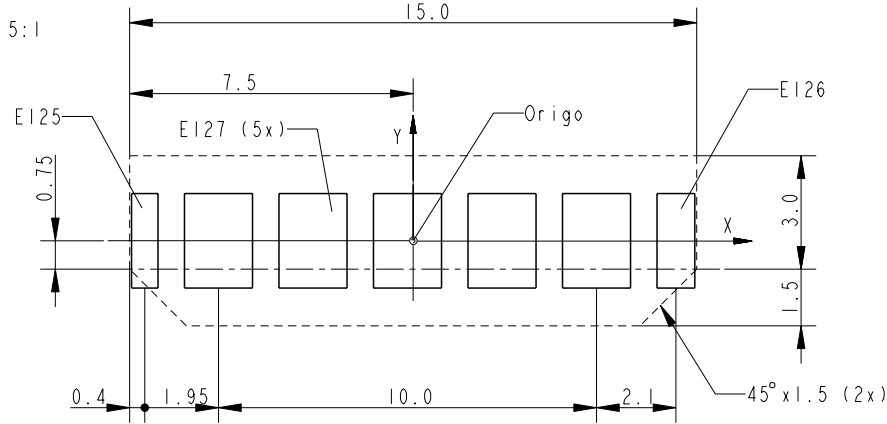


Fig 2

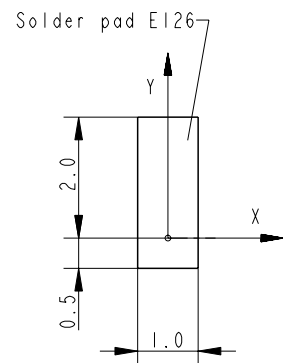
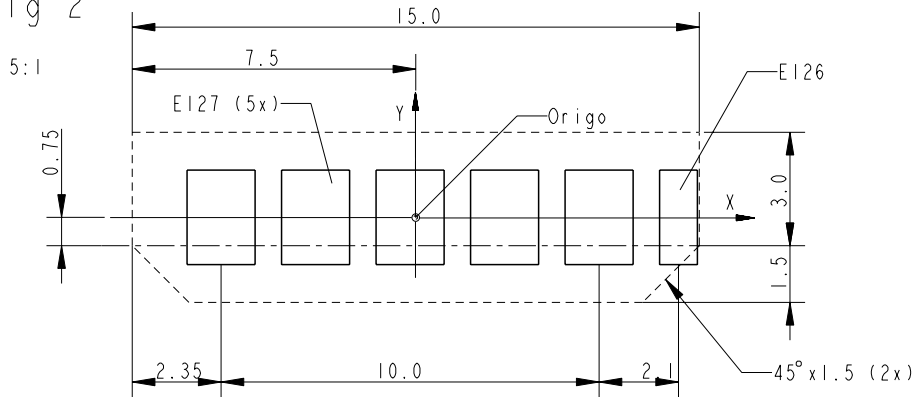
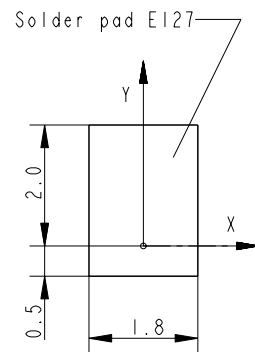
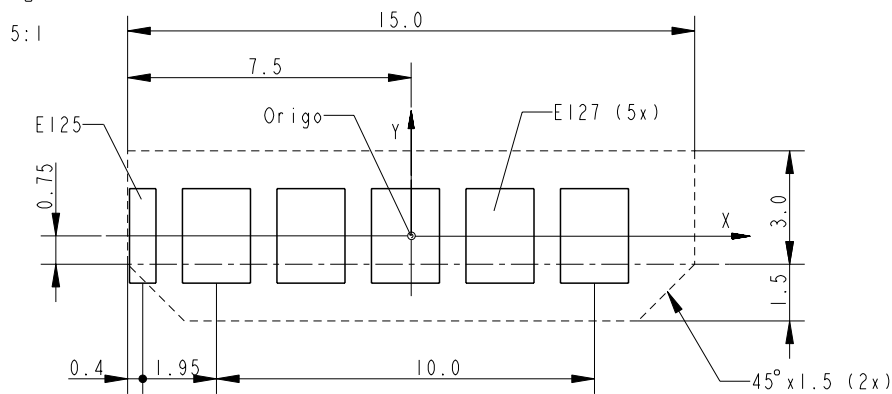


Fig 3

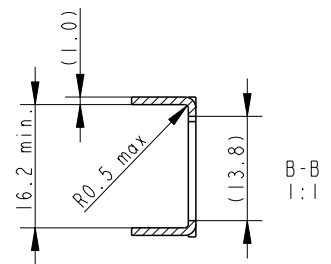
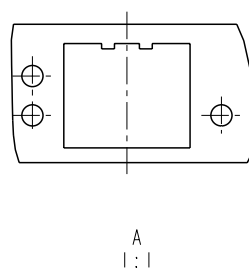
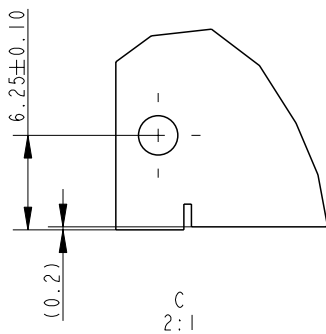
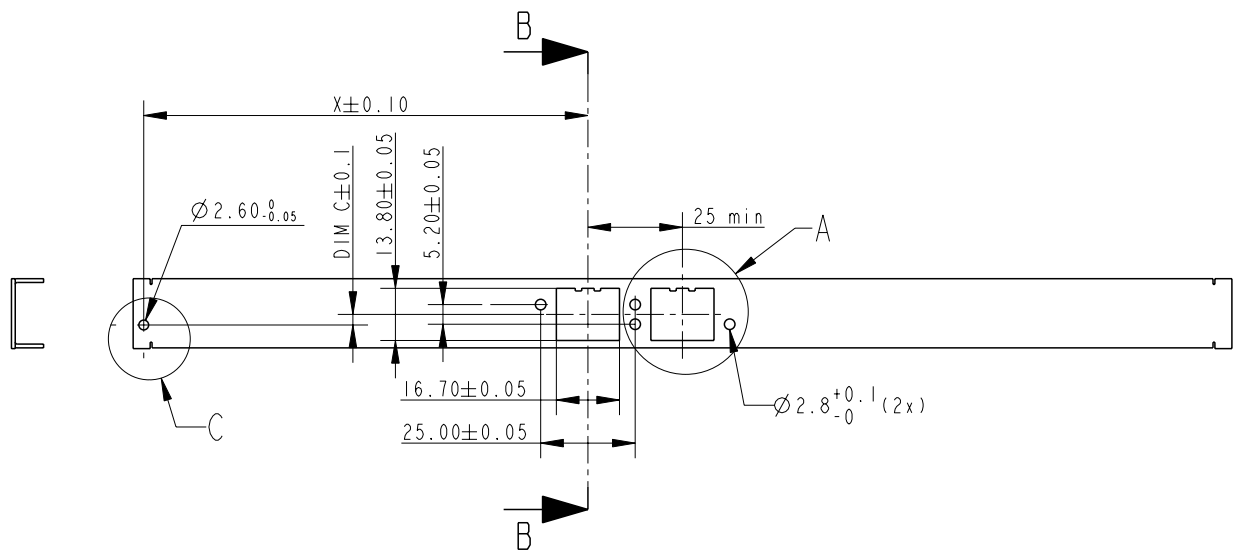
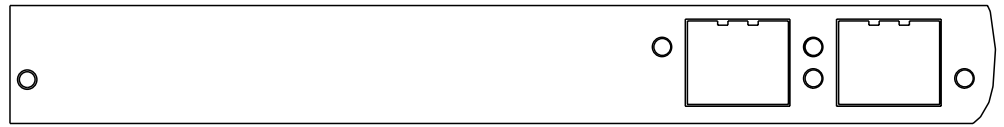
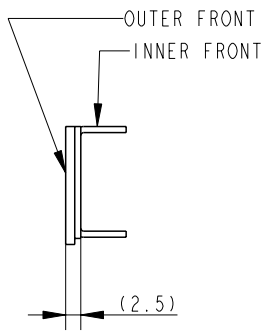


Copyright FCI.

www.fciconnect.com		surface ISO 1302	<input checked="" type="checkbox"/>	tolerance std ISO 406 ISO 1101	projection 	mm
		TOLERANCES UNLESS OTHERWISE SPECIFIED				
Dr	JJA	1998/03/20	ANGULAR	LINEAR	0.X	±0.3
Eng	J Grek	1998/03/23			0.XX	±0.1
Chr	H Carneling	1998/03/24	0° ±R°		0.XXX	±0.05
Appr	J Jacobsson	1998/03/25	Product family		Sofix	ECN LS07-0255
title		CONCEPT RIGHT ANGLE			dwg no	72847_C
title		HEADER POWER WITHOUT FILTER				Rev. G
catalog no		CUSTOMER			sheet 4 of 6	

REV F - 2006-04-17

FRONT LAYOUT



BUILDING PRACTICE	DIM A
IEC 60917-2-2	2.80
IEC 60297-3 (19")	2.76



Copyright FCI.

www.fciconnect.com			surface ISO 1302 ✓		tolerance std ISO 406 ISO 1101		projection mm	
			TOLERANCES UNLESS OTHERWISE SPECIFIED				size A4	
Dr	JJA	1998/03/20	ANGULAR	LINEAR	0.X	±0.3	Scale 1:1	
Eng	J Grek	1998/03/23			0.XX	±0.1		
Chr	H Carneling	1998/03/24	0° ±R°		0.XXX	±0.05	ECN LS07-0255	
Appr	J Jacobsson	1998/03/25	Product family Sofix			Spec ref RELEASED		
			title CONCEPT RIGHT ANGLE HEADER POWER WITHOUT FILTER			dwg no 72847_C		Rev. G
catalog no			CUSTOMER			sheet 5 of 6		

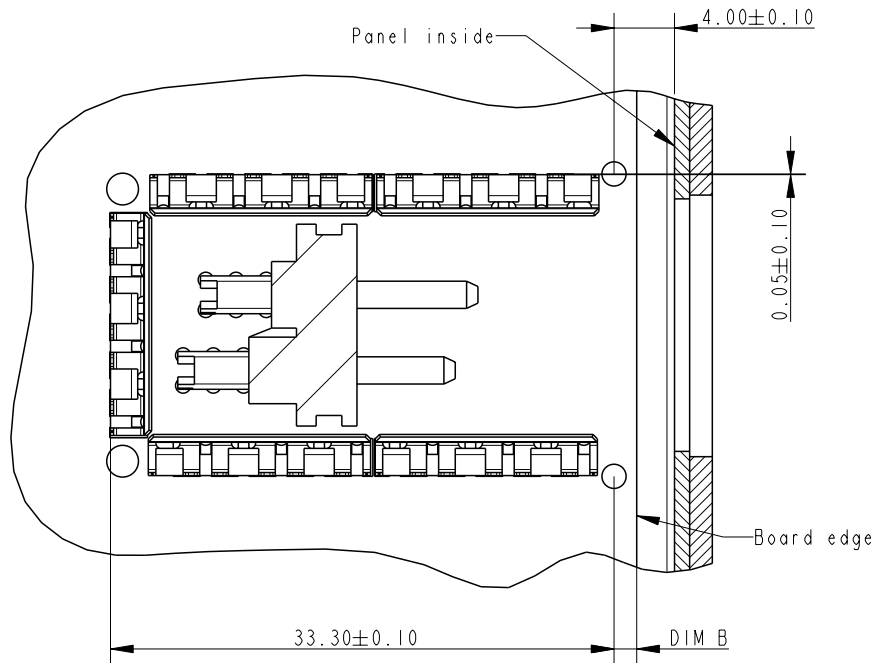
REV F - 2006-04-17

PDM: Rev:G

STATUS: Released

Printed: Aug 01, 2010

ASSEMBLY LAYOUT



A - A
2:1

BUILDING PRACTICE	DIM A	DIM B
IEC 60917-2-2	2.5	1.5
IEC 60297-3 (19")	2.54	1.46

www.fciconnect.com

surface
ISO 1302

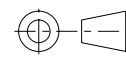


tolerance std
ISO 406 ISO 1101

projection
size A4

mm

TOLERANCES UNLESS OTHERWISE SPECIFIED



Dr	JJA	1998/03/20	ANGULAR	LINEAR	0.X	±0.3	size	A4	Scale	3:2	
Eng	J Grek	1998/03/23			0.XX	±0.1					
Chr	H Carneling	1998/03/24	0° ±R°		0.XXX	±0.05	ECN	LS07-0255			
Appr	J Jacobsson	1998/03/25	Product family			Sofix		Spec ref	RELEASED		
	title				dwg no		Rev.				
	CONCEPT RIGHT ANGLE HEADER POWER WITHOUT FILTER				72847_C		G				
catalog no				CUSTOMER				sheet 6 of 6			

REV F - 2006-04-17

PDM: Rev:G

STATUS: Released

Printed: Aug 01, 2010



Copyright FCI.