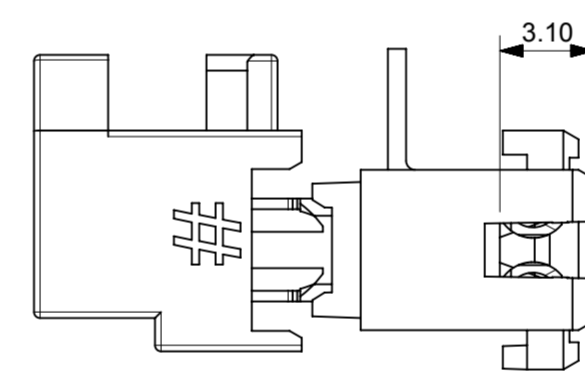
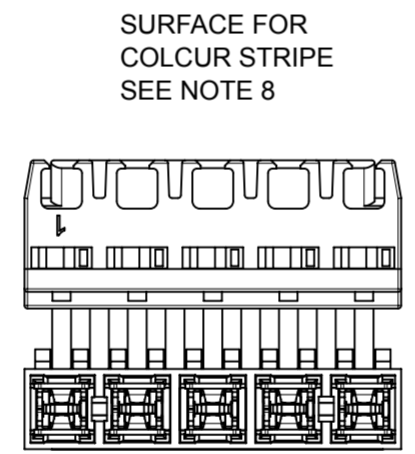
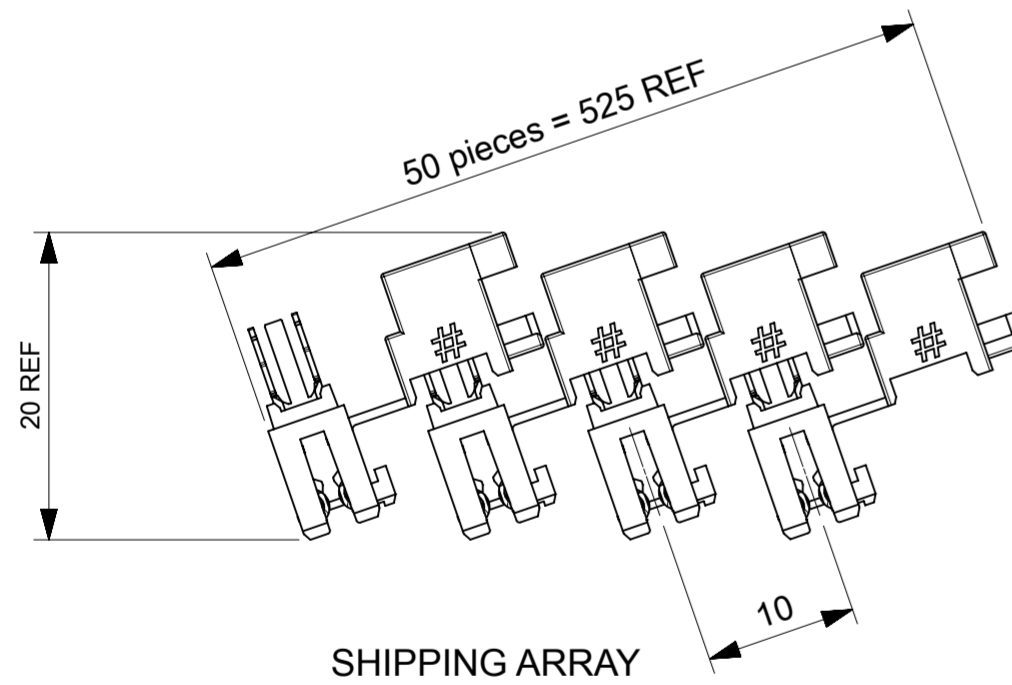
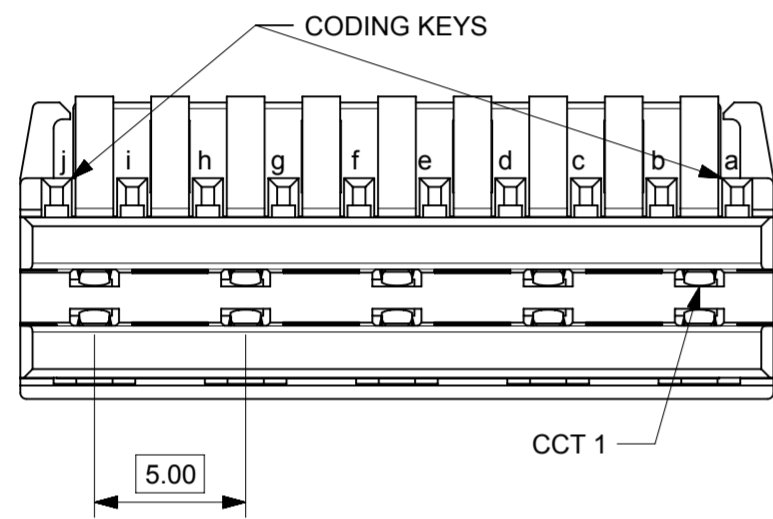
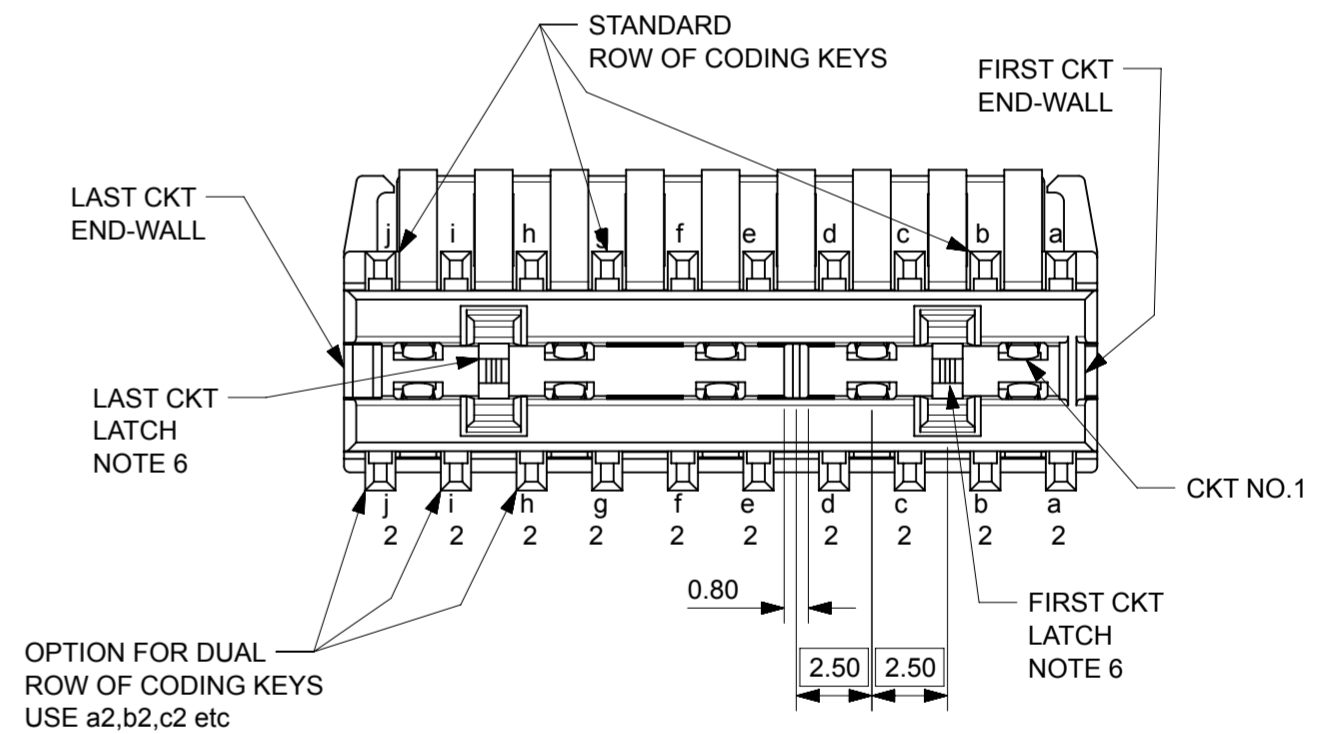


\*SEE NOTE 6 FOR LATCHING INFORMATION



ADDITIONAL OPTIONS



PRE-RELEASE  
REFERENCE  
USE ONLY

CKT	DIM A	DIM B	DIM C	DIM D
2	5	9.9	7.3	-
3	10	14.9	12.3	5
4	15	19.9	17.3	10
5	20	24.9	22.3	15
6	25	29.9	27.3	20
7	30	34.9	32.3	25
8	35	39.9	37.3	30
9	40	44.9	42.3	35
10	45	49.9	47.3	40
11	50	54.9	52.3	45
12	55	59.9	57.3	50

NOTES:

- MATERIAL: HOUSING: PA 6  
TERMINAL: PHOSPHOR BRONZE OR COPPER ALLOY  
PLATING: TIN(6A) OR SILVER(10A)
- PRODUCT SPECIFICATION: 916270001 PS
- SEE SUBSEQUENT SHEETS FOR PART NUMBERING INFORMATION
- LATCHES RECOMMENDED WHERE LOCKING VIA HEADER, GUIDEFRAME OR COMPONENT ENCLOSURE IS NOT POSSIBLE.
- APPLICATION SPECIFICATION: 916270001 AS
- 2 CCT OPTIONS WITH LATCH WILL HAVE HALF LATCH ONLY  
3CCT OPTIONS WITH 2 LATCHES WILL HAVE HALF LATCH BETWEEN CCTS 1&2 AND FULL LATCH BETWEEN CCTS 2&3
- PACKAGING SPECIFICATION: 916270001 PK
- COLOUR STRIPE IS OPTIONAL.  
AVAILABLE IN THE FOLLOWING COLOURS; BLUE, RED, GREEN & BLACK.  
ASTERISK IN CHART INDICATES FULL SURFACE COVERAGE.

THIS DRAWING CONTAINS INFORMATION THAT IS PROPRIETARY TO MOLEX ELECTRONIC TECHNOLOGIES, LLC AND SHOULD NOT BE USED WITHOUT WRITTEN PERMISSION									
DIMENSION UNITS		SCALE		CURRENT REV DESC: UPDATED ENDWAL					
mm		10:1		J,K,L					
GENERAL TOLERANCES (UNLESS SPECIFIED)				EC NO: 614393					
ANGULAR TOL ± 2.0°				4 PLACES ±		DRWN: AKABADI		2019/03/22	
3 PLACES ±				2 PLACES ± 0.1		CHK'D: TCLEARY		2019/03/28	
1 PLACE ± 0.2				0 PLACES ±		APPR:		INITIAL REVISION:	
DRAFT WHERE APPLICABLE MUST REMAIN WITHIN DIMENSIONS				THIRD ANGLE PROJECTION		DRAWING		SERIES	
				A2-SIZE		91627		MATERIAL NUMBER	
				SEE TABLES		CUSTOMER		SHEET NUMBER	
				GENERAL MARKET		PSD 000		G	
				1 OF 11					

**molex**

RAST PWR IDT CONN 5MM PITCH

PRODUCT CUSTOMER DRAWING

DOCUMENT NUMBER: 916270001

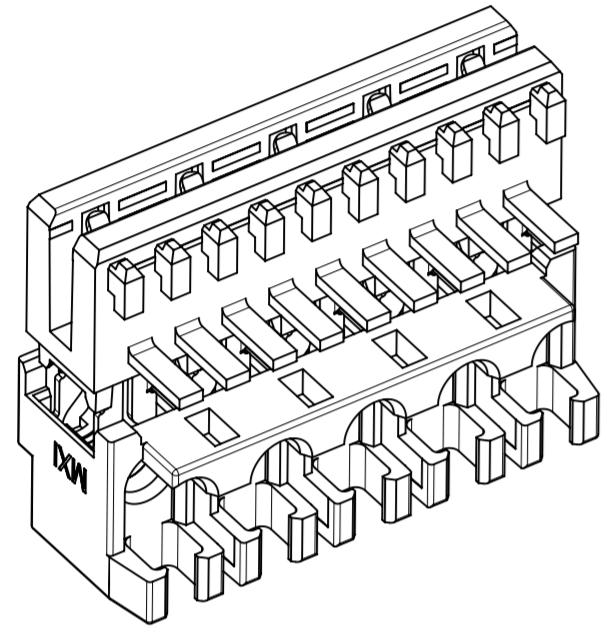
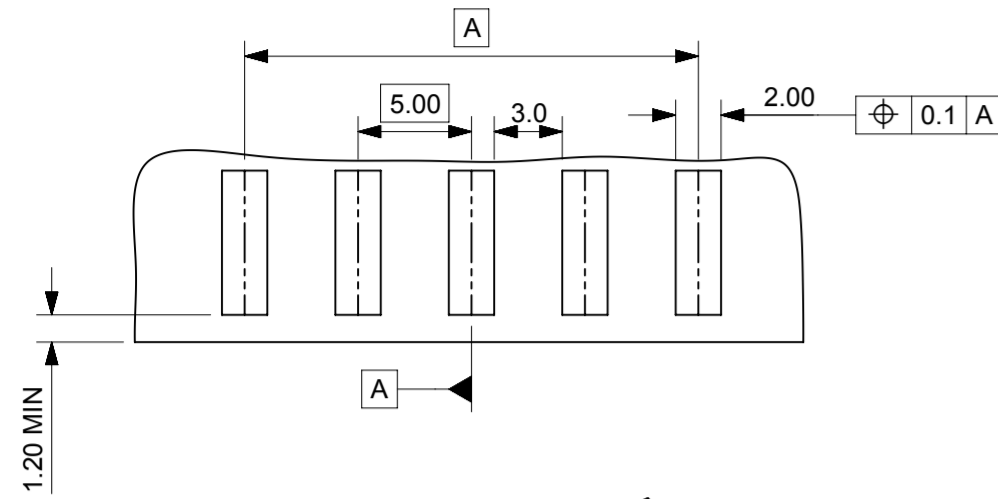
CUSTOMER: GENERAL MARKET

SHEET NUMBER: 1 OF 11

DOCUMENT STATUS	RV	RELEASE DATE
-----------------	----	--------------

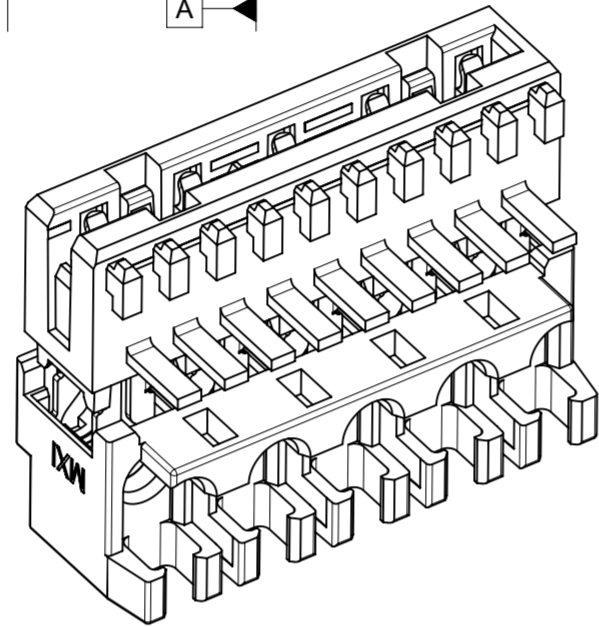
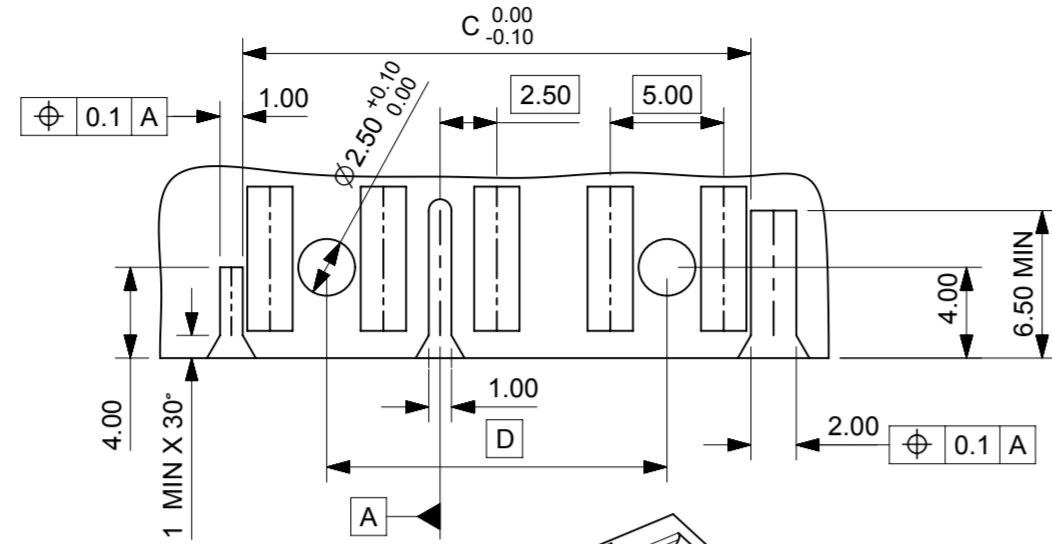
SINGLE ROW CODING KEYS OPEN  
END WALLS WITH LATCHES

END WALLS OPEN	
FIRST END WALL	LAST END WALL
OPEN	OPEN



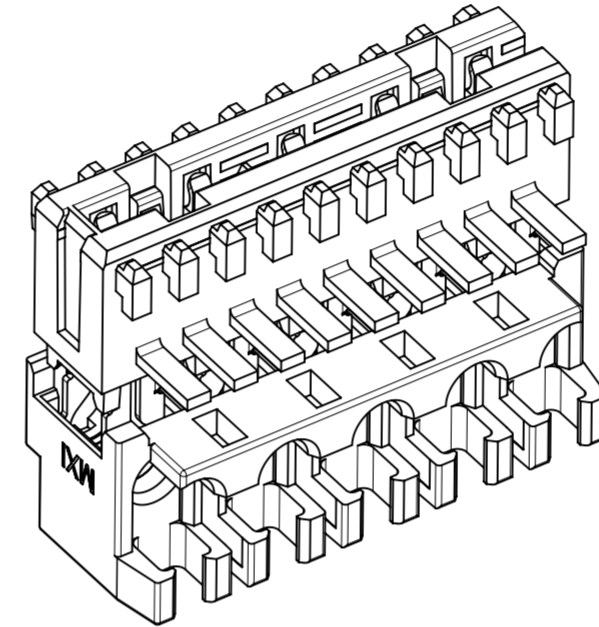
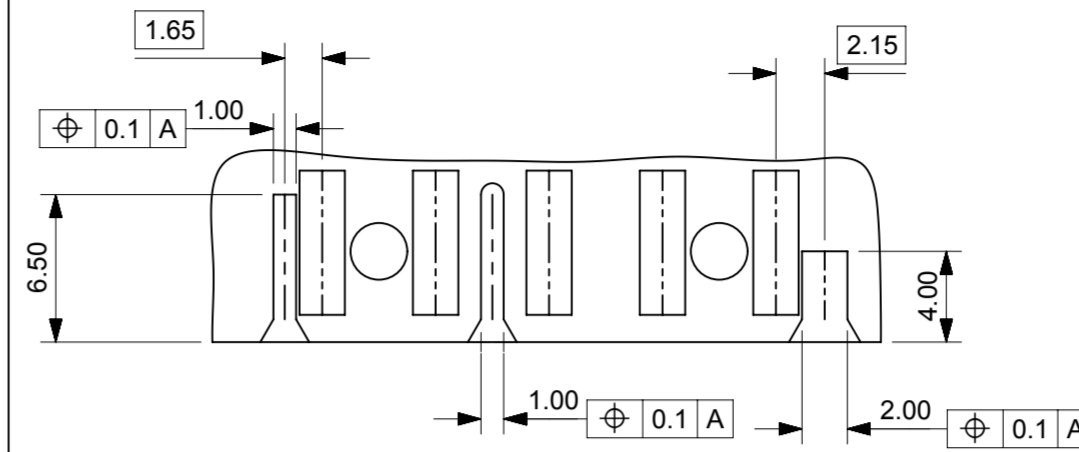
SINGLE ROW CODING KEYS OPTION A  
END WALLS WITH LATCHES AND  
POLARIZING RIBS

OPTION A END WALLS	
FIRST END WALL	LAST END WALL
SHORT THIN	LONG THICK



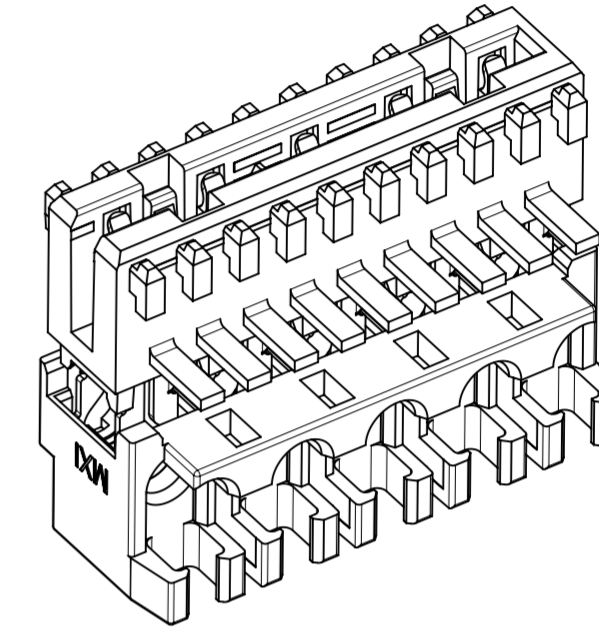
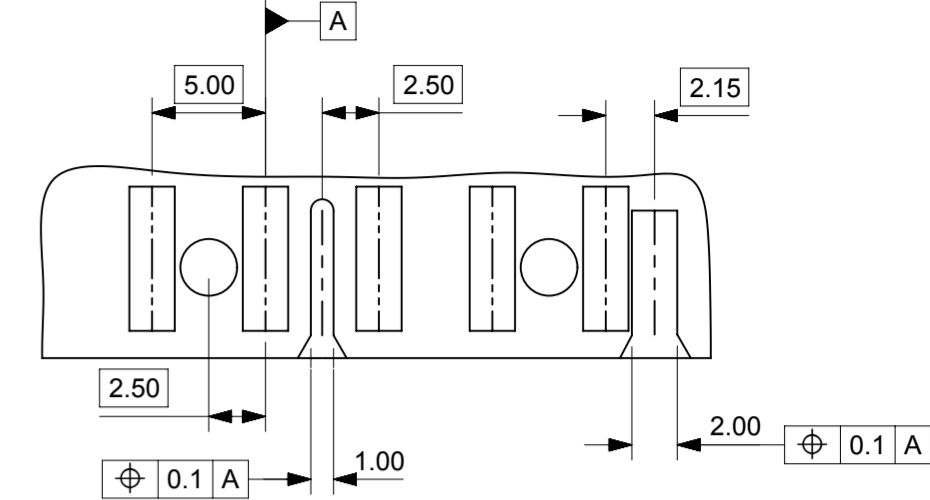
2 ROW CODING KEYS OPTION B  
END WALLS WITH LATCHES AND  
POLARIZING RIBS

OPTION B END WALLS	
FIRST END WALL	LAST END WALL
LONG THIN	SHORT THICK



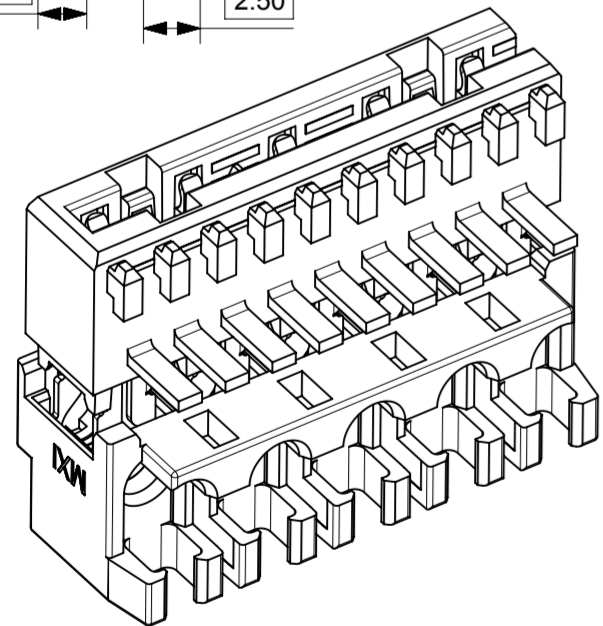
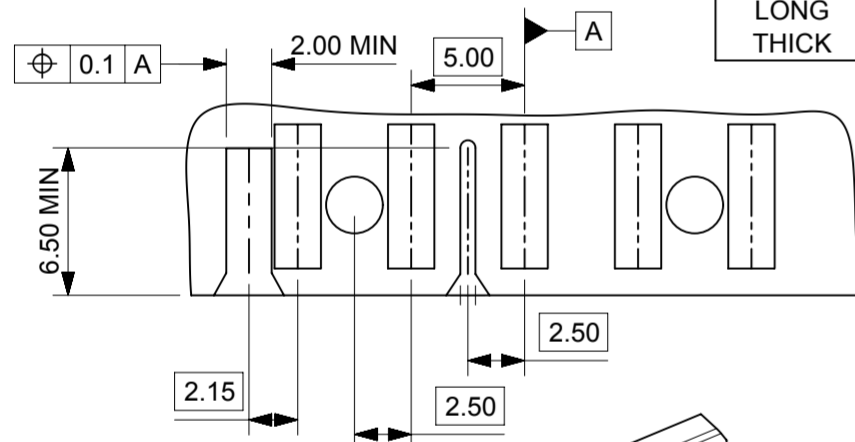
1 ROW CODING KEYS OPTION C  
END WALLS WITH LATCHES AND  
POLARIZING RIBS

OPTION C END WALLS	
FIRST END WALL	LAST END WALL
OPEN	LONG THICK



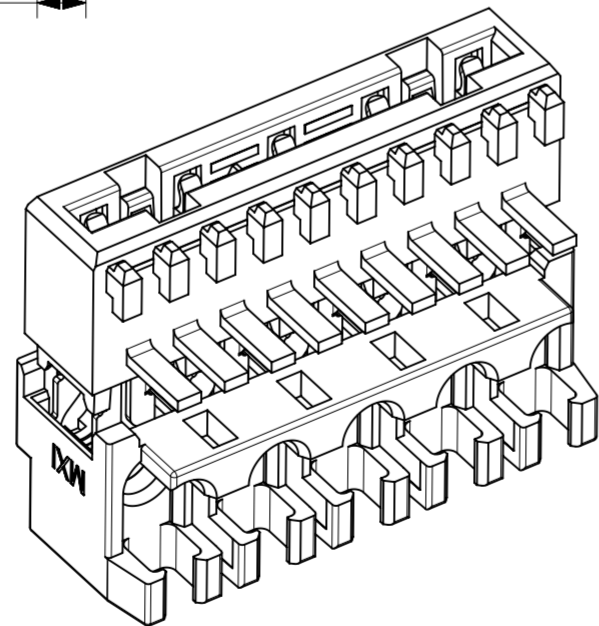
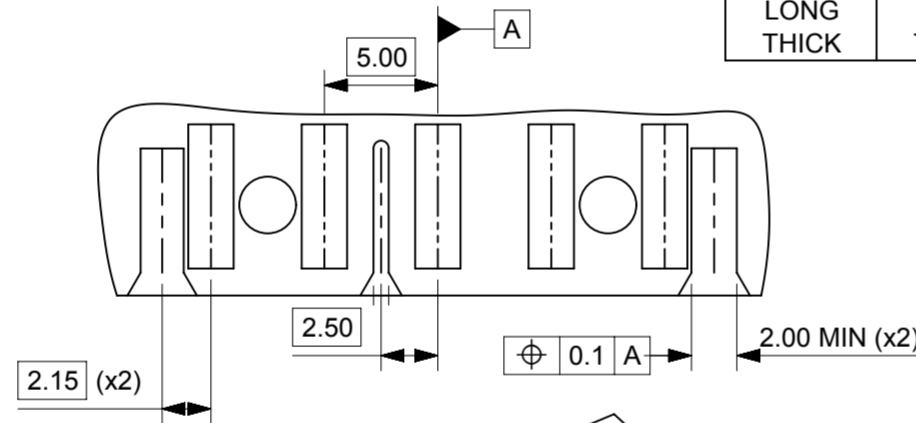
1 ROW CODING KEYS OPTION D  
END WALLS WITH LATCHES AND  
POLARIZING RIBS

OPTION G END WALLS	
FIRST END WALL	LAST END WALL
LONG THICK	OPEN



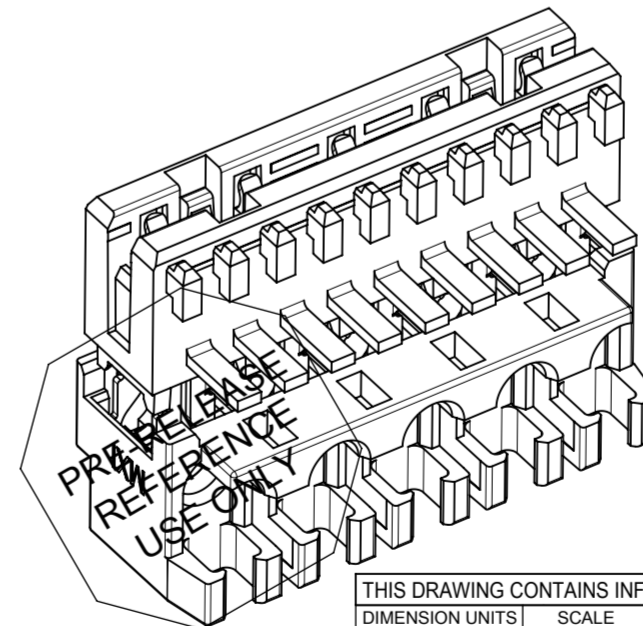
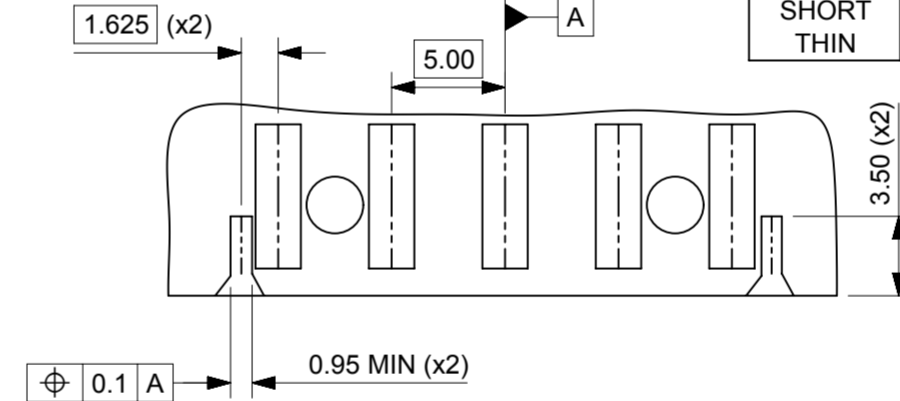
1 ROW CODING KEYS OPTION E  
END WALLS WITH LATCHES AND  
POLARIZING RIBS

OPTION E END WALLS	
FIRST END WALL	LAST END WALL
LONG THICK	LONG THICK



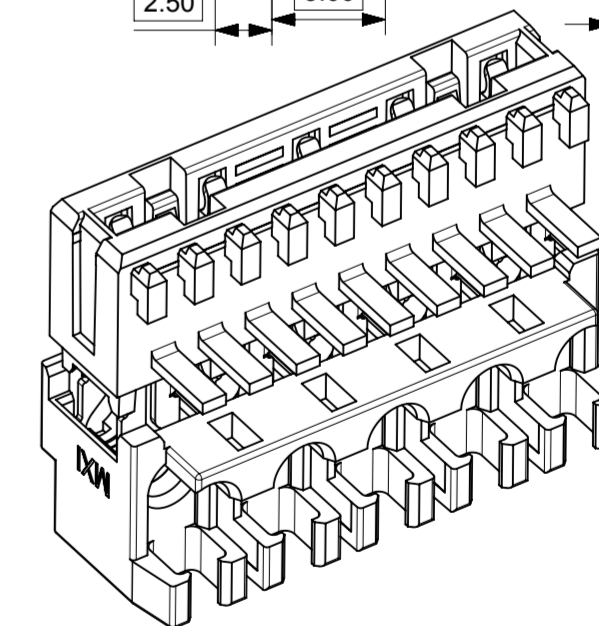
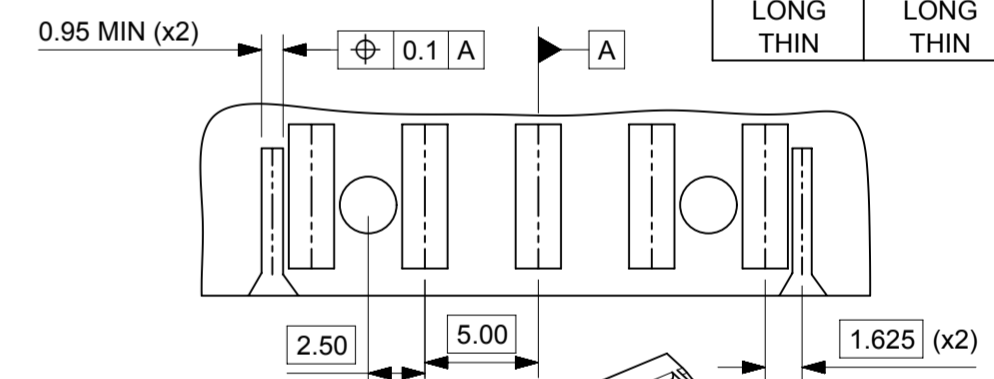
1 ROW CODING KEYS OPTION F  
END WALLS WITH LATCHES

OPTION F END WALLS	
FIRST END WALL	LAST END WALL
SHORT THIN	SHORT THIN



1 ROW CODING KEYS OPTION G  
END WALLS WITH LATCHES

OPTION G END WALLS	
FIRST END WALL	LAST END WALL
LONG THIN	LONG THIN



Other combinations possible:  
There may be one or two latches which can be positioned between 1st and 2nd ckt and/or between 2nd and last ckt.  
The polarizing rib can be between any ckt.  
There may be one end wall only which must be located at the larger ckt end as polarized option A (wider and taller end wall)

THIS DRAWING CONTAINS INFORMATION THAT IS PROPRIETARY TO MOLEX ELECTRONIC TECHNOLOGIES, LLC AND SHOULD NOT BE USED WITHOUT WRITTEN PERMISSION

DIMENSION UNITS	SCALE	CURRENT REV	DESC: UPDATED ENDWAL
mm	10:1	J,K,L	
GENERAL TOLERANCES (UNLESS SPECIFIED)		EC NO: 614393	
ANGULAR TOL ± 2.0°		DRWN: AKABADI	2019/03/22
4 PLACES ±		CHK'D: TCLEARY	2019/03/28
3 PLACES ±		APPR:	
2 PLACES ± 0.1		INITIAL REVISION:	
1 PLACE ± 0.2		DRWN: CFISHER01	2018/01/03
0 PLACES ±		APPR: BRUTTLE	2018/02/07
DRAFT WHERE APPLICABLE MUST REMAIN WITHIN DIMENSIONS	THIRD ANGLE PROJECTION	DRAWING	SERIES
		A2-SIZE	91627
DOCUMENT STATUS	RV	RELEASE DATE	
DOCUMENT NUMBER		DOC TYPE	DOC PART
916270001		PSD	000
MATERIAL NUMBER		CUSTOMER	REVISION
SEE TABLES		GENERAL MARKET	G
SHEET NUMBER		2 OF 11	

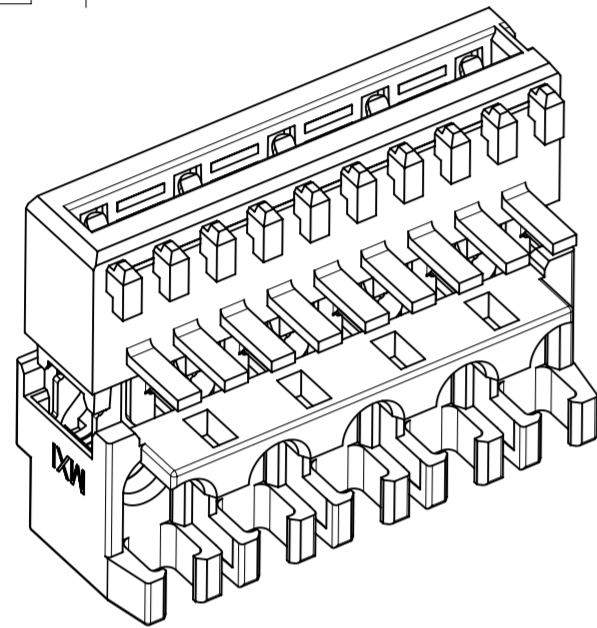
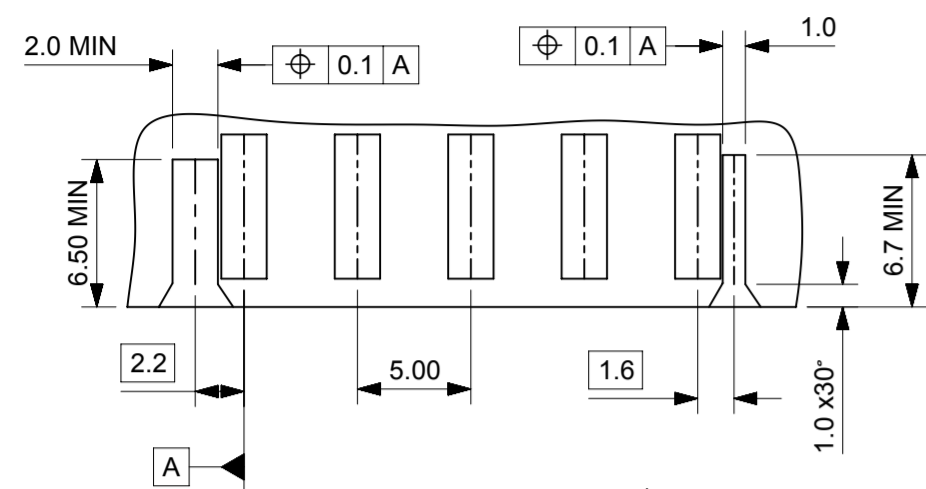
**molex**

RAST PWR IDT CONN 5MM PITCH

PRODUCT CUSTOMER DRAWING

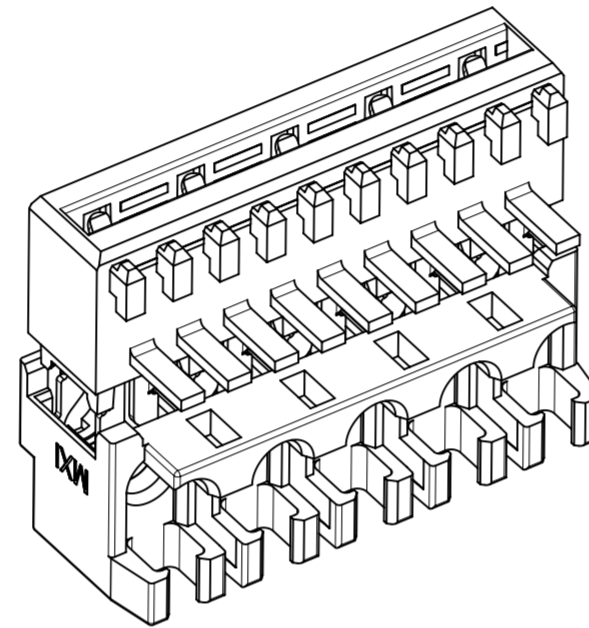
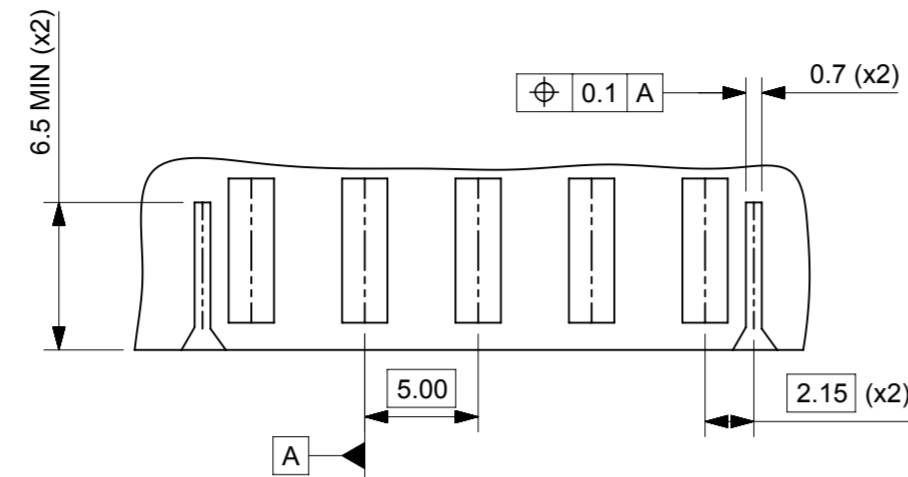
1 ROW CODING KEYS OPTION H  
END WALLS WITHOUT LATCHES

OPTION H END WALLS	
FIRST END WALL	LAST END WALL
LONG & THICK	LONG & THIN



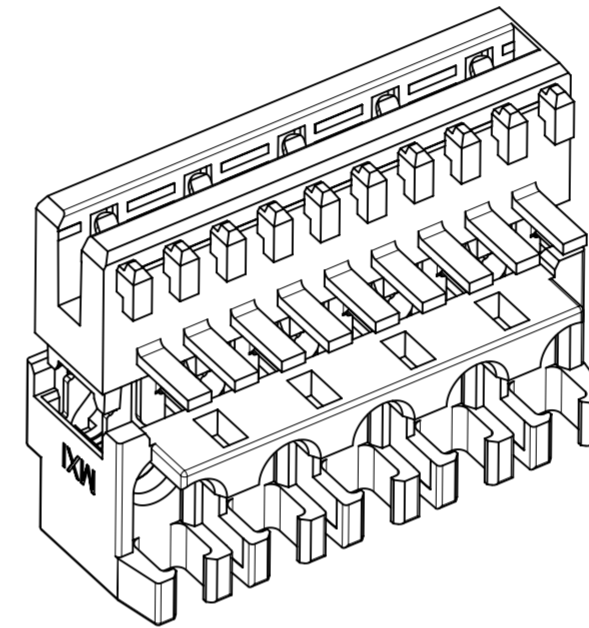
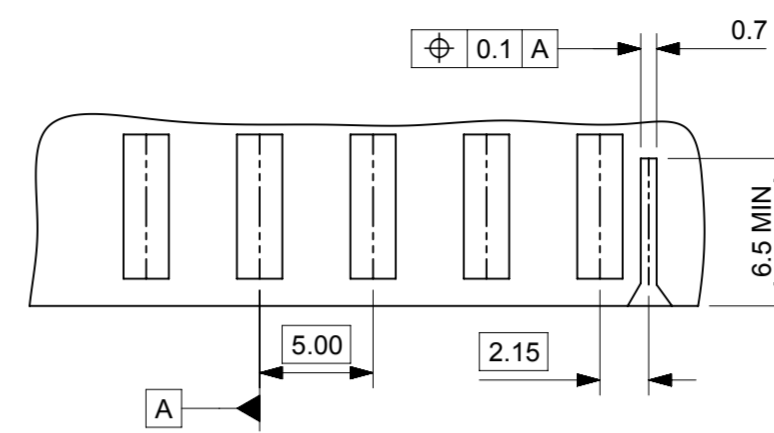
1 ROW CODING KEYS OPTION J  
END WALLS WITHOUT LATCHES

OPTION J END WALLS	
FIRST END WALL	LAST END WALL
LONG & THIN FLUSH OUTSIDE	LONG & THIN FLUSH OUTSIDE



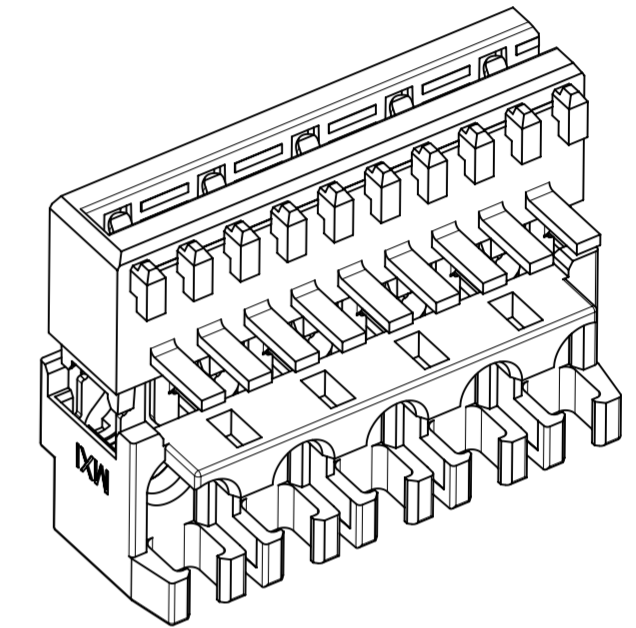
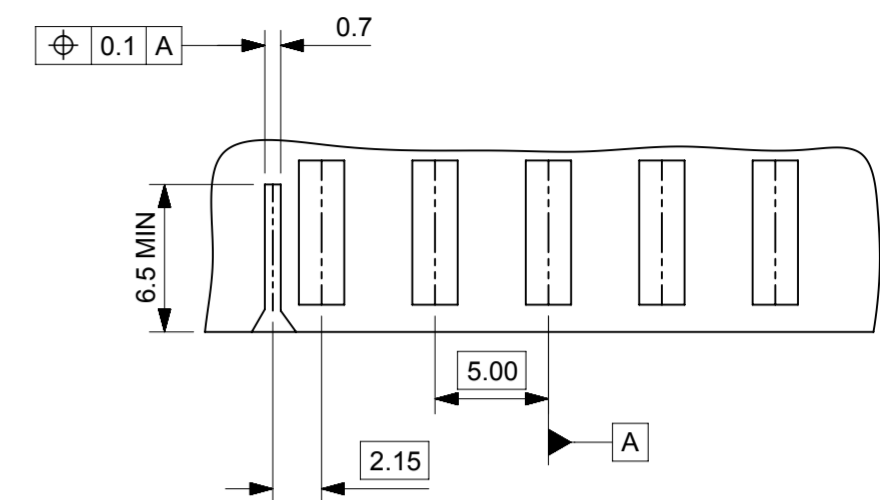
1 ROW CODING KEYS OPTION K  
END WALLS WITHOUT LATCHES

OPTION K END WALLS	
FIRST END WALL	LAST END WALL
1.5mm HIGH	LONG & THIN FLUSH OUTSIDE



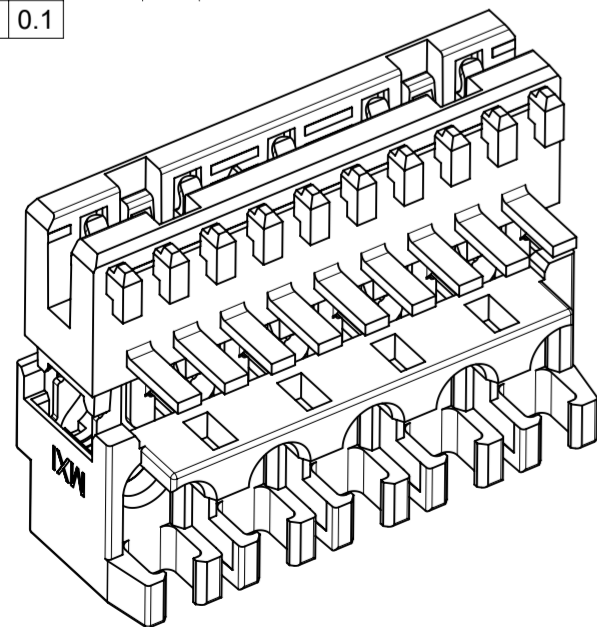
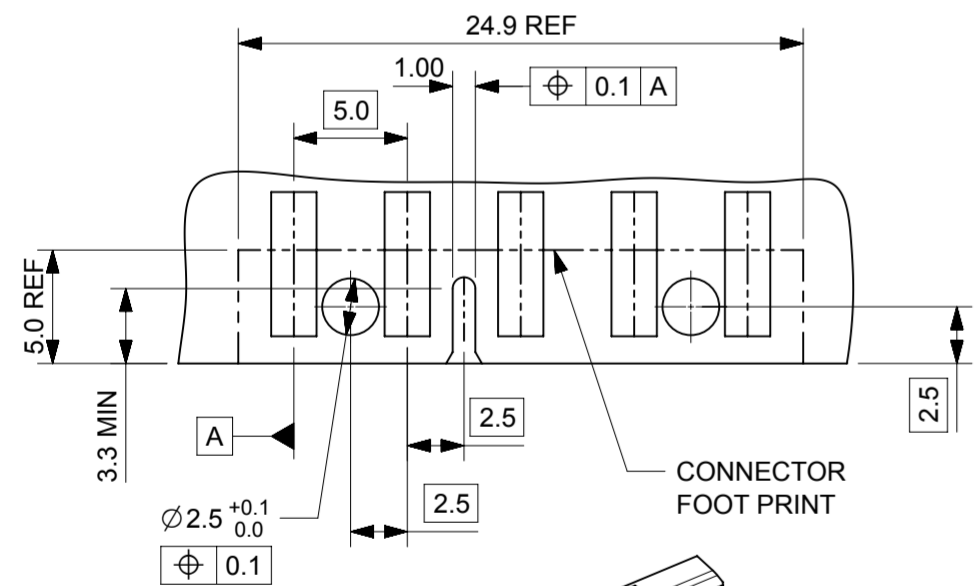
1 ROW CODING KEYS OPTION L  
END WALLS WITHOUT LATCHES

OPTION L END WALLS	
FIRST END WALL	LAST END WALL
LONG & THIN FLUSH OUTSIDE	1.5mm HIGH



1 ROW CODING KEYS OPTION M  
END WALLS WITH LATCHES & RIB 3/4

OPTION M END WALLS	
FIRST END WALL	LAST END WALL
1.5mm HIGH	1.5mm HIGH



Other combinations possible:  
There may be one or two latches which can be positioned between 1st and 2nd ckt and/or between 2nd and last ckt.  
The polarizing rib can be between any ckt.

PRE-RELEASE  
REFERENCE  
USE ONLY

THIS DRAWING CONTAINS INFORMATION THAT IS PROPRIETARY TO MOLEX ELECTRONIC TECHNOLOGIES, LLC AND SHOULD NOT BE USED WITHOUT WRITTEN PERMISSION

DIMENSION UNITS <b>mm</b>	SCALE <b>10:1</b>	CURRENT REV DESC: UPDATED ENDWAL J,K,L	<b>molex</b>		
GENERAL TOLERANCES (UNLESS SPECIFIED)		EC NO: 614393			
ANGULAR TOL ± 2.0°	4 PLACES ±	DRWN: AKABADI 2019/03/22	PRODUCT CUSTOMER DRAWING		
3 PLACES ±	2 PLACES ± 0.1	CHK'D: TCLEARY 2019/03/28	DOCUMENT NUMBER		
1 PLACE ± 0.2	0 PLACES ±	APPR:	916270001		
DRAFT WHERE APPLICABLE MUST REMAIN WITHIN DIMENSIONS	THIRD ANGLE PROJECTION	INITIAL REVISION: DRWN: CFISHER01 2018/01/03 APPR: BRUTTLE 2018/02/07	DOC TYPE	DOC PART	REVISION
	DRAWING <b>A2-SIZE</b>	SERIES <b>91627</b>	MATERIAL NUMBER SEE TABLES	CUSTOMER GENERAL MARKET	SHEET NUMBER 3 OF 11

2 CIRCUIT									
MOLEX PART NO.	MOLEX HOUSING NO.	TERMINAL VOID POSITION	REMOVED CODING KEYS	CONFIGURATION	LATCH BETWEEN	POLARIZING RIB BETWEEN	FIRST ENDWALL	LAST ENDWALL	COLOUR STRIPE
91627-0001	91626-0002	NONE	NONE		NONE	NONE	OPEN	OPEN	NONE
91627-0501	91690-2002	NONE	NONE		CCT 1&2	NONE	OPEN	OPEN	NONE
91627-0502	91690-2022	NONE	NONE		CCT 1&2	NONE	SHORT THIN	LONG THICK	NONE
91627-0002	91626-0002	NONE	NONE		NONE	NONE	OPEN	OPEN	YELLOW
91627-0003	91626-0002	NONE	d		NONE	NONE	OPEN	OPEN	YELLOW
91627-0004	91626-0002	NONE	NONE		NONE	NONE	OPEN	OPEN	RED
91627-0005	91626-0002	NONE	b		NONE	NONE	OPEN	OPEN	RED
91627-0006	91626-0002	NONE	d		NONE	NONE	OPEN	OPEN	NONE
91627-0008	91626-0002	NONE	c		NONE	NONE	OPEN	OPEN	NONE
91627-0009	91626-0002	NONE	a b		NONE	NONE	OPEN	OPEN	NONE
91627-0010	91626-0002	NONE	a c		NONE	NONE	OPEN	OPEN	NONE
91627-0503	91690-2042	NONE	NONE		CCT 1&2	NONE	LONG THIN	SHORT THICK	NONE
91627-0011	91626-0002	NONE	b d		NONE	NONE	OPEN	OPEN	NONE
91627-0012	91626-0002	NONE	a b c		NONE	NONE	OPEN	OPEN	NONE
91627-0013	91626-0002	NONE	a c d		NONE	NONE	OPEN	OPEN	NONE
91627-0014	91626-0002	NONE	b c d		NONE	NONE	OPEN	OPEN	NONE
91627-0015	91626-0002	NONE	b		NONE	NONE	OPEN	OPEN	NONE
91627-0504	91690-2022	NONE	a b		CCT 1&2	NONE	SHORT THIN	LONG THICK	NONE
91627-0505	91690-2022	NONE	a c		CCT 1&2	NONE	SHORT THIN	LONG THICK	NONE
91627-0506	91690-2022	NONE	c d		CCT 1&2	NONE	SHORT THIN	LONG THICK	NONE
91627-0016	91626-0002	NONE	b c		NONE	NONE	OPEN	OPEN	NONE
91627-0508	91690-2022	NONE	b d		CCT 1&2	NONE	SHORT THIN	LONG THICK	NONE
91627-0017	91626-0082	NONE	b c		NONE	NONE	LONG THICK	OPEN	NONE
91627-0018	91626-0082	NONE	NONE		NONE	NONE	LONG THICK	OPEN	NONE
91627-0019	91626-0062	NONE	NONE		NONE	NONE	OPEN	LONG THICK	NONE
91627-0020	91626-0002	NONE	b c		NONE	NONE	OPEN	OPEN	BLACK
91627-0021	91626-0002	NONE	c d		NONE	NONE	OPEN	OPEN	BLUE
91627-0022	91626-0062	NONE	a b		NONE	NONE	OPEN	LONG THICK	RED
91627-0023	91626-0002	NONE	c d		NONE	NONE	OPEN	OPEN	NONE
91627-0024	91626-0002	NONE	a		NONE	NONE	OPEN	OPEN	NONE

2 CIRCUIT									
MOLEX PART NO.	MOLEX HOUSING NO.	TERMINAL VOID POSITION	REMOVED CODING KEYS	CONFIGURATION	LATCH BETWEEN	POLARIZING RIB BETWEEN	FIRST ENDWALL	LAST ENDWALL	COLOUR STRIPE
91627-0025	91626-0082	NONE	a c		NONE	NONE	LONG THICK	OPEN	YELLOW
91627-0027	91626-0082	NONE	d		NONE	NONE	LONG THICK	OPEN	NONE
91627-0028	91690-2062	NONE	NONE		CCT 1&2	NONE	OPEN	LONG THICK	NONE
91627-0029	91626-0002	NONE	a d		NONE	NONE	OPEN	OPEN	NONE
91627-0030	91626-0102	NONE	NONE		NONE	CCT 1&2	OPEN	OPEN	NONE
91627-0509	91690-2082	NONE	NONE		CCT 1&2	NONE	LONG THICK	OPEN	BLUE
91627-0031	91626-0002	NONE	NONE		NONE	NONE	OPEN	OPEN	BLUE
91627-0032	91626-0062	NONE	b c d		NONE	NONE	OPEN	LONG THICK	NONE
91627-0033	91626-0082	NONE	a b c		NONE	NONE	LONG THICK	OPEN	NONE
91627-0035	91626-0002	NONE	a b c d		NONE	NONE	OPEN	OPEN	NONE
91627-0036	91690-2013	NONE	a b c d		CCT 1&2	NONE	LONG THICK	LONG THICK	NONE
91627-0037	91626-0102	NONE	a d		NONE	CCT 1&2	OPEN	OPEN	NONE
91627-0038	91690-2042	NONE	a b c d		CCT 1&2	NONE	LONG THIN	SHORT THICK	NONE
91627-0039	91626-0002	NONE	a b		NONE	NONE	OPEN	OPEN	RED
91627-0040	91626-0022	NONE	a b c d		NONE	NONE	SHORT THIN	LONG THICK	NONE
91627-0041	91690-2033	NONE	NONE		CCT 1&2	NONE	SHORT THIN	SHORT THIN	NONE
91627-0042	91690-2062	NONE	NONE		CCT 1&2	NONE	OPEN	LONG THICK	RED
91627-0043	91690-2013	NONE	NONE		CCT 1&2	NONE	LONG THICK	LONG THICK	BLACK
91627-0044	91690-2033	NONE	NONE		CCT 1&2	NONE	SHORT THIN	SHORT THIN	YELLOW
91627-0045	91690-2013	NONE	NONE		CCT 1&2	NONE	LONG THICK	LONG THICK	NONE
91627-0046	91626-2002	NONE	b d a2 b2 c2		NONE	NONE	OPEN	OPEN	NONE
91627-0047	91626-2002	NONE	a d b2 c2 d2		NONE	NONE	OPEN	OPEN	NONE
91627-0048	91626-2002	NONE	b d b2 c2 d2		NONE	NONE	OPEN	OPEN	NONE

PRE-RELEASE  
REFERENCE  
USE ONLY

THIS DRAWING CONTAINS INFORMATION THAT IS PROPRIETARY TO MOLEX ELECTRONIC TECHNOLOGIES, LLC AND SHOULD NOT BE USED WITHOUT WRITTEN PERMISSION

DIMENSION UNITS <b>mm</b>	SCALE <b>1:1</b>	CURRENT REV DESC: UPDATED ENDWAL J,K,L	<b>molex</b>		
GENERAL TOLERANCES (UNLESS SPECIFIED)		EC NO: 614393			
ANGULAR TOL ± 2.0°	4 PLACES ±	DRWN: AKABADI 2019/03/22	PRODUCT CUSTOMER DRAWING		
3 PLACES ±	2 PLACES ± 0.1	CHK'D: TCLEARY 2019/03/28	DOCUMENT NUMBER		
1 PLACE ± 0.2	0 PLACES ±	APPR:	916270001		
DRAFT WHERE APPLICABLE MUST REMAIN WITHIN DIMENSIONS	THIRD ANGLE PROJECTION	INITIAL REVISION: DRWN: CFISHER01 2018/01/03 APPR: BRUTTLE 2018/02/07	DOC TYPE	DOC PART	REVISION
	DRAWING <b>A2-SIZE</b>	SERIES <b>91627</b>	MATERIAL NUMBER SEE TABLES	CUSTOMER GENERAL MARKET	SHEET NUMBER 4 OF 11

## 2 CIRCUIT

MOLEX PART NO.	MOLEX HOUSING NO.	TERMINAL VOID POSITION	REMOVED CODING KEYS	CONFIGURATION	LATCH BETWEEN	POLARIZING RIB BETWEEN	FIRST ENDWALL	LAST ENDWALL	COLOUR STRIPE
91627-0049	91626-2002	NONE	a b c b2 c2		NONE	NONE	OPEN	OPEN	NONE
91627-0050	91626-2002	NONE	NONE		NONE	NONE	OPEN	OPEN	NONE
91627-0053	91636-0022	NONE	NONE		NONE	NONE	LONG THIN flush outside	LONG THIN flush outside	NONE
91627-0054	91636-0062	NONE	NONE		NONE	NONE	LONG THIN flush outside	1.5mm high	NONE
91627-0055	91690-2082	NONE	NONE		CCT 1&2	NONE	LONG THICK	OPEN	NONE

## 3 CIRCUIT

MOLEX PART NO.	MOLEX HOUSING NO.	TERMINAL VOID POSITION	REMOVED CODING KEYS	CONFIGURATION	LATCH BETWEEN	POLARIZING RIB BETWEEN	FIRST ENDWALL	LAST ENDWALL	COLOUR STRIPE
91627-1001	91626-0003	NONE	NONE		NONE	NONE	OPEN	OPEN	NONE
91627-1501	91690-2003	NONE	NONE		CCT 1&2	NONE	OPEN	OPEN	NONE
91627-1002	91626-0103	NONE	a b c		NONE	CCT 1&2	OPEN	OPEN	RED
91627-1004	91626-0103	NONE	NONE		NONE	CCT 1&2	OPEN	OPEN	RED
91627-1005	91626-2003	NONE	a b c d e b2 c2 d2 e2		NONE	NONE	OPEN	OPEN	NONE
91627-1006	91626-0003	NONE	b c e		NONE	NONE	OPEN	OPEN	NONE
91627-1007	91626-0003	NONE	d e f		NONE	NONE	OPEN	OPEN	NONE
91627-1502	91690-0023	NONE	NONE		CCT 1&2 CCT 2&3	NONE	SHORT THIN	LONG THICK	NONE
91627-1503	91690-2023	NONE	c d		CCT 1&2	NONE	SHORT THIN	LONG THICK	NONE
91627-1504	91690-2203	NONE	a b c		CCT 1&2	CCT 2&3	OPEN	OPEN	RED
91627-1506	91690-4123	NONE	NONE		CCT 2&3	CCT 1&2	SHORT THIN	LONG THICK	NONE
91627-1507	91690-2223	NONE	NONE		CCT 1&2	CCT 2&3	SHORT THIN	LONG THICK	NONE
91627-1508	91690-4103	NONE	NONE		CCT 2&3	CCT 1&2	OPEN	OPEN	NONE
91627-1008	91626-0003	NONE	c d f		NONE	NONE	OPEN	OPEN	NONE
91627-1009	91626-0003	NONE	a d e		NONE	NONE	OPEN	OPEN	NONE
91627-1010	91626-0003	NONE	b c d		NONE	NONE	OPEN	OPEN	NONE
91627-1011	91626-0003	NONE	a d e f		NONE	NONE	OPEN	OPEN	NONE
91627-1012	91626-0003	NONE	a b d		NONE	NONE	OPEN	OPEN	NONE
91627-1013	91626-0103	CCT 2	d e f		NONE	CCT 1&2	OPEN	OPEN	NONE
91627-1014	91626-0003	NONE	b c d e		NONE	NONE	OPEN	OPEN	NONE
91627-1015	91626-0003	NONE	a c e		NONE	NONE	OPEN	OPEN	NONE
91627-1016	91626-0003	NONE	NONE		NONE	NONE	OPEN	OPEN	BLUE 2
91627-1017	91626-0103	NONE	d e f		NONE	CCT 1&2	OPEN	OPEN	NONE
91627-1018	91626-0003	NONE	c e		NONE	NONE	OPEN	LONG THICK	NONE
91627-1019	91626-0003	NONE	b c e		NONE	NONE	OPEN	LONG THICK	NONE

PRE-RELEASE  
 REFERENCE  
 USE ONLY

THIS DRAWING CONTAINS INFORMATION THAT IS PROPRIETARY TO MOLEX ELECTRONIC TECHNOLOGIES, LLC AND SHOULD NOT BE USED WITHOUT WRITTEN PERMISSION

DIMENSION UNITS <b>mm</b>	SCALE <b>1:1</b>	CURRENT REV DESC: UPDATED ENDWAL J,K,L	<h1>molex</h1>			
GENERAL TOLERANCES (UNLESS SPECIFIED)		EC NO: 614393				RAST PWR IDT CONN 5MM PITCH
ANGULAR TOL	± 2.0°	DRWN: AKABADI	2019/03/22			
4 PLACES	±	CHK'D: TCLEARY	2019/03/28			
3 PLACES	±	APPR:	PRODUCT CUSTOMER DRAWING			
2 PLACES	± 0.1	INITIAL REVISION:	DOCUMENT NUMBER <b>916270001</b>			
1 PLACE	± 0.2	DRWN: CFISHER01			2018/01/03	
0 PLACES	±	APPR: BRUTTLE	2018/02/07	DOC TYPE PSD	DOC PART 000	REVISION G
DRAFT WHERE APPLICABLE MUST REMAIN WITHIN DIMENSIONS	THIRD ANGLE PROJECTION	DRAWING <b>A2-SIZE</b>	SERIES <b>91627</b>	MATERIAL NUMBER SEE TABLES	CUSTOMER GENERAL MARKET	SHEET NUMBER 5 OF 11

DOCUMENT STATUS	RV	RELEASE DATE
-----------------	----	--------------

### 3 CIRCUIT

MOLEX PART NO.	MOLEX HOUSING NO.	TERMINAL VOID POSITION	REMOVED CODING KEYS	CONFIGURATION	LATCH BETWEEN	POLARIZING RIB BETWEEN	FIRST ENDWALL	LAST ENDWALL	COLOUR STRIPE
91627-1022	91626-0063	NONE	NONE		NONE	NONE	OPEN	LONG THICK	NONE
91627-1024	91626-0003	NONE	b c d e		NONE	NONE	OPEN	OPEN	BLACK
91627-1025	91626-0203	CCT 2	a		NONE	CCT 2&3	OPEN	OPEN	NONE
91627-1026	91626-0003	NONE	b c d f		NONE	NONE	OPEN	OPEN	NONE
91627-1027	91626-0003	CCT 2	a		NONE	NONE	OPEN	OPEN	NONE
91627-1028	91626-0003	CCT 2	d		NONE	NONE	OPEN	OPEN	NONE
91627-1029	91626-0003	CCT 2	NONE		NONE	NONE	OPEN	OPEN	NONE
91627-1031	91626-0083	NONE	NONE		NONE	NONE	LONG THICK	OPEN	NONE
91627-1509	91690-4183	NONE	f		CCT 2&3	CCT 1&2	LONG THICK	OPEN	BLACK
91627-1032	91626-0003	NONE	c		NONE	NONE	OPEN	OPEN	NONE
91627-1033	91626-0003	NONE	e f		NONE	NONE	OPEN	OPEN	NONE
91627-1034	91626-0003	NONE	a b		NONE	NONE	OPEN	OPEN	NONE
91627-1035	91692-4103	NONE	NONE		CCT 2&3	CCT 1&2	LONG THICK	LONG THIN	NONE
91627-1510	91690-0023	NONE	a b c d e f		CCT 1&2 CCT 2&3	NONE	SHORT THIN	LONG THICK	NONE
91627-1511	91960-2283	NONE	NONE		CCT 1&2	CCT 2&3	LONG THICK	OPEN	NONE
91627-1512	91960-0014	NONE	a b c d e f		CCT 1&2 CCT 2&3	NONE	LONG THICK	LONG THICK	NONE
91627-1514	91626-0203	NONE	a b c d e f		NONE	CCT 2&3	OPEN	OPEN	NONE
91627-1036	91626-0003	NONE	d		NONE	NONE	OPEN	OPEN	NONE
91627-1037	91626-0003	NONE	a d		NONE	NONE	OPEN	OPEN	NONE
91627-1513	91690-0003	NONE	a b c d e f		CCT 1&2 CCT 2&3	NONE	OPEN	OPEN	NONE
91627-1515	91690-4003	NONE	NONE		CCT 2&3	NONE	OPEN	OPEN	NONE
91627-1039	91626-0203	NONE	c		NONE	CCT 2&3	OPEN	OPEN	NONE
91627-1040	91626-0003	NONE	a b c d e f		NONE	NONE	OPEN	OPEN	NONE
91627-1041	91626-0003	NONE	a b c f		NONE	NONE	OPEN	OPEN	NONE
91627-1042	91626-0003	NONE	c d e f		NONE	NONE	OPEN	OPEN	NONE
91627-1043	91626-0003	NONE	NONE		NONE	NONE	OPEN	OPEN	BLACK
91627-1044	91626-0183	NONE	NONE		NONE	CCT 1&2	LONG THICK	OPEN	NONE
91627-1045	91690-4183	NONE	NONE		CCT 2&3	CCT 1&2	LONG THICK	OPEN	NONE
91627-1046	91626-2003	NONE	b c d e f b2 c2 d2 e2		NONE	NONE	OPEN	OPEN	NONE
91627-1047	91690-4163	NONE	NONE		CCT 2&3	CCT 1&2	OPEN	LONG THICK	NONE

### 3 CIRCUIT

MOLEX PART NO.	MOLEX HOUSING NO.	TERMINAL VOID POSITION	REMOVED CODING KEYS	CONFIGURATION	LATCH BETWEEN	POLARIZING RIB BETWEEN	FIRST ENDWALL	LAST ENDWALL	COLOUR STRIPE
91627-1048	91690-4083	NONE	NONE		CCT 2&3	NONE	LONG THICK	OPEN	NONE
91627-1049	91690-2223	NONE	a b c d e f		CCT 1&2	CCT 2&3	SHORT THIN	LONG THICK	NONE
91627-1050	91626-0014	CCT 2	NONE		NONE	NONE	LONG THICK	LONG THICK	NONE
91627-1051	91636-0063	NONE	NONE		NONE	NONE	LONG THIN Flush on outside	1.5mm High	NONE
91627-1052	91636-0043	NONE	NONE		NONE	NONE	1.5mm High	LONG THIN Flush on outside	NONE
91627-1053	91636-0083	NONE	NONE		NONE	NONE	1.5mm High	1.5mm High	NONE
91627-1054	91636-0083	NONE	b c d e		NONE	NONE	1.5mm High	1.5mm High	NONE
91627-1055	91690-4114	NONE	NONE		CCT 2&3	CCT 1&2	LONG THICK	LONG THICK	NONE
91627-1056	91626-0003	NONE	b e		NONE	NONE	OPEN	OPEN	NONE
91627-1057	91690-2214	NONE	NONE		CCT 1&2	CCT 2&3	LONG THICK	LONG THICK	NONE
91627-1516	91690-2083	NONE	NONE		CCT 1&2	NONE	LONG THICK	OPEN	NONE
91627-1058	91626-0003	NONE	a c d f		NONE	NONE	OPEN	OPEN	NONE
91627-1059	91626-0183	NONE	a f		NONE	CCT 1&2	LONG THICK	OPEN	NONE
91627-1060	91690-2203	NONE	NONE		CCT 1&2	CCT 2&3	OPEN	OPEN	NONE
91627-1062	91626-0003	NONE	a b e f		NONE	NONE	OPEN	OPEN	NONE
91627-1063	91626-0203	3	NONE		NONE	CCT 2&3	OPEN	OPEN	NONE

PRE-RELEASE  
REFERENCE  
USE ONLY

THIS DRAWING CONTAINS INFORMATION THAT IS PROPRIETARY TO MOLEX ELECTRONIC TECHNOLOGIES, LLC AND SHOULD NOT BE USED WITHOUT WRITTEN PERMISSION											
DIMENSION UNITS <b>mm</b>		SCALE <b>1:1</b>		CURRENT REV DESC: UPDATED ENDWAL J,K,L							
GENERAL TOLERANCES (UNLESS SPECIFIED)				 RAST PWR IDT CONN 5MM PITCH							
ANGULAR TOL ± 2.0°											
4 PLACES ±											
3 PLACES ±											
2 PLACES ± 0.1				EC NO: 614393							
1 PLACE ± 0.2				DRWN: AKABADI 2019/03/22							
0 PLACES ±				CHK'D: TCLEARY 2019/03/28							
DRAFT WHERE APPLICABLE MUST REMAIN WITHIN DIMENSIONS				THIRD ANGLE PROJECTION		DRAWING		SERIES		MATERIAL NUMBER	
						<b>A2-SIZE</b>		<b>91627</b>		SEE TABLES	
								CUSTOMER		SHEET NUMBER	
								GENERAL MARKET		6 OF 11	

4 CIRCUIT									
MOLEX PART NO.	MOLEX HOUSING NO.	TERMINAL VOID POSITION	REMOVED CODING KEYS	CONFIGURATION	LATCH BETWEEN	POLARIZING RIB BETWEEN	FIRST ENDWALL	LAST ENDWALL	COLOUR STRIPE
91627-2001	91626-0004	NONE	NONE		NONE	NONE	OPEN	OPEN	NONE
91627-2501	91690-2004	NONE	NONE		1&2	NONE	OPEN	OPEN	NONE
91627-2002	91626-0204	NONE	d e f g h		NONE	2&3	OPEN	OPEN	RED
91627-2003	91626-0204	NONE	NONE		NONE	2&3	OPEN	OPEN	RED
91627-2004	91626-0204	NONE	b d e f g h		NONE	2&3	OPEN	OPEN	RED
91627-2005	91626-0004	NONE	d e f g		NONE	NONE	OPEN	OPEN	NONE
91627-2006	91626-0004	NONE	b c d f		NONE	NONE	OPEN	OPEN	NONE
91627-2007	91626-0004	NONE	a b e f h		NONE	NONE	OPEN	OPEN	NONE
91627-2008	91626-0004	NONE	a b c d e f g h		NONE	NONE	OPEN	OPEN	NONE
91627-2009	91626-0004	NONE	a b f g		NONE	NONE	OPEN	OPEN	NONE
91627-2503	91690-0224	NONE	NONE		1&2 3&4	2&3	SHORT THIN	LONG THICK	NONE
91627-2010	91626-0004	NONE	c d e h		NONE	NONE	OPEN	OPEN	NONE
91627-2012	91626-0015	NONE	ALL		NONE	NONE	LONG THICK	LONG THICK	NONE
91627-2011	91626-0004	NONE	d e f g h		NONE	NONE	OPEN	OPEN	NONE
91627-2013	91690-0284	NONE	NONE		1&2 3&4	2&3	LONG THICK	OPEN	NONE
91627-2502	91690-0084	NONE	NONE		1&2 3&4	NONE	LONG THICK	OPEN	NONE
91627-2014	91626-0004	NONE	b c d e f g		NONE	NONE	OPEN	OPEN	NONE
91627-2015	91690-4104	NONE	NONE		3&4	1&2	OPEN	OPEN	NONE
91627-2016	91626-0004	CCT 2	NONE		NONE	NONE	OPEN	OPEN	NONE
91627-2017	91626-0004	NONE	b c e f g		NONE	NONE	OPEN	OPEN	NONE
91627-2504	91690-0204	NONE	NONE		1&2 3&4	2&3	OPEN	OPEN	NONE
91627-2506	91690-0224	NONE	a b c d e f g h		1&2 3&4	2&3	SHORT THIN	LONG THICK	NONE
91627-2507	91690-0064	NONE	NONE		1&2 3&4	NONE	OPEN	LONG THICK	NONE
91627-2508	91690-0004	NONE	NONE		1&2 3&4	NONE	OPEN	OPEN	NONE
91627-2020	91626-0004	NONE	a b c d f g h		NONE	NONE	OPEN	OPEN	NONE
91627-2021	91626-0004	NONE	a b d e g h		NONE	NONE	OPEN	OPEN	NONE
91627-2022	91626-0215	NONE	a b c d e f g h		NONE	2&3	LONG THICK	LONG THICK	NONE

4 CIRCUIT									
MOLEX PART NO.	MOLEX HOUSING NO.	TERMINAL VOID POSITION	REMOVED CODING KEYS	CONFIGURATION	LATCH BETWEEN	POLARIZING RIB BETWEEN	FIRST ENDWALL	LAST ENDWALL	COLOUR STRIPE
91627-2023	91626-0315	NONE	NONE		NONE	3&4	LONG THICK	LONG THICK	NONE
91627-2024	91626-0215	NONE	NONE		NONE	2&3	LONG THICK	LONG THICK	NONE
91627-2025	91690-2304	CCT 2	NONE		1&2	3&4	OPEN	OPEN	NONE
91627-2026	91690-0264	NONE	NONE		1&2 3&4	2&3	OPEN	LONG THICK	NONE
91627-2509	91690-9901	NONE	NONE		1&2 2&3	3&4	OPEN	OPEN	NONE
91627-2510	91690-0384	NONE	NONE		1&2 2&3	3&4	LONG THICK	OPEN	NONE
91627-2511	91690-2304	NONE	NONE		1&2	3&4	OPEN	OPEN	NONE
91627-2512	91626-0004	NONE	b g		NONE	NONE	OPEN	OPEN	NONE
91627-2027	91626-0004	NONE	b d e		NONE	NONE	OPEN	OPEN	NONE
91627-2028	91626-0004	NONE	c e		NONE	NONE	OPEN	OPEN	NONE
91627-2529	91690-0044	NONE	NONE		1&2 3&4	NONE	SHORT THIN	LONG THICK	NONE
91627-2514	91626-0004	NONE	a b c f g h		NONE	NONE	OPEN	OPEN	NONE
91627-2019	91692-7124	NONE	NONE		2&3	1&2 3&4	LONG THIN FLUSH OUTSIDE	LONG THIN FLUSH OUTSIDE	NONE
91627-2515	91626-0004	NONE	a c d e f h		NONE	NONE	OPEN	OPEN	NONE
91627-2516	91692-7125	NONE	NONE		2&3	3&4	LONG THIN FLUSH OUTSIDE	LONG THIN FLUSH OUTSIDE	NONE
91627-2517	91692-7126	NONE	NONE		2&3	1&2	LONG THIN FLUSH OUTSIDE	LONG THIN FLUSH OUTSIDE	NONE

PRE-RELEASE  
REFERENCE  
USE ONLY

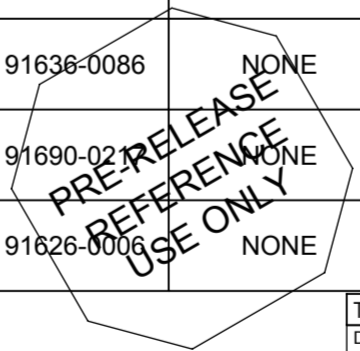
THIS DRAWING CONTAINS INFORMATION THAT IS PROPRIETARY TO MOLEX ELECTRONIC TECHNOLOGIES, LLC AND SHOULD NOT BE USED WITHOUT WRITTEN PERMISSION											
DIMENSION UNITS <b>mm</b>		SCALE <b>1:1</b>		CURRENT REV DESC: UPDATED ENDWAL J,K,L						RAST PWR IDT CONN 5MM PITCH	
GENERAL TOLERANCES (UNLESS SPECIFIED)		ANGULAR TOL ± 2.0°		EC NO: 614393 DRWN: AKABADI 2019/03/22 CHK'D: TCLEARY 2019/03/28 APPR:							
4 PLACES ±		3 PLACES ±		INITIAL REVISION: DRWN: CFISHER01 2018/01/03 APPR: BRUTTLE 2018/02/07				PRODUCT CUSTOMER DRAWING		DOCUMENT NUMBER <b>916270001</b>	
2 PLACES ± 0.1		1 PLACE ± 0.2		DRAFT WHERE APPLICABLE MUST REMAIN WITHIN DIMENSIONS		THIRD ANGLE PROJECTION		DRAWING <b>A2-SIZE</b>		SERIES <b>91627</b>	
0 PLACES ±								MATERIAL NUMBER SEE TABLES		CUSTOMER GENERAL MARKET	
								SHEET NUMBER 7 OF 11			

# 5 CIRCUIT

MOLEX PART NO.	MOLEX HOUSING NO.	TERMINAL VOID POSITION	REMOVED CODING KEYS	CONFIGURATION	LATCH BETWEEN	POLARIZING RIB BETWEEN	FIRST ENDWALL	LAST ENDWALL	COLOUR STRIPE
91627-3001	91626-0005	NONE	NONE		NONE	NONE	OPEN	OPEN	NONE
91627-3501	91690-2005	NONE	NONE		1&2	NONE	OPEN	OPEN	NONE
91627-3002	91626-0005	NONE	c d f g i		NONE	NONE	OPEN	OPEN	NONE
91627-3003	91626-0005	NONE	a b c d e f g h i		NONE	NONE	OPEN	OPEN	NONE
91627-3004	91626-0005	NONE	a b c d e f g h i j		NONE	NONE	OPEN	OPEN	NONE
91627-3502	91690-0325	NONE	NONE		1&2 4&5	3&4	SHORT THIN	LONG THICK	NONE
91627-3503	91690-2425	NONE	NONE		1&2	4&5	SHORT THIN	LONG THICK	NONE
91627-3504	91690-0205	NONE	NONE		1&2 4&5	2&3	OPEN	OPEN	NONE
91627-3005	91626-0105	NONE	NONE		NONE	1&2	OPEN	OPEN	NONE
91627-3007	91626-0016	NONE	a b c d e f g h i j		NONE	NONE	LONG THICK	LONG THICK	NONE
91627-3008	91626-0085	NONE	NONE		NONE	NONE	LONG THICK	OPEN	NONE
91627-3006	91626-0005	NONE	b c d g h j		NONE	NONE	OPEN	OPEN	NONE
91627-3505	91690-0225	NONE	a b c d e f g h i j		1&2 4&5	2&3	SHORT THIN	LONG THICK	NONE
91627-3009	91626-0005	CCT 2 & 4	NONE		NONE	NONE	OPEN	OPEN	NONE
91627-3507	91690-0065	NONE	NONE		1&2 4&5	NONE	OPEN	LONG THICK	NONE
91627-3011	91626-0205	NONE	NONE		NONE	2&3	OPEN	OPEN	NONE
91627-3010	91690-4125	NONE	NONE		4&5	1&2	SHORT THIN	LONG THICK	NONE
91627-3012	91626-0205	CCT 2 & 4	NONE		NONE	2&3	OPEN	OPEN	NONE
91627-3013	91690-0025	NONE	NONE		1&2 4&5	NONE	SHORT THIN	LONG THICK	NONE
91627-3508	91690-0085	NONE	NONE		1&2 4&5	NONE	LONG THICK	OPEN	NONE
91627-3014	91626-0005	NONE	c e j		NONE	NONE	OPEN	OPEN	NONE
91627-3015	91626-0005	NONE	b c d e f g h i		NONE	NONE	OPEN	OPEN	NONE
91627-3016	91626-0005	NONE	a b c e f h i j		NONE	NONE	OPEN	OPEN	NONE
91627-3017	91626-0005	NONE	a b c d f g h i j		NONE	NONE	OPEN	OPEN	NONE

# 6 CIRCUIT

MOLEX PART NO.	MOLEX HOUSING NO.	TERMINAL VOID POSITION	REMOVED CODING KEYS	CONFIGURATION	LATCH BETWEEN	POLARIZING RIB BETWEEN	FIRST ENDWALL	LAST ENDWALL	COLOUR STRIPE
91627-4001	91626-0006	NONE	NONE		NONE	NONE	OPEN	OPEN	NONE
91627-4501	91690-2006	NONE	NONE		1&2	NONE	OPEN	OPEN	NONE
91627-4002	91626-2006	NONE	a b c d g h i j k l + b2 c2 d2 e2 f2 g2 h2 i2 j2 k2		NONE	NONE	OPEN	OPEN	NONE
91627-4502	91690-0306	NONE	NONE		1&2 5&6	3&4	OPEN	OPEN	NONE
91627-4003	91626-0006	NONE	a b c d e f g h i j k l		NONE	NONE	OPEN	OPEN	NONE
91627-4004	91626-0006	NONE	a l		NONE	NONE	OPEN	OPEN	NONE
91627-4503	91690-2526	NONE	NONE		1&2	5&6	SHORT THIN	LONG THICK	NONE
91627-4005	91626-0206	NONE	NONE		NONE	2&3	OPEN	OPEN	NONE
91627-4006	91626-0006	NONE	c d e h i j		NONE	NONE	OPEN	OPEN	NONE
91627-4007	91626-0006	NONE	a b e f g h k l		NONE	NONE	OPEN	OPEN	NONE
91627-4504	91690-0206	NONE	NONE		1&2 5&6	2&3	OPEN	OPEN	NONE
91627-4008	91626-0226	NONE	NONE		NONE	2&3	SHORT THIN	LONG THICK	NONE
91627-4507	91690-0026	NONE	NONE		1&2 5&6	NONE	SHORT THIN	LONG THICK	NONE
91627-4508	91690-0206	NONE	NONE		1&2 5&6	2&3	OPEN	OPEN	BLACK
91627-4509	91690-0066	NONE	NONE		1&2 5&6	NONE	OPEN	LONG THICK	NONE
91627-4009	91626-0006	NONE	b c d e f g h i j k		NONE	NONE	OPEN	OPEN	NONE
91627-4010	91626-0017	NONE	a b c d e f g h i j k l		NONE	NONE	LONG THICK	LONG THICK	NONE
91627-4011	91690-0026	CCT 6	NONE		1&2 5&6	NONE	SHORT THIN	LONG THICK	NONE
91627-4012	91626-2006	NONE	NONE		NONE	NONE	OPEN	OPEN	NONE
91627-4013	91626-2006	NONE	a b c d e f i j k l + b2 c2 d2 e2 f2 g2 h2 i2 j2 k2		NONE	NONE	OPEN	OPEN	NONE
91627-4014	91690-0226	NONE	NONE		1&2 5&6	2&3	SHORT THIN	LONG THICK	NONE
91627-4015	91636-0026	NONE	NONE		NONE	NONE	LONG THIN FLUSH OUTSIDE	LONG THIN FLUSH OUTSIDE	NONE
91627-4016	91636-0086	NONE	NONE		NONE	NONE	1.5MM HIGH	1.5MM HIGH	NONE
91627-4017	91690-0226	NONE	NONE		1&2 5&6	2&3	LONG THICK	LONG THICK	NONE
91627-4018	91626-0006	NONE	a d		NONE	NONE	OPEN	OPEN	NONE



THIS DRAWING CONTAINS INFORMATION THAT IS PROPRIETARY TO MOLEX ELECTRONIC TECHNOLOGIES, LLC AND SHOULD NOT BE USED WITHOUT WRITTEN PERMISSION

DIMENSION UNITS	SCALE	CURRENT REV DESC: UPDATED ENDWAL	
mm	1:1	J,K,L	
GENERAL TOLERANCES (UNLESS SPECIFIED)		<p><b>molex</b></p> <p>RAST PWR IDT CONN 5MM PITCH</p> <p>PRODUCT CUSTOMER DRAWING</p> <p>DOCUMENT NUMBER: <b>916270001</b>   DOC TYPE: PSD   DOC PART: 000   REVISION: G</p>	
ANGULAR TOL	± 2.0°		
4 PLACES	±		
3 PLACES	±		
2 PLACES	± 0.1		
1 PLACE	± 0.2	INITIAL REVISION:	
0 PLACES	±	DRWN: CFISHER01   2018/01/03	
DRAFT WHERE APPLICABLE MUST REMAIN WITHIN DIMENSIONS		APPR: BRUTTLE   2018/02/07	
THIRD ANGLE PROJECTION		DRAWING	SERIES
		A2-SIZE	91627
MATERIAL NUMBER		CUSTOMER	
SEE TABLES		GENERAL MARKET	
SHEET NUMBER		8 OF 11	

DOCUMENT STATUS	RV	RELEASE DATE
-----------------	----	--------------



7 CIRCUIT									
MOLEX PART NO.	MOLEX HOUSING NO.	TERMINAL VOID POSITION	REMOVED CODING KEYS	CONFIGURATION	LATCH BETWEEN	POLARIZING RIB BETWEEN	FIRST ENDWALL	LAST ENDWALL	COLOUR STRIPE
91627-5001	91626-0007	NONE	NONE		NONE	NONE	OPEN	OPEN	NONE
91627-5501	91690-2007	NONE	NONE		1&2	NONE	OPEN	OPEN	NONE
91627-5502	91690-0027	NONE	NONE		1&2 6&7	NONE	SHORT THIN	LONG THICK	NONE
91627-5002	91626-0007	NONE	bcdefghijklm		NONE	NONE	OPEN	OPEN	NONE
91627-5003	91626-0007	NONE	bcefgijkmn		NONE	NONE	OPEN	OPEN	ORANGE
91627-5004	91626-0007	NONE	cdghijk		NONE	NONE	OPEN	OPEN	NONE
91627-5503	91690-0307	NONE	NONE		1&2 6&7	3&4	OPEN	OPEN	NONE
91627-5504	91690-0007	NONE	NONE		1&2 6&7	NONE	OPEN	OPEN	NONE
91627-5005	91626-0007	NONE	abcdefghijklm		NONE	NONE	OPEN	OPEN	NONE
91627-5006	91626-0207	NONE	NONE		NONE	2&3	OPEN	OPEN	NONE
91627-5007	91626-2007	NONE	abcdefghijklm b2 c2 d2 e2 f2 g2 h2 i2 j2 k2 m2		NONE	NONE	OPEN	OPEN	NONE
91627-5008	91626-0007	NONE	cd efghijklm n		NONE	NONE	OPEN	OPEN	NONE
91627-5506	91690-0227	NONE	abcdefghijk lmn		1&2 6&7	2&3	SHORT THIN	LONG THICK	NONE
91627-5009	91626-0007	NONE	mn		NONE	NONE	OPEN	OPEN	NONE
91627-5010	91626-0007	NONE	NONE		NONE	NONE	OPEN	OPEN	GREEN
91627-5507	91690-0027	NONE	abcdefghijk lmn		1&2 6&7	NONE	SHORT THIN	LONG THICK	NONE
91627-5011	91626-0007	NONE	bcdefghijkl m		NONE	NONE	OPEN	OPEN	NONE
91627-5012	91626-0007	NONE	cdgijlmn		NONE	NONE	OPEN	OPEN	NONE
91627-5013	91626-0007	NONE	cdgijklmn		NONE	NONE	OPEN	OPEN	NONE
91627-5014	91626-0507	NONE	NONE		NONE	5&6	OPEN	OPEN	NONE
91627-5015	91626-0527	NONE	NONE		NONE	5&6	SHORT THIN	LONG THICK	NONE
91627-5016	91636-0087	NONE	NONE		NONE	NONE	1.5MM HIGH	1.5MM HIGH	NONE
91627-5017	91690-0227	NONE	NONE		1&2 6&7	2&3	SHORT THIN	LONG THICK	NONE

8 CIRCUIT									
MOLEX PART NO.	MOLEX HOUSING NO.	TERMINAL VOID POSITION	REMOVED CODING KEYS	CONFIGURATION	LATCH BETWEEN	POLARIZING RIB BETWEEN	FIRST ENDWALL	LAST ENDWALL	COLOUR STRIPE
91627-6001	91626-0008	NONE	NONE		NONE	NONE	OPEN	OPEN	NONE
91627-6501	91690-2008	NONE	NONE		1&2	NONE	OPEN	OPEN	NONE
91627-6502	91690-0308	NONE	NONE		1&2 7&8	3&4	OPEN	OPEN	NONE
91627-6002	91626-0208	NONE	NONE		NONE	2&3	OPEN	OPEN	NONE
91627-6003	91626-0019	NONE	abcdefghijk lmnop		NONE	NONE	LONG THICK	LONG THICK	NONE
91627-6004	91626-0419	NONE	NONE		NONE	4&5	LONG THICK	LONG THICK	NONE
91627-6005	91626-0008	NONE	bo		NONE	NONE	OPEN	OPEN	NONE
91627-6006	91626-0008	NONE	bcdefghijkl mno		NONE	NONE	OPEN	OPEN	NONE

PRE-RELEASE  
REFERENCE  
USE ONLY

THIS DRAWING CONTAINS INFORMATION THAT IS PROPRIETARY TO MOLEX ELECTRONIC TECHNOLOGIES, LLC AND SHOULD NOT BE USED WITHOUT WRITTEN PERMISSION									
DIMENSION UNITS	SCALE	CURRENT REV DESC: UPDATED ENDWAL J,K,L							
mm	1:1								
GENERAL TOLERANCES (UNLESS SPECIFIED)		EC NO: 614393			RAST PWR IDT CONN 5MM PITCH				
ANGULAR TOL ± 2.0°		DRWN: AKABADI 2019/03/22							
4 PLACES ±		CHK'D: TCLEARY 2019/03/28			PRODUCT CUSTOMER DRAWING				
3 PLACES ±		APPR:							
2 PLACES ± 0.1		INITIAL REVISION:			DOCUMENT NUMBER				
1 PLACE ± 0.2		DRWN: CFISHER01 2018/01/03							
0 PLACES ±		APPR: BRUTTLE 2018/02/07			916270001				
DRAFT WHERE APPLICABLE MUST REMAIN WITHIN DIMENSIONS		THIRD ANGLE PROJECTION	DRAWING	SERIES					
			A2-SIZE	91627	SEE TABLES	GENERAL MARKET	PSD	000	G
SHEET NUMBER		9 OF 11							

DOCUMENT STATUS	RV	RELEASE DATE
-----------------	----	--------------

9 CIRCUIT									
MOLEX PART NO.	MOLEX HOUSING NO.	TERMINAL VOID POSITION	REMOVED CODING KEYS	CONFIGURATION	LATCH BETWEEN	POLARIZING RIB BETWEEN	FIRST ENDWALL	LAST ENDWALL	COLOUR STRIPE
91627-7001	91626-0009	NONE	NONE		NONE	NONE	OPEN	OPEN	NONE
91627-7501	91690-2009	NONE	NONE		1&2	NONE	OPEN	OPEN	NONE
91627-7502	91690-0029	NONE	NONE		1&2 8&9	NONE	SHORT THIN	LONG THICK	NONE
91627-7503	91690-0029	NONE	abcdefghijkl lmnopqr		1&2 8&9	NONE	SHORT THIN	LONG THICK	NONE
91627-7002	91626-0009	NONE	abcdefghijkl lmnopqr		NONE	NONE	OPEN	OPEN	NONE
91627-7504	91690-2309	NONE	NONE		1&2	3&4	OPEN	OPEN	NONE
91627-7003	91626-0209	NONE	NONE		NONE	2&3	OPEN	OPEN	NONE
91627-7005	91626-0089	NONE	NONE		NONE	NONE	LONG THICK	OPEN	NONE
91627-7004	91626-0069	NONE	ALL		NONE	NONE	OPEN	LONG THICK	NONE
91627-7505	91690-0229	NONE	NONE		1&2 8&9	2&3	SHORT THIN	LONG THICK	NONE
91627-7506	91690-0209	NONE	NONE		1&2 8&9	2&3	OPEN	OPEN	NONE
91627-7507	91690-0309	NONE	NONE		1&2 8&9	3&4	OPEN	OPEN	NONE
91627-7006	91626-0020	NONE	abcdefghijkl lmnopqr		NONE	NONE	LONG THICK	LONG THICK	NONE
91627-7007	91626-0009	NONE	bcdefghijkl mnopq		NONE	NONE	OPEN	OPEN	NONE
91627-7509	91690-0220	NONE	NONE		1&2 8&9	2&3	LONG THICK	LONG THICK	NONE
91627-7510	91636-0729	NONE	NONE		NONE	7&8	LONG THIN FLUSH OUTSIDE	LONG THIN FLUSH OUTSIDE	NONE

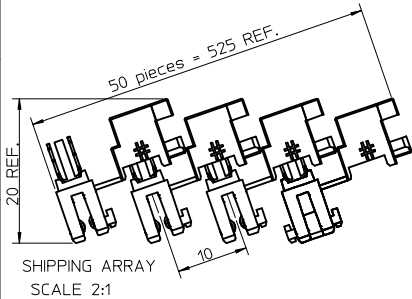
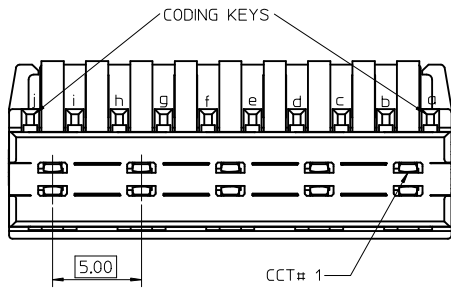
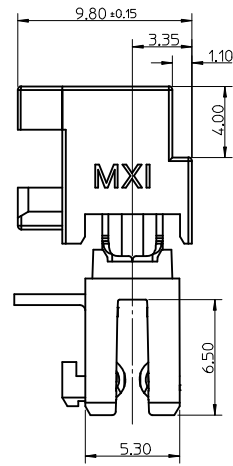
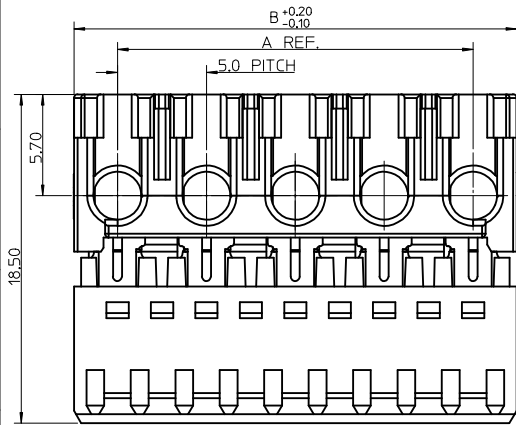
10 CIRCUIT									
MOLEX PART NO.	MOLEX HOUSING NO.	TERMINAL VOID POSITION	REMOVED CODING KEYS	CONFIGURATION	LATCH BETWEEN	POLARIZING RIB BETWEEN	FIRST ENDWALL	LAST ENDWALL	COLOUR STRIPE
91627-8001	91626-0010	NONE	NONE		NONE	NONE	OPEN	OPEN	NONE
91627-8501	91690-2010	NONE	NONE		1&2	NONE	OPEN	OPEN	NONE
91627-8002	91626-0110	NONE	NONE		NONE	1&2	OPEN	OPEN	NONE
91627-8003	91626-0310	NONE	NONE		NONE	3&4	OPEN	OPEN	NONE
91627-8004	91626-0090	NONE	NONE		NONE	NONE	LONG THICK	OPEN	NONE

PRE-RELEASE  
REFERENCE  
USE ONLY

THIS DRAWING CONTAINS INFORMATION THAT IS PROPRIETARY TO MOLEX ELECTRONIC TECHNOLOGIES, LLC AND SHOULD NOT BE USED WITHOUT WRITTEN PERMISSION									
DIMENSION UNITS <b>mm</b>	SCALE <b>1:1</b>	CURRENT REV DESC: UPDATED ENDWAL J,K,L							
GENERAL TOLERANCES (UNLESS SPECIFIED)		 <b>RAST PWR IDT CONN 5MM PITCH</b> PRODUCT CUSTOMER DRAWING							
ANGULAR TOL	± 2.0°								
4 PLACES	±								
3 PLACES	±								
2 PLACES	± 0.1								
1 PLACE	± 0.2	INITIAL REVISION:		DOCUMENT NUMBER					
0 PLACES	±	DRWN: CFISHER01		2018/01/03		2018/02/07		916270001	
DRAFT WHERE APPLICABLE MUST REMAIN WITHIN DIMENSIONS		THIRD ANGLE PROJECTION	DRAWING	SERIES	MATERIAL NUMBER	CUSTOMER	SHEET NUMBER		
			<b>A2-SIZE</b>	<b>91627</b>	SEE TABLES	GENERAL MARKET	10 OF 11		

DOCUMENT STATUS	RV	RELEASE DATE
-----------------	----	--------------





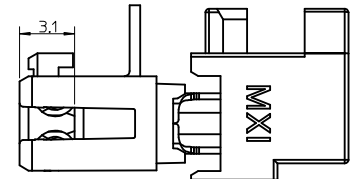
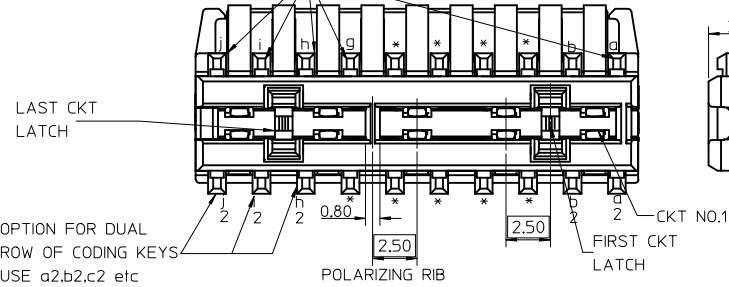
CKT	DIM A	DIM B	DIM C	DIM D
2	5	9.9	7.3	-
3	10	14.9	12.3	5
4	15	19.9	17.3	10
5	20	24.9	22.3	15
6	25	29.9	27.3	20
7	30	34.9	32.3	25
8	35	39.9	37.3	30
9	40	44.9	42.3	35
10	45	49.9	47.3	40
11	50	54.9	52.3	45
12	55	59.9	57.3	50

- NOTES:  
 1. MATERIAL: HOUSING: PA 6 V0 HWI  
 TERMINAL: PHOSPHOR BRONZE OR COPPER ALLOY  
 PLATING: TIN(6A) OR SILVER(10A)  
 2. PRODUCT SPECIFICATION: PS-91627-001  
 3. SEE SUBSEQUENT SHEETS FOR PART NUMBERING INFORMATION  
 4. LATCHES RECOMMENDED WHERE LOCKING VIA HEADER.  
 GUIDEFRAME OR COMPONENT ENCLOSURE IS NOT POSSIBLE.  
 5. APPLICATION SPECIFICATION: AS-91627-001  
 6. 2 & 3CCT LATCH VERSIONS WILL HAVE 1 SOLID LATCH  
 WERE APPLICABLE.  
 7. PACKAGING SPECIFICATION: PK-91627-001

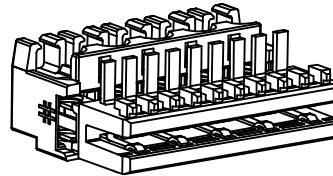
FOR POLARIZATION END WALL  
 OPTIONS SEE BELOW

STANDARD  
 ROW OF CODING KEYS

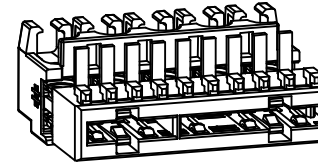
ADDITIONAL OPTIONS



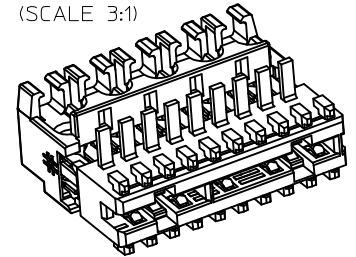
RECOMMENDED PCB LAYOUT FOR OPTIONS SHOWN (SCALE 3:1)



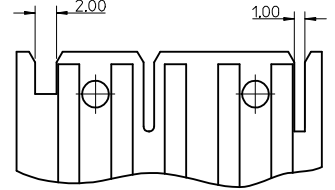
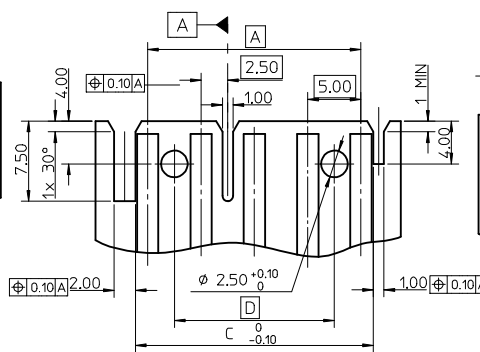
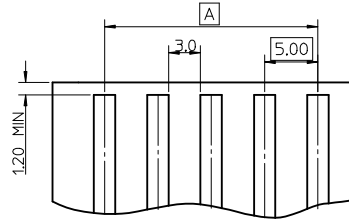
OPEN END WALL, NO POLARIZING RIB  
 STANDARD ROW OF KEYS



CLOSED END-WALL, POLARIZED  
 OPTION A, LATCHES AND RIB



CLOSED END-WALL, POLARIZED  
 OPTION B, LATCHES AND RIB  
 OPTIONAL 2ND ROW OF KEYS



Other combinations possible:

There may be one or two latches which can be positioned between 1st and 2nd ckt and/or between 2nd and last ckt.

The polarizing rib can be between any ckt.

There may be one end wall only which must be located at the larger ckt end as polarized option A (wider and taller end wall)

ADD COLOUR STRIPE EC NO: IPG2016-1136 DRAWN: J MURPHY 2016/02/18 CHKD: CHIKO APPR: NISHANATHAN 2016/02/24	QUALITY SYMBOLS =0 =0	GENERAL TOLERANCES (UNLESS SPECIFIED)	DIMENSION STYLE MM ONLY	SCALE 5:1	DESIGN UNITS METRIC	THIRD ANGLE PROJECTION	
	4 PLACES ± --- ± --- 3 PLACES ± --- ± --- 2 PLACES ± 0.10 ± --- 1 PLACE ± 0.2 ± --- ANGULAR ± 2 °	m/m INCH	DRAWN BY DATE B. RUTLE 2009/03/13	CHECKED BY DATE T. TOURISH 2009/03/13	TITLE RAST PWR IDT CONN 5MM PITCH V0 HWI	APPROVED BY DATE BMAGUIRE 2011/02/07	MATERIAL NO. SD-93322-001
DRAFT WHERE APPLICABLE MUST REMAIN WITHIN DIMENSIONS	SIZE A2	THIS DRAWING CONTAINS INFORMATION THAT IS PROPRIETARY TO MOLEX INCORPORATED AND SHOULD NOT BE USED WITHOUT WRITTEN PERMISSION				DOCUMENT NO. SD-93322-001	SHEET NO. 1 OF 2

2 CIRCUIT								
MOLEX PART NO.	MOLEX Housing No.	TERMINAL VOID POSITION	REMOVED CODING KEYS	CONFIGURATION	END WALLS	POLARIZING RB	LATCH	COLOUR STRIPE
93322-0001	93321-0002	NONE	NONE		OPEN	NONE	NONE	NONE
93322-0501	93323-2002	NONE	NONE		OPEN	NONE	BETWEEN CCT 1&2	NONE

6 CIRCUIT									
MOLEX PART NO.	MOLEX Housing No.	TERMINAL VOID POSITION	REMOVED CODING KEYS	CONFIGURATION	END WALLS	POLARIZING RB	LATCH	COLOUR STRIPE	
93322-4001	93321-0006	NONE	NONE		OPEN	NONE	NONE	NONE	
93322-4501	93323-2006	NONE	NONE		OPEN	NONE	BETWEEN CCT 1&2	NONE	

10 CIRCUIT									
MOLEX PART NO.	MOLEX Housing No.	TERMINAL VOID POSITION	REMOVED CODING KEYS	CONFIGURATION	END WALLS	POLARIZING RB	LATCH	COLOUR STRIPE	
93322-8001	93321-0010	NONE	NONE		OPEN	NONE	NONE	NONE	
93322-8501	93323-2010	NONE	NONE		OPEN	NONE	BETWEEN CCT 1&2	NONE	

3 CIRCUIT								
MOLEX PART NO.	MOLEX Housing No.	TERMINAL VOID POSITION	REMOVED CODING KEYS	CONFIGURATION	END WALLS	POLARIZING RB	LATCH	COLOUR STRIPE
93322-1001	93321-0003	NONE	NONE		OPEN	NONE	NONE	NONE
93322-1002	93321-0203	CKT 2	a		OPEN	2&3	NONE	NONE
93322-1501	93323-2003	NONE	NONE		OPEN	NONE	BETWEEN CCT 1&2	NONE
93322-1003	93321-0203	CKT 2	d		OPEN	2&3	NONE	BLACK

7 CIRCUIT									
MOLEX PART NO.	MOLEX Housing No.	TERMINAL VOID POSITION	REMOVED CODING KEYS	CONFIGURATION	END WALLS	POLARIZING RB	LATCH	COLOUR STRIPE	
93322-5001	93321-0007	NONE	NONE		OPEN	NONE	NONE	NONE	
93322-5501	93323-2007	NONE	NONE		OPEN	NONE	BETWEEN CCT 1&2	NONE	

4 CIRCUIT								
MOLEX PART NO.	MOLEX Housing No.	TERMINAL VOID POSITION	REMOVED CODING KEYS	CONFIGURATION	END WALLS	POLARIZING RB	LATCH	COLOUR STRIPE
93322-2001	93321-0004	NONE	NONE		OPEN	NONE	NONE	NONE
93322-2501	93323-2004	NONE	NONE		OPEN	NONE	BETWEEN CCT 1&2	NONE

8 CIRCUIT									
MOLEX PART NO.	MOLEX Housing No.	TERMINAL VOID POSITION	REMOVED CODING KEYS	CONFIGURATION	END WALLS	POLARIZING RB	LATCH	COLOUR STRIPE	
93322-6001	93321-0008	NONE	NONE		OPEN	NONE	NONE	NONE	
93322-6501	93323-2008	NONE	NONE		OPEN	NONE	BETWEEN CCT 1&2	NONE	

5 CIRCUIT								
MOLEX PART NO.	MOLEX Housing No.	TERMINAL VOID POSITION	REMOVED CODING KEYS	CONFIGURATION	END WALLS	POLARIZING RB	LATCH	COLOUR STRIPE
93322-3001	93321-0005	NONE	NONE		OPEN	NONE	NONE	NONE
93322-3501	93323-2005	NONE	NONE		OPEN	NONE	BETWEEN CCT 1&2	NONE

9 CIRCUIT									
MOLEX PART NO.	MOLEX Housing No.	TERMINAL VOID POSITION	REMOVED CODING KEYS	CONFIGURATION	END WALLS	POLARIZING RB	LATCH	COLOUR STRIPE	
93322-7001	93321-0009	NONE	NONE		OPEN	NONE	NONE	NONE	
93322-7501	93323-2009	NONE	NONE		OPEN	NONE	BETWEEN CCT 1&2	NONE	

NOTES:  
 1. FIRST CKT SIDE IS THE SIDE CLOSEST TO CKT 1  
 2. LAST CKT SIDE IS THE SIDE CLOSEST TO THE HIGHEST CKT SIDE

● - DENOTES TERMINAL POSITION LOADED  
 + - DENOTES TERMINAL POSITION VOIDED  
 1 - DENOTES POSITION OF POLARIZING RB  
 n - DENOTES POSITION OF LOCKING LATCH

SEE SHEET 1 EC NO: PG206-1136 TOWN: THIRUPATHI K. APPARASHANAH 20/06/07/16 20/06/07/16	QUALITY SYMBOLS ▽=0 ▽=0	GENERAL TOLERANCES (UNLESS SPECIFIED) 4 PLACES ±--- ±--- 3 PLACES ±--- ±--- 2 PLACES ±0.10 ±--- 1 PLACE ±0.2 ±--- ANGULAR ± 2 °	DIMENSION STYLE MM ONLY	SCALE 1:1	DESIGN UNITS METRIC	THIRD ANGLE PROJECTION	DRAWN BY D. RUTILE	DATE 2009/03/13	TITLE RAST PWR IDT CONN SMM PITCH VO HWI
	APPROVED BY B. MAGUIRE	DATE 2011/02/07	MATERIAL NO.	DOCUMENT NO.	SD-93322-001	SHEET NO. 2 OF 2	THIS DRAWING CONTAINS INFORMATION THAT IS PROPRIETARY TO MOLEX INCORPORATED AND SHOULD NOT BE USED WITHOUT WRITTEN PERMISSION		